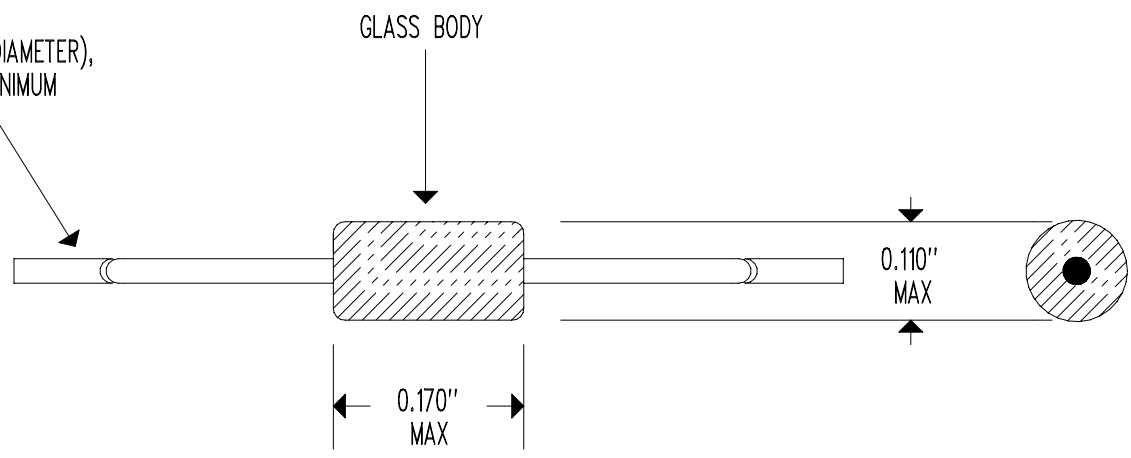


22 AWG (0.0256" ± 0.003" DIAMETER),  
TINNED CCS, 1.00" LONG MINIMUM



RESISTANCE @ +25°C = 20,000 Ω ± 10%  
 RESISTANCE TEMPERATURE CURVE = "R"  
 BETA "β" (0 TO +50°C) = 4,140°K NOMINAL  
 TEMPERATURE COEFFICIENT @ +25°C = -4.68%/°C NOMINAL  
 DISSIPATION CONSTANT = 3 mW/°C NOMINAL (STILL AIR)  
 THERMAL TIME CONSTANT = 8 SECONDS NOMINAL (STILL AIR)  
 THERMAL TIME CONSTANT = 2 SECONDS NOMINAL (STIRRED OIL)  
 MAXIMUM TEMPERATURE RATING = +300°C

SEE MANUFACTURING SPECIFICATION (LAYER 1)

---	ISO RELEASE	01/27/14	DD
"A"	LEAD WIRE WAS 20 AWG	01/27/14	DD
REV	REVISION RECORD	DATE	APP

SCALE NONE	© COPYRIGHT <b>U.S. SENSOR CORP.</b> 714-639-1000 www.ussensor.com <b>NTC THERMISTOR</b> <b>P/N 203RH1K</b>
DRAWN BY DAN DANKERT	
DATE 09/26/02	
REV "A"	
LAYER 0 OF 2	