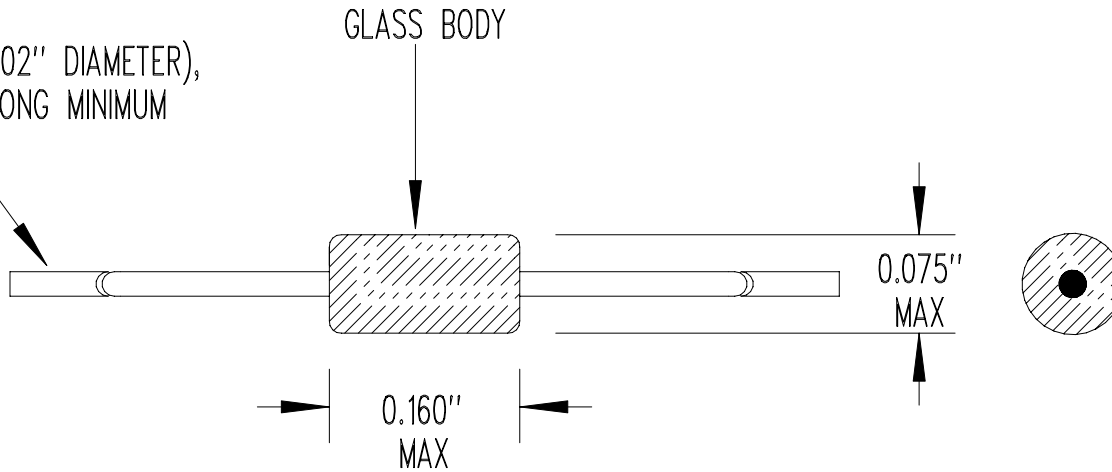


24 AWG (0.020" ± 0.002" DIAMETER),  
TINNED CCS, 1.00" LONG MINIMUM



RESISTANCE @ +25°C = 1,000 Ω ± 5%  
 RESISTANCE TEMPERATURE CURVE = "B"  
 BETA "β" (0 TO +50°C) = 2,941°K NOMINAL  
 TEMPERATURE COEFFICIENT @ +25°C = -3.31%/°C NOMINAL  
 DISSIPATION CONSTANT = 2 mW/°C NOMINAL (STILL AIR)  
 THERMAL TIME CONSTANT = 5 SECONDS NOMINAL (STILL AIR)  
 THERMAL TIME CONSTANT = 0.5 SECONDS NOMINAL (STIRRED OIL)  
 MAXIMUM OPERATING TEMPERATURE = +220°C

NONE	RELEASE TO PRODUCTION	08/11/03	DD
REV	REVISION RECORD	DATE	APP

SCALE	NONE	<b>U.S. SENSOR CORP.</b> 1832 W. COLLINS AVE. ORANGE, CA . 92867 714-639-1000 www.ussensor.com
DRAWN BY	DAN DANKERT	
DATE	08/11/03	
REV	NONE	
LAYER	0 OF 1	<b>NTC THERMISTOR</b>  <b>P/N 102BG1J</b>