

GTCX35-XXXM-R05 Series

Littelfuse Circuit Protection 5mm 3Pole GDTs (ceramic gas discharge tubes), are commonly used to help protect sensitive telecom equipment such as communication lines, signal lines and data transmission lines from damage caused by transient surge voltages that typically result from lightning strikes and equipment switching operations.

Littelfuse Circuit Protection GDTs offer a high level of surge protection, low capacitance and a broad array of breakover voltage levels, making them suitable for applications such as MDF (Main Distribution Frame) modules, high data-rate telecom applications (e.g. ADSL, VDSL), and surge protection on power lines. Littelfuse Circuit Protection GDTs can help equipment meet the most stringent regulatory standards.



Benefits:

- Compact, small form factor suitable for efficient assembly
- Helps provide overvoltage fault protection against high energy surges
- Suitable for high-frequency applications

Features:

- 3Pole, 5mm devices
- Broad voltage range from 75V-600V
- Various form factors: surface-mount, leaded, no leads
- Optional fail-short mechanism on some devices
- Low capacitance and insertion loss
- Crowbar overvoltage protection
- UL 497B recognized
- RoHS compliant
- Devices tested per ITU K.12 recommendations
- Non-radioactive materials

Applications:

- Telecommunications
 - MDF modules, xDSL equipment, RF system protection, antenna, base station
- Industrial and consumer electronics, such as
 - Surge protectors
 - Alarm system

Gas Discharge Tubes

GTCX35-XXXM-R05 Series

Device Voltage Ratings and Part Marking

Part Number	DC Sparkover	Impulse Sparkover		DC Holdover Voltage	On-State Voltage
	@100V/s ±20% Tolerance (V)	@100 V μ s (V)	@1000 V μ s (V)	Per ITU K.12 (<150ms) (V)	Nominal (@ 1A) (V)
GTCX35-750M-R05	75	450	550	<52	20
GTCX35-900M-R05	90	450	550	<52	20
GTCX35-141M-R05	140	500	600	<80	20
GTCX35-151M-R05	150	500	600	<80	20
GTCX35-201M-R05	200	600	700	<135	20
GTCX35-231M-R05	230	600	700	<135	20
GTCX35-251M-R05	250	600	700	<135	20
GTCX35-261M-R05	260	700	800	<135	20
GTCX35-301M-R05	300	800	900	<150	20
GTCX35-351M-R05	350	900	1000	<150	20
GTCX35-401M-R05	400	900	1000	<150	20
GTCX35-421M-R05	420	900	1000	<150	20
GTCX35-471M-R05	470	1050	1150	<150	20
GTCX35-501M-R05	500	1100	1200	<150	20
GTCX35-551M-R05	550	1300	1400	<150	20
GTCX35-601M-R05	600	1300	1400	<150	20

Device Surge Rating, Capacitance, Insulation Resistance, UL

Part Number	Impulse Discharge Current	Impulse Life	AC Discharge Current (1sec duration; 10 hits)	Capacitance	Insulation Resistance	UL Rating
	8x20 μ s 10 hits	10x1000 μ s 300 hits	@50 Hz	@1Mhz	@100V*	UL497B #E179610
GTCx35-xxxM-R05	5kA	100A	5Arms	<1pF	10,000 (M Ω)	All Devices

* Devices <=150V measured @ 50V
 Devices >= 500V measured @ 250V

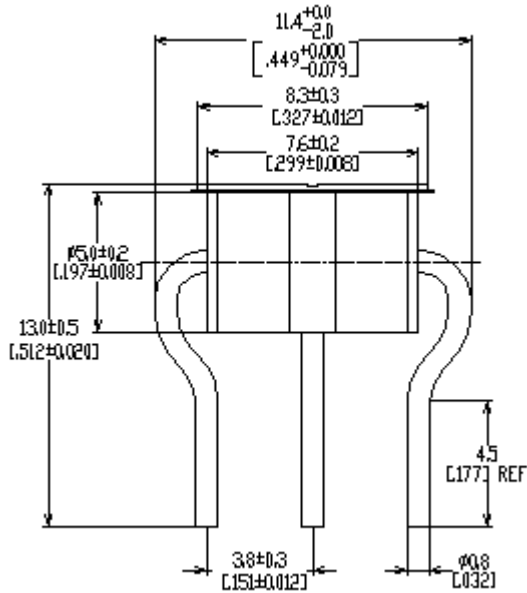
Gas Discharge Tubes

GTCX35-XXXM-R05 Series

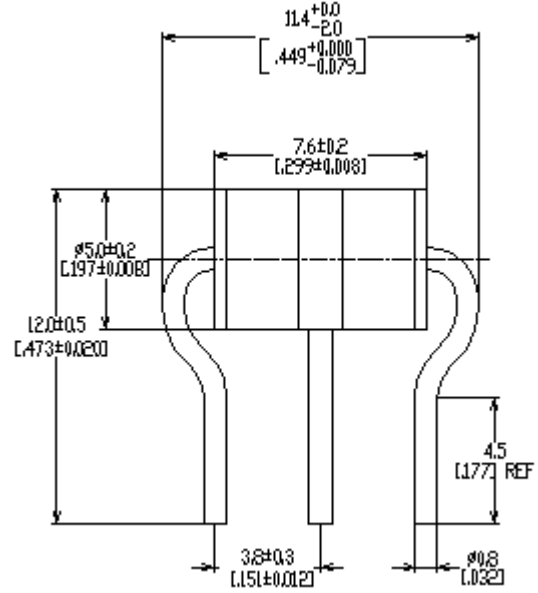
Product Dimensions

DIMENSIONS = MILLIMETERS [INCHES]

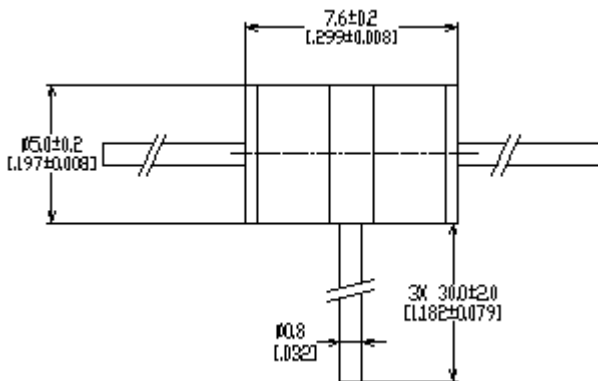
Axial Leaded (GTCA35-XXXM-R05-FT)



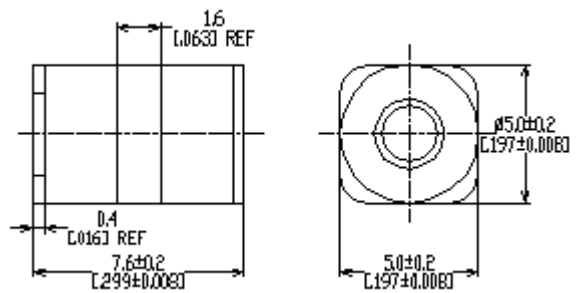
Axial Leaded (GTCA35-XXXM-R05)



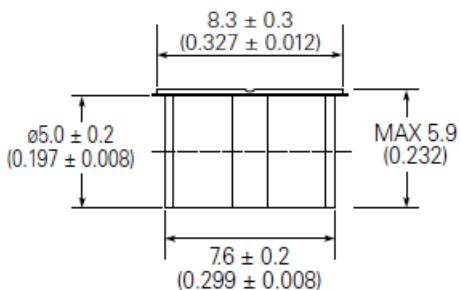
“T” Leaded (GTCT35-XXXM-R05)



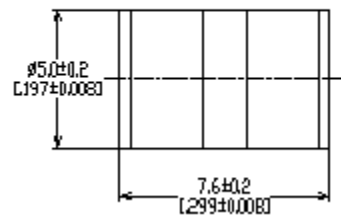
Surface-mount (GTCS35-XXXM-R05)



No Leads with -FT (GTCN35-XXXM-R05-FT)



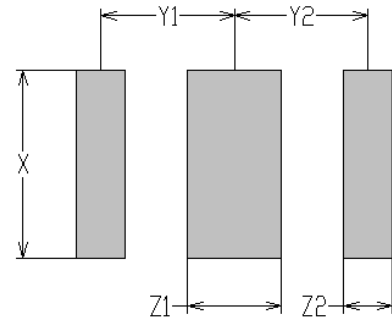
No Leads (GTCN35XXXM-R05)



GTCX35-XXXM-R05 Series

Pad Layout – Surface-mount Devices

	X	Y1	Y2	Z1	Z2
	NOM	NOM	NOM	NOM	NOM
mm:	6.0	3.6	3.6	2.5	1.3
in*:	(0.236)	(0.142)	(0.142)	(0.098)	(0.051)



General Characteristics

No Radioactive Material

Storage Temperature: -40°C to +90°C

Operating Temperature: -40°C to +90°C

Body: Nickel Plated

Leads: Surface-mount, “T” and Axial Devices: Tin Plated

Devices with no leads: Nickel Plated

Soldering Notes: Devices with no leads: non-solderable; suitable for insertion into a magazine clip

Materials Information

RoHS Compliant

ELV Compliant

Directive 2002/95/EC
Compliant

Directive 2000/53/EC
Compliant

Packaging Information

Part Description

No Leaded: GTCN35-XXXM-R05

With Leads: GTCA35-XXXM-R05/GTCT35-XXXM-R05

Surface-mount (T&R): GTCS35-XXXM-R05-2

Tray / Reel

100 pcs (Tray)

100 pcs (Tray)

1,000 pcs (Reel)

Standard Package

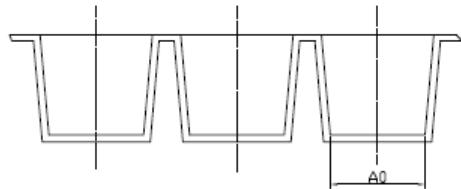
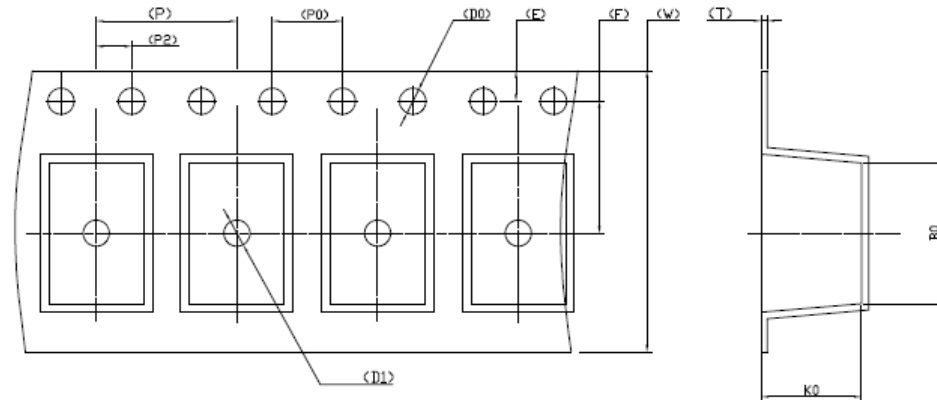
2,500 pcs

1,000 pcs

8,000 pcs

GTCX35-XXXM-R05 Series

Tape and Reel Specification



W	16.00±0.30	P	8.00±0.10	A0	5.40±0.10	B0	8.00±0.10
		P0	4.00±0.10				
E	1.75±0.10	P2	2.00±0.10				
F	7.50±0.10	D0	∅1.50 ^{+0.10} ₀	K0	5.70±0.10		
T	0.50±0.05	D1	∅1.50 MIN	K1			COLOR : B

Part Numbering System

Example Part Number: GTCX35-351M-R05-FT

- GT = Gas Tube
- C = Ceramic
- X = Lead Configuration: **N**= No leads; **A**= Axial Leads; **S**= Surface-mount; **T**= T Configuration Leads
- 3 = 3 Electrode device
- 5 = 5mm Diameter
- 351 = DC Spark Over Voltage of 350V (at 100V/s)
- M = Tolerance of 20% on DC Spark Over Voltage
- R = Product Family Designator
- 05 = Surge rating: 8x20µs 5kA 10 times
- FT = With Fail-Short mechanism
- 2 = Tape and Reel

GTCX35-XXXM-R05 Series

Part Marking Reference

Example Part Marking: **XX 35 R05 GN**

XX =	Manufacturer's Mark
35 =	Voltage Designator (35 = 350V)
R05 =	Product Family Designator + Surge Current 5kA (8x20µs 10 hits)
GN =	Year and Week of Manufacture

Littelfuse products are not designed for, and shall not be used for, any purpose (including, without limitation, automotive, military, aerospace, medical, life-saving, life-sustaining or nuclear facility applications, devices intended for surgical implant into the body, or any other application in which the failure or lack of desired operation of the product may result in personal injury, death, or property damage) other than those expressly set forth in applicable Littelfuse product documentation. Warranties granted by Littelfuse shall be deemed void for products used for any purpose not expressly set forth in applicable Littelfuse documentation. Littelfuse shall not be liable for any claims or damages arising out of products used in applications not expressly intended by Littelfuse as set forth in applicable Littelfuse documentation. The sale and use of Littelfuse products is subject to Littelfuse Terms and Conditions of Sale, unless otherwise agreed by Littelfuse.