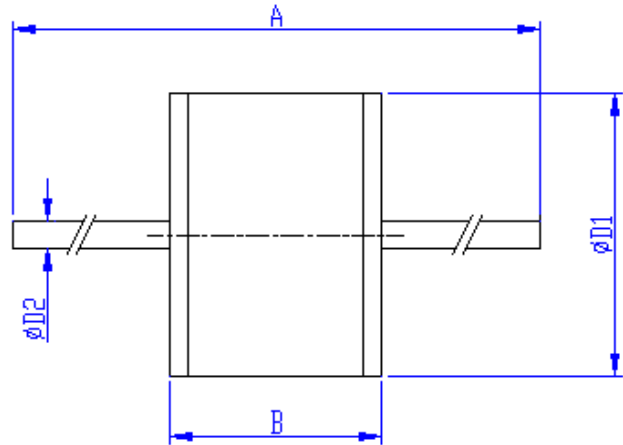
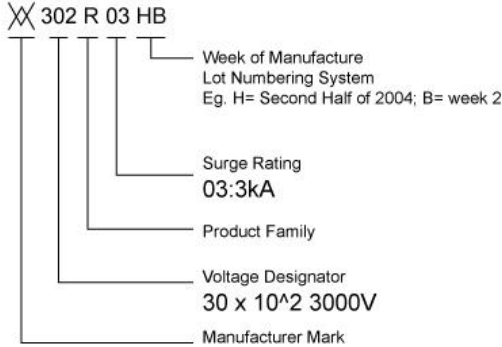


**Specification Status: Released**

**Marking:**



**TABLE I. DIMENSIONS:**

A		B		D1		D2
MIN	MAX	MIN	MAX	MIN	MAX	NOM
58.0	66.0	5.8	6.2	7.8	8.2	0.8
(2.28)	(2.60)	(0.23)	(0.24)	(0.31)	(0.32)	(0.03)

mm  
in\*

\*Rounded off approximation

**TABLE II. ELECTRICAL CHARACTERISTICS:**

DC Sparkover Voltage	Impulse Sparkover Voltage	Insulation Resistance	Capacitance	AC Discharge Current, 50 Hz		Impulse Discharge Current 8/20µs	
				Multiple Hits (1s duration: 10 hits)	Single hit, 9 cycles	10 hits (5hits for each polarity)	1hit
@100V/s	@100V/µs	@1,000V <sub>DC</sub>	@1MHz	1A	5A	3kA	10kA
3000V ± 20%	≤4000V	≥ 10,000MΩ	≤1.0pF				

**General Characteristics:**

No Radioactive Materials  
Storage temperature: -40°C ... +90°C  
Operating temperature: -40°C ... +90°C  
Electrode: Fe-Ni alloy, Ni plated  
Lead: Sn plated Copper

Agency Recognitions: UL1449 (File# E332226)  
Precedence: This specification takes precedence over documents referenced herein  
Effectivity: Reference documents shall be the issue in effect on the date of invitation for bid  
CAUTION: Operation beyond the rated voltage or current may result in rupture, electrical arcing or flame

**Materials Information**

**ROHS Compliant**

Directive 2002/95/EC  
Compliant

**ELV Compliant**

Directive 2000/53/EC  
Compliant



Expertise Applied | Answers Delivered

## Gas Discharge Tube

Over-Voltage Protection Device

**PRODUCT: GTCA28-302M-R03**

DOCUMENT: SCD27870  
REV LETTER: C  
REV DATE: JULY 26, 2016  
PAGE NO.: 2 OF 2

Information furnished is believed to be accurate and reliable. However, users should independently evaluate the suitability of and test each product selected for their own applications. Littelfuse products are not designed for, and shall not be used for, any purpose (including, without limitation, military, aerospace, medical, lifesaving, life-sustaining or nuclear facility applications, devices intended for surgical implant into the body, or any other application in which the failure or lack of desired operation of the product may result in personal injury, death, or property damage) other than those expressly set forth in applicable Littelfuse product documentation. Warranties granted by Littelfuse shall be deemed void for products used for any purpose not expressly set forth in applicable Littelfuse documentation. Littelfuse shall not be liable for any claims or damages arising out of products used in applications not expressly intended by Littelfuse as set forth in applicable Littelfuse documentation. The sale and use of Littelfuse products is subject to Littelfuse Terms and Conditions of Sale, unless otherwise agreed by Littelfuse.