



Expertise Applied | Answers Delivered

# Gas Discharge Tube

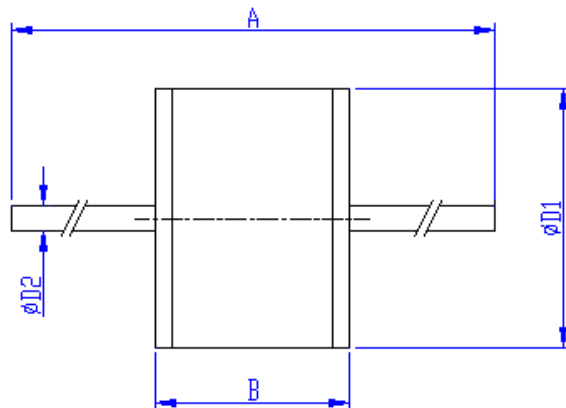
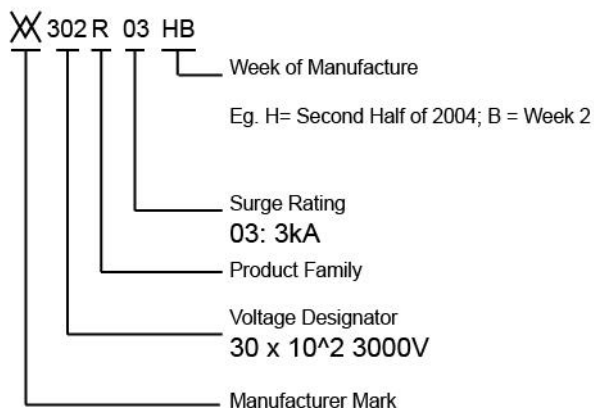
Over-Voltage Protection Device

**PRODUCT: GTCA28-302M-R03-2**

DOCUMENT: SCD29071  
 REV LETTER: A  
 REV DATE: JULY 26, 2016  
 PAGE NO.: 1 OF 3

## Specification Status: Released

### Marking:



**TABLE I. DIMENSIONS:**

	A		B		D1		D2
	MIN	MAX	MIN	MAX	MIN	MAX	NOM
mm	58.0	66.0	5.8	6.2	7.8	8.2	0.8
in*	(2.28)	(2.60)	(0.23)	(0.24)	(0.31)	(0.32)	(0.03)

\*Rounded off approximation

**TABLE II. ELECTRICAL CHARACTERISTICS:**

DC Sparkover Voltage	Impulse Sparkover Voltage	Insulation Resistance	Capacitance	AC Discharge Current, 50 Hz		Impulse Discharge Current 8/20µs	
				Multiple Hits (1s duration: 10 hits)	Single hit, 9 cycles	10 hits (5hits for each polarity)	1hit
@100V/s 3000V ± 20%	@100V/µs ≤4000V	@1,000V <sub>DC</sub> ≥ 10,000MΩ	@1MHz ≤1.0pF	1A	5A	3kA	10kA

### General Characteristics:

- No Radioactive Materials
- Storage temperature: -40°C ... +90°C
- Operating temperature: -40°C ... +90°C
- Electrode: Fe-Ni alloy, Ni plated
- Lead: Sn Plated Copper



Expertise Applied | Answers Delivered

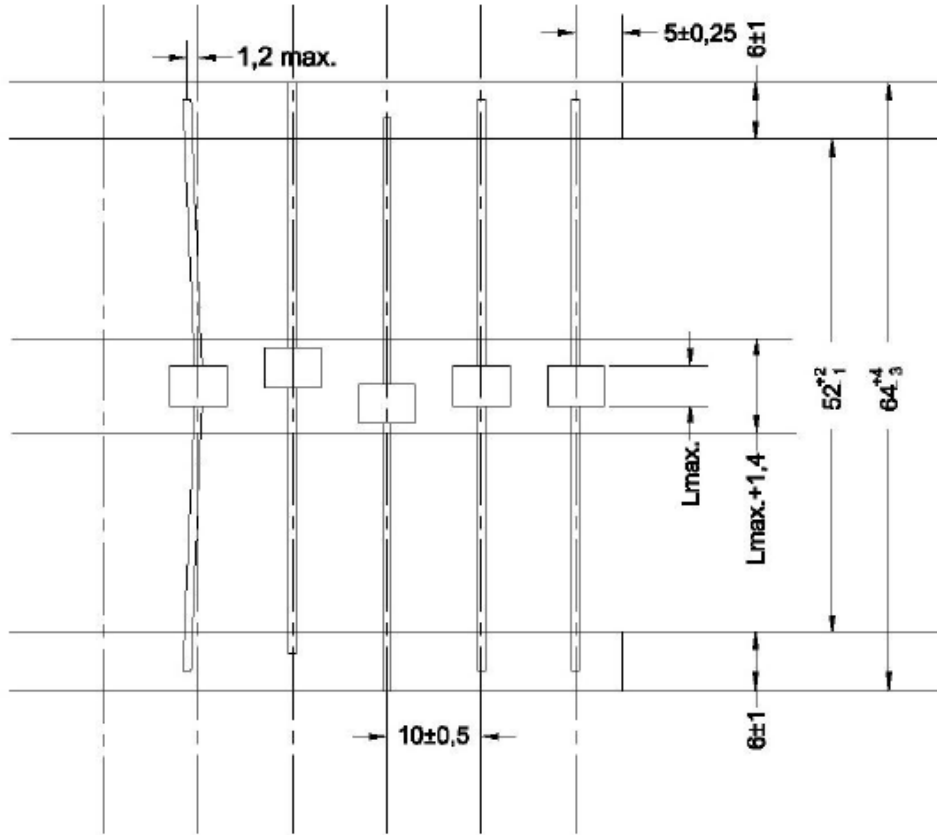
# Gas Discharge Tube

Over-Voltage Protection Device

PRODUCT: GTCA28-302M-R03-2

DOCUMENT: SCD29071  
REV LETTER: A  
REV DATE: JULY 26, 2016  
PAGE NO.: 2 OF 3

## Packaging Information (unit: mm):



## Packaging Quantity:

REEL	STANDARD PACKAGE
250PCS	1,000PCS

Agency Recognitions:

UL1449 Recognized (File# E332226)

Precedence:

This specification takes precedence over documents referenced herein

Effectivity:

Reference documents shall be the issue in effect on the date of invitation for bid

CAUTION:

Operation beyond the rated voltage or current may result in rupture, electrical arcing or flame

## Materials Information

ROHS Compliant

Directive 2002/95/EC  
Compliant

ELV Compliant

Directive 2000/53/EC  
Compliant

Pb-Free





Expertise Applied | Answers Delivered

## Gas Discharge Tube

Over-Voltage Protection Device

**PRODUCT: GTCA28-302M-R03-2**

DOCUMENT: SCD29071  
REV LETTER: A  
REV DATE: JULY 26, 2016  
PAGE NO.: 3 OF 3

Littelfuse products are not designed for, and shall not be used for, any purpose (including, without limitation, automotive, military, aerospace, medical, life-saving, life-sustaining, nuclear facility applications, devices intended for surgical implant into the body, or any other application in which the failure or lack of desired operation of the product may result in personal injury, death, or property damage) other than those expressly set forth in applicable Littelfuse product documentation. Warranties granted by Littelfuse shall be deemed void for products used for any purpose not expressly set forth in applicable Littelfuse documentation. Littelfuse shall not be liable for any claims or damages arising out of products used in applications not expressly intended by Littelfuse as set forth in applicable Littelfuse documentation. The sale and use of Littelfuse products is subject to Littelfuse Terms and Conditions of Sale, unless otherwise agreed by Littelfuse.