

Specification Status: Released

Marking:

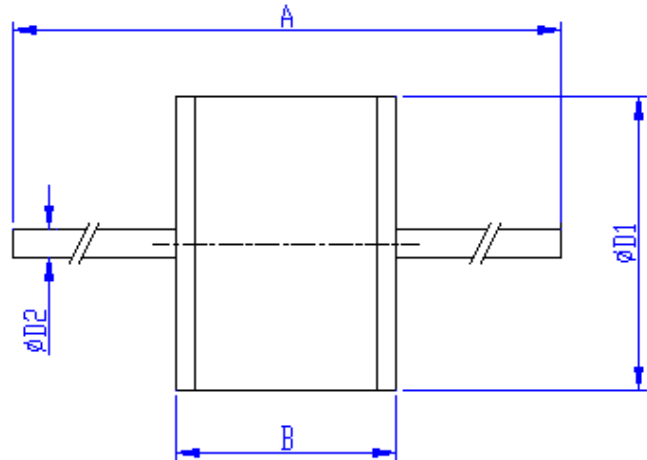
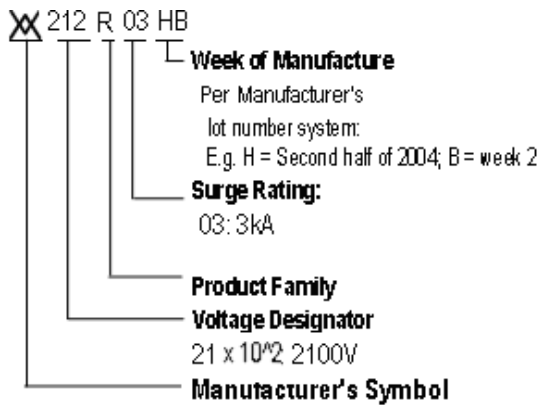


TABLE I. DIMENSIONS:

	A		B		D1		D2
	MIN	MAX	MIN	MAX	MIN	MAX	NOM
mm	58.0	66.0	5.8	6.2	7.8	8.2	0.8
in*	(2.28)	(2.60)	(0.23)	(0.24)	(0.31)	(0.32)	(0.03)

*Rounded off approximation

TABLE II. ELECTRICAL CHARACTERISTICS:

DC Sparkover Voltage	Impulse Sparkover Voltage	Insulation Resistance	Capacitance	AC Discharge Current, 50 Hz		Impulse Discharge Current, 8/20 μ s	
				Multiple Hits (1s duration: 10 hits)	Single hit, 9 cycles	10 hits (5hits for each polarity)	1hit
@ 100V/s	@100V/ μ s	@500V _{DC}	@1MHz	1A	5A	3kA	10kA
2100V \pm 20%	\leq 2, 700V	\geq 10,000M Ω	<1.0pF				

General Characteristics:

No Radioactive Materials

Storage temperature: -40°C ... +90°C

Operating temperature: -40°C ... +90°C

Electrode: Fe-Ni alloy, Ni plated

Lead: Sn Plated Copper

Agency Recognitions: UL1449 Recognized (File# E332226)

Precedence: This specification takes precedence over documents referenced herein

Effectivity: Reference documents shall be the issue in effect on the date of invitation for bid

CAUTION: Operation beyond the rated voltage or current may result in rupture, electrical arcing or flame

Materials Information

ROHS Compliant

ELV Compliant

Pb-Free

Directive 2002/95/EC Compliant

Directive 2000/53/EC Compliant



Gas Discharge Tube

Over-Voltage Protection Device

PRODUCT: GTCA28-212M-R03

DOCUMENT: SCD28002
REV LETTER: C
REV DATE: JULY 26, 2016
PAGE NO.: 2 OF 2

Littelfuse products are not designed for, and shall not be used for, any purpose (including, without limitation, automotive, military, aerospace, medical, life-saving, life-sustaining or nuclear facility applications, devices intended for surgical implant into the body, or any other application in which the failure or lack of desired operation of the product may result in personal injury, death, or property damage) other than those expressly set forth in applicable Littelfuse product documentation. Warranties granted by Littelfuse shall be deemed void for products used for any purpose not expressly set forth in applicable Littelfuse documentation. Littelfuse shall not be liable for any claims or damages arising out of products used in applications not expressly intended by Littelfuse as set forth in applicable Littelfuse documentation. The sale and use of Littelfuse products is subject to Littelfuse Terms and Conditions of Sale, unless otherwise agreed by Littelfuse.