

FUSE BASE FOR FUSE STRIPS RATED 80V FOR SINGLE

RoHS



Specifications

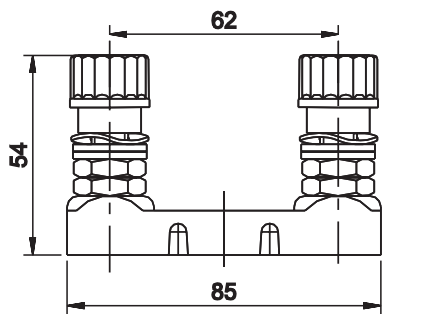
Base Material:	Insulation according to DIN 7708/1 Spring washer according to DIN 137 Hexagon nuts according to DIN 439 Washer according to DIN 125
Conducting Materials:	Copper wrought alloy
Operating Temp:	-40°C to +85°C
Maximum Torque:	35-63A: 5 Nm maximum torque 80-100A: 8 Nm maximum torque 125A-425A: 10 Nm maximum torque
Color:	Black

Description

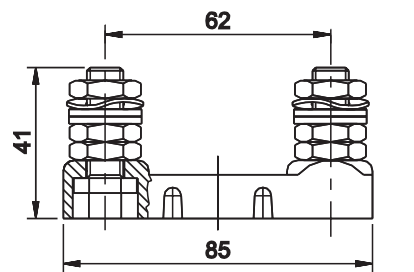
Fuse base for fuse strips with 62 mm spacing. Up to 80V.

Dimensions

Dimensions in mm



177.5701.0001



177.5731.0001

Ordering Information

PART NUMBER	DESCRIPTION	PACKAGE SIZE	MAXIMUM AMPERAGE RATING
177.5701.0001	Fuse Base with Insulating Nuts	10	max. 425A
177.5731.0001	Fuse Base with Hex Nuts	10	max. 425A

FUSE BASE FOR FUSE STRIPS RATED 80V FOR DOUBLE

RoHS



Specifications

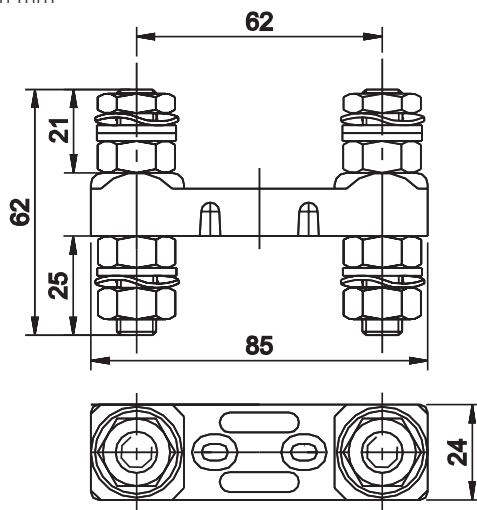
Base Material:	Insulation according to DIN 7708/1 Spring washer according to DIN 137 Hexagon nuts according to DIN 934 Washer according to DIN 125
Conducting Materials:	Copper wrought alloy
Operating Temp:	-40°C to +85°C
Maximum Torque:	35-63A: 5 Nm maximum torque 80-100A: 8 Nm maximum torque 125A-250A: 10 Nm maximum torque
Color:	Black

Description

Fuse base for fuse strips with 62 mm spacing.
The stud is electrically conductive and not insulated with potting material.

Dimensions

Dimensions in mm



177.5741.0001

Ordering Information

PART NUMBER	DESCRIPTION	PACKAGE SIZE	MAXIMUM AMPERAGE RATING
177.5741.0001	Double Fuse Base with Hex Nuts	10	max. 250A