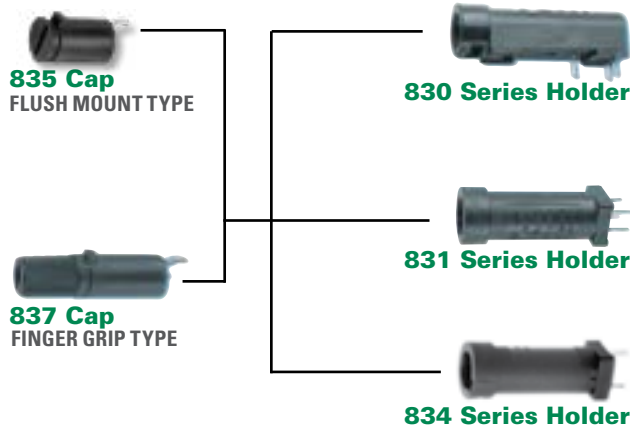
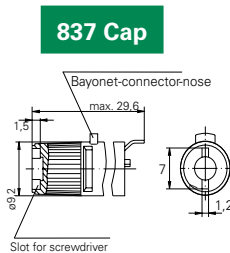
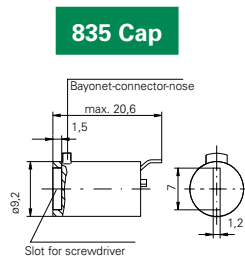
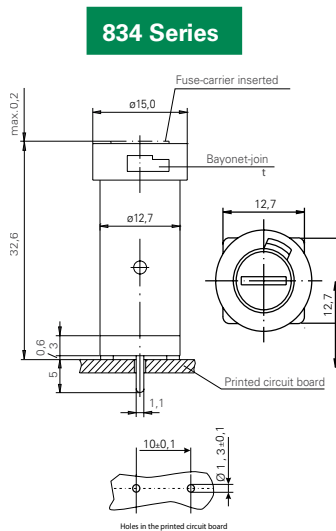
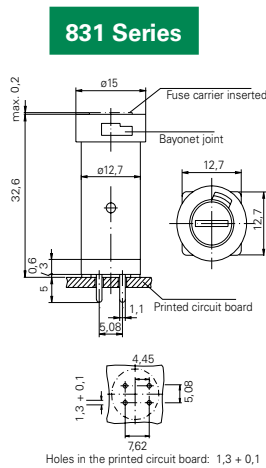
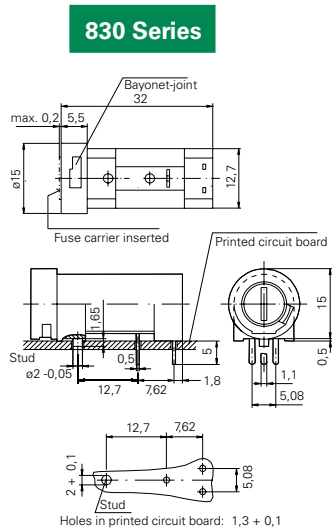


830/831/834 Series Circuit Board Mount Enclosed Fuseholders



Product Dimensions (mm)






Product Characteristics

	830 Series	831 Series	834 Series
Compatible Fuse Types	5x20 mm		
Materials	Holder/Cap: Black Thermoplastic, UL94 V-0 Metal Parts: Copper alloy, corrosion protected Terminals: Solderable, tinned		
Electrical Data (23 °C)	Rated Voltage: 250 V Rated Current: 6.3 A (VDE) 16 A (UL/CSA)		
Rated Power:	1.6 W (VDE)	2.5 W (VDE)	2.5 W
Mounting	(3) Solder pins 0.5 mm×1.1 mm and plastic stud. The pins spaced at 5.08 mm form a common connection.	(4) Solder pins 0.5 mm×1.1 mm The pins spaced at 5.08 mm form a common connection.	(2) Solder pins 0.5 mm×1.1 mm
Ingress Protection and Category	IP 40 (IEC 60529) PC2 (IEC 60127-6)		
Operating Temperature*	-25 °C to 70 °C		
Climatic Test	-25 °C/+70 °C/21 days (IEC 60068-2-1...3)		
Stock Conditions	+10 °C to +60 °C relative humidity ≤ 75% yearly average, without dew, maximum value for 30 days - 95%		
Vibration Resistance	24 cycles at 15 min. each (IEC 60068-2-6) 10–60 Hz at 0.75 mm amplitude 60–2000 Hz at 10g acceleration		
Contact Resistance	≤ 5 mΩ		
Dielectric Strength	> 1.5 kV		
Impulse Voltage	4 kV, 50 Hz, 1 min., dry		4 kV with 1,2 μs/50 μs
Insulation Resistance	> 10 ³ MΩ (500 VDC, 1 min.)		
Solderability	235 °C, 3 sec. (Wave) 350 °C, 1 sec. (Soldering Iron)		235 °C, 2 sec. (Soldering bath) (IEC 60068-2-20) 350 °C, 3 sec. (Soldering Iron) (IEC 60068-2-20)
Soldering Heat Resistance	260 °C, 5 sec. (IEC 60068-2-20)		260 °C, 5 sec. (Soldering bath) (IEC 60068-2-20)
Minimum Cross Section	Conducting path - 0.2mm ²		
Marking	830, 250 V, Approvals	831, 250 V, Approvals	834, 250 V, Approvals
Unit Weight	4.4 g (Holder) / 1.6 g (835) / 2.2 g (837)	4.1 g (Holder) / 1.6 g (835) / 2.2 g (837)	3.5 g (834)/1,6 g (835)/2,2 g (837)

* Refer to [Fuseology](#) for information on proper fuseholder re-rating.

Agency Approval

Agency	Agency File/Certificate Number		
	830 Series	831 Series	834 Series
	120623	123441	6913
	E70164		
	47574		

Ordering Information

Ordering PN	Description	Packaging
Fuseholder		
83000000005	ACS 5x20 mm Fuseholder 830 Series for 250 V	Bulk/100 pcs
83100000005	ACS 5x20 mm Fuseholder 831 Series for 250 V	Bulk/100 pcs
83400000005	ACS 5x20 mm Fuseholder 834 Series for 250 V	Bulk/100 pcs
Fuseholder Cap		
83500000005	ACS 5x20 mm Fuseholder CAP 835 Series	Bulk/100 pcs
83700000005	ACS 5x20 mm Fuseholder CAP 837 Series	Bulk/100 pcs

Additional Information



Datasheet
830 Series



Datasheet
831 Series



Datasheet
834 Series



Resources
830 Series



Resources
831 Series



Resources
834 Series



Samples
830 Series



Samples
831 Series



Samples
834 Series