

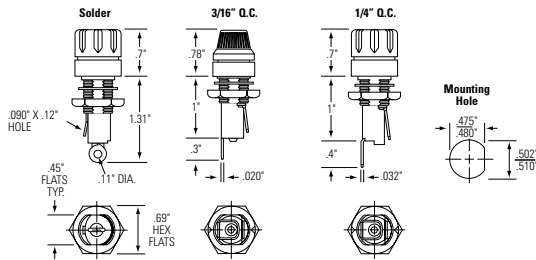
# 342 Series

## Panel Mount Enclosed Fuseholders for 3AG/AB Fuses

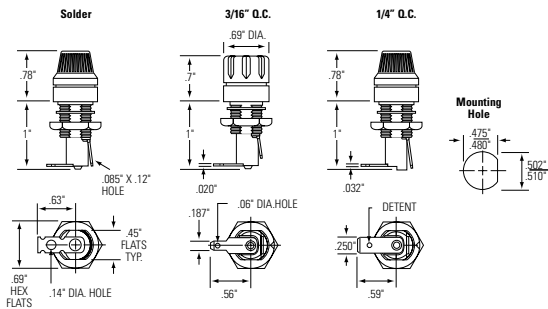


### Dimensions

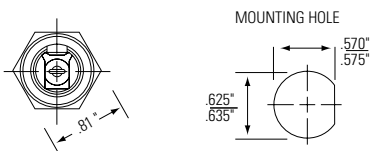
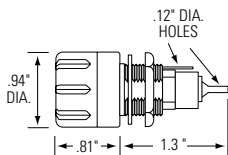
General Application / Straight Terminal Product Dimensions



General Application / Right Angle Terminal Product Dimensions



Watertight Product Dimensions



### Product Characteristics

|                                     | General Application Products  | Watertight Product   |
|-------------------------------------|---|--|
| <b>Compatible Fuses</b>             | 3AG/AB  |  |
| <b>Electrical</b>                   | Rated at 20 amperes for any voltage up to 250   |  |
| <b>Ambient Temperature</b>          | -40°C to +85°C  |  |
| <b>Dielectric Strength</b>          | 2400 volts minimum  | 1500 volts minimum   |
| <b>Mounting</b>                     | Withstands 15 lb.-in. mounting torque; maximum panel thickness: .187"                       | Withstands 15 lb.-in. mounting torque; maximum panel thickness is .250"            |
| <b>Molded Parts</b>                 | Black thermoplastic (UL94 V-0)  | Black thermoset (UL94 V-0)   |
| <b>Seal</b>                         | Neoprene washer provide drip-proof protection on the front side of the panel (upon request) | O-ring provides a watertight seal on the front side of the panel per MIL-PRF-19207 |
| <b>Terminals</b>                    | Copper & copper alloy. Tin plated, except ¼" Quick-Connect terminals are nickel plated      | Copper & copper alloy. Tin plated  |
| <b>Hardware</b>                     | Comes with a mounting nut and neoprene washer   | O-rings (2) and hex nut, unassembled   |
| <b>Ingression Protection Rating</b> | IP40  | IP67   |

### Agency Approvals

| Agency | Agency File Number     |
|--------|------------------------|
|        | E14721                 |
|        | 7316 (*Except 342 006) |

### Ordering Information

| Body Terminal Type                  |            | Catalog Number |                |
|-------------------------------------|------------|----------------|----------------|
| Angle                               | Connect    | Fluted Knob    | Knurled Knob   |
| <b>General Application Products</b> |            |                |                |
| Straight                            | Solder     | 342 014        | 342 012        |
|                                     | 3/16" Q.C. | 342 038        | 342 058        |
|                                     | 1/4" Q.C.  | 342 838        | 342 858        |
| Right Angle                         | Solder     | 342 004        | 342 022        |
|                                     | 3/16" Q.C. | 342 028        | 342 048        |
|                                     | 1/4" Q.C.  | 342 828        | 342 848        |
| <b>Watertight Product</b>           |            |                |                |
| Straight                            | Solder     | 342 006 *      | Not Applicable |

Note: Refer to Fuseology for information on proper fuseholder re-rating.

### Additional Information



Resources



Accessories



Samples

**Disclaimer Notice** - Information furnished is believed to be accurate and reliable. However, users should independently evaluate the suitability of and test each product selected for their own applications. Littelfuse products are not designed for, and may not be used in, all applications. Read complete Disclaimer Notice at: [www.littelfuse.com/disclaimer-electronics](http://www.littelfuse.com/disclaimer-electronics).