

473 Series

PICO® II Slo-Blo® Fuse



Description

The PICO® II Slo-Blo® Fuse combines time-delay performance characteristics with the proven reliability of a PICO® Fuse.

Features & Benefits

- Enhanced inrush withstand
- Small size
- Wide range of current ratings (0.375A - 7A)
- Halogen free and RoHS compliant
- Wide operating temperature range
- Low temperature derating

Applications

- Flat-panel Display TV
- LCD monitor
- Lighting system
- Medical equipment
- Industrial equipment

Additional Information



Resources



Accessories



Samples

Electrical Characteristics

| % of Ampere Rating | Opening Time |
|--------------------|---|
| 100% | 4 Hours, Min. |
| 200% | 1 Sec., Min. ; 60 Sec., Max. |
| 300% | 0.2 Sec., Min. ; 3 Sec., Max. |
| 800% | 0.002 Sec., Min. ; 0.1 Sec., Max. |

Agency Approvals

| Agency | Agency File Number | Ampere Range |
|--------|--------------------|--------------|
| | E10480 | 0.375A - 7A |
| | 29862 | 0.375A - 7A |
| | NBK200416-JP1021 | 1A - 5A |
| | N/A | 0.375A - 7A |
| | N/A | 0.375A - 7A |

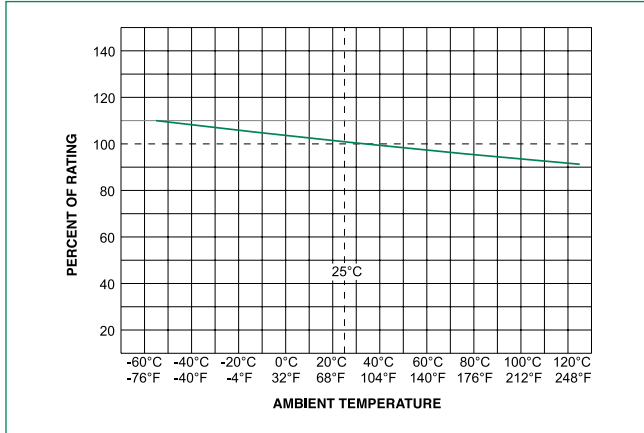
Electrical Characteristics

| Ampere Rating (A) | Amp Code | Max Voltage Rating (V) | Interrupting Rating | Nominal Cold Resistance (Ohms) | Nominal Melting I²t (A² sec) | Nom Voltage Drop (mV) | Agency Approvals | | | | |
|-------------------|----------|------------------------|---------------------|--------------------------------|------------------------------|-----------------------|------------------|----|----|----|----|
| | | | | | | | UKCA | CE | UL | SP | PS |
| 0.375 | .375 | 125 | 50A@125VAC/DC | 1.7550 | 0.085 | 0.840 | X | X | X | X | - |
| 0.500 | .500 | 125 | | 1.1370 | 0.210 | 0.775 | X | X | X | X | - |
| 0.750 | .750 | 125 | | 0.4900 | 0.760 | 0.429 | X | X | X | X | - |
| 1.00 | 001. | 125 | | 0.3000 | 2.010 | 0.353 | X | X | X | X | X |
| 1.50 | 01.5 | 125 | | 0.1170 | 3.940 | 0.208 | X | X | X | X | X |
| 2.00 | 002. | 125 | | 0.0720 | 7.600 | 0.180 | X | X | X | X | X |
| 2.25 | 2.25 | 125 | | 0.0640 | 9.280 | 0.164 | X | X | X | X | X |
| 2.50 | 02.5 | 125 | | 0.0520 | 13.00 | 0.153 | X | X | X | X | X |
| 3.00 | 003. | 125 | | 0.0380 | 21.00 | 0.140 | X | X | X | X | X |
| 3.50 | 03.5 | 125 | | 0.0240 | 26.80 | 0.094 | X | X | X | X | X |
| 4.00 | 004. | 125 | | 0.0200 | 35.00 | 0.086 | X | X | X | X | X |
| 5.00 | 005. | 125 | | 0.0133 | 54.80 | 0.074 | X | X | X | X | X |
| 7.00 | 007. | 125 | | 0.0092 | 105.00 | 0.070 | X | X | X | X | - |

473 Series

PICO® II Slo-Blo® Fuse

Temperature Re-rating Curve



Note: Re-rating depicted in this curve is in addition to the standard derating of 25% for continuous operation.

Soldering Parameters

Recommended Process Parameters:

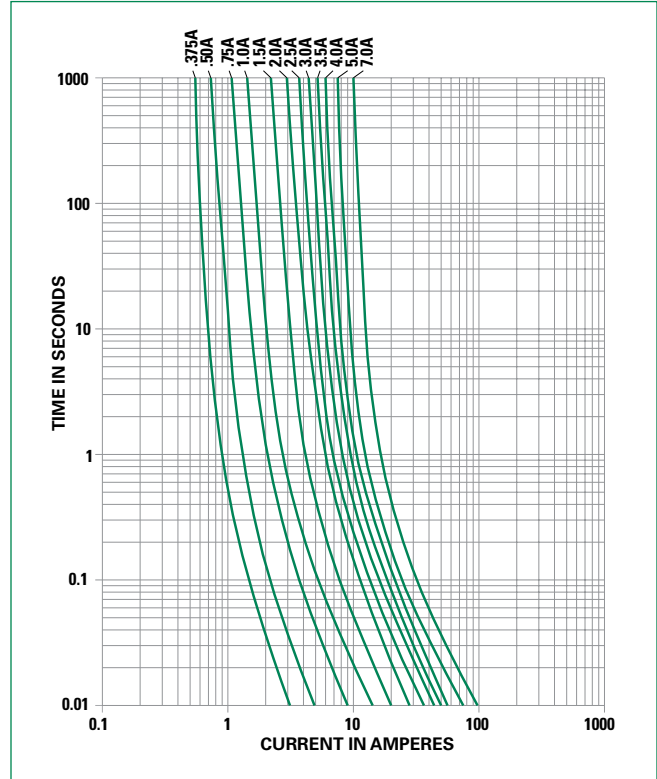
| Wave Parameter | Lead-Free Recommendation |
|--|-----------------------------------|
| Preheat: (Depends on Flux Activation Temperature) | (Typical Industry Recommendation) |
| Temperature Minimum: | 100°C |
| Temperature Maximum: | 150°C |
| Preheat Time: | 60-180 seconds |
| Solder Pot Temperature: | 260°C Maximum |
| Solder Dwell Time: | 2-5 seconds |

Recommended Hand-Solder Parameters:

- Solder Iron Temperature: 350°C +/- 5°C
- Heating Time: 5 seconds max.

Note: These devices are not recommended for IR or Convection Reflow process.

Average Time Current Curves



473 Series

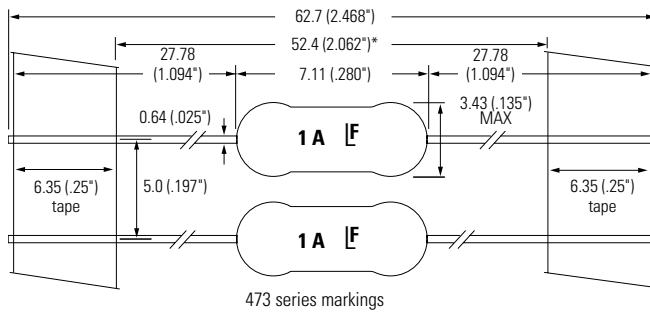
PICO® II Slo-Blo® Fuse

Product Characteristics

| | |
|------------------------------|---|
| Materials | Encapsulated, Epoxy-Coated Body; Solder Coated Copper wire leads; RoHS compliant Product: Pure Tin-coated Copper wire leads |
| Solderability | MIL-STD-202, Method 208 |
| Lead Pull Force | MIL-STD-202, Method 211, Test Condition A (will withstand 7 lbs. axial pull test) |
| Operating Temperature | -60°C to +125°C (Consider re-rating) |
| Shock | MIL-STD-202, Method 213, Test Condition I (100 G's peak for 6 milliseconds) |

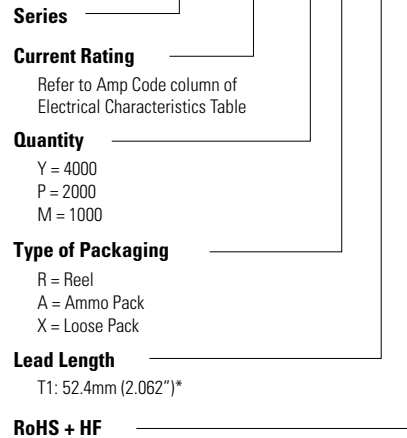
| | |
|---|---|
| Vibration | MIL-STD-202, Method 201 (10–55 Hz); MIL-STD-202, Method 204, Test Condition C (55–2000 Hz at 10 G's Peak) |
| Salt Spray | MIL-STD-202, Method 101, Test Condition B |
| Insulation Resistance (After Opening): | MIL-STD-202, Method 302, (10,000 ohms minimum at 100 volts) |
| Resistance to Soldering Heat | MIL-STD-202, Method 210, Test Condition C (20 sec at 260°C) |
| Thermal Shock | MIL-STD-202, Method 107, Test Condition B (-65°C to 125°C) |
| Moisture Resistance | MIL-STD-202, Method 106 (90–98% RH), Heat (65°C) |

Dimensions mm (inches)



Part Numbering System

0473 xxxx Y R T1 L



Packaging

| Packaging Option | Packaging Specification | Quantity & Packaging Code |
|------------------------------------|-------------------------|---|
| *T1: 52.4mm (2.062") Tape and Reel | EIA 296 | Please refer to available quantities above in "Part Numbering System" |

Notes: * T1 dimension is defined as the length of the component between the two tapes. The full component length is 62.7mm (2.468").

Disclaimer Notice - Littelfuse products are not designed for, and shall not be used for, any purpose (including, without limitation, automotive, military, aerospace, medical, life-saving, life-sustaining or nuclear facility applications, devices intended for surgical implant into the body, or any other application in which the failure or lack of desired operation of the product may result in personal injury, death, or property damage) other than those expressly set forth in applicable Littelfuse product documentation. Warranties granted by Littelfuse shall be deemed void for products used for any purpose not expressly set forth in applicable Littelfuse documentation. Littelfuse shall not be liable for any claims or damages arising out of products used in applications not expressly intended by Littelfuse as set forth in applicable Littelfuse documentation. The sale and use of Littelfuse products is subject to Littelfuse Terms and Conditions of Sale, unless otherwise agreed by Littelfuse. Information furnished is believed to be accurate and reliable. However, users should independently evaluate the suitability of and test each product selected for their own applications. Littelfuse products are not designed for, and may not be used in, all applications. Read complete Disclaimer Notice at www.littelfuse.com/disclaimer-electronics.