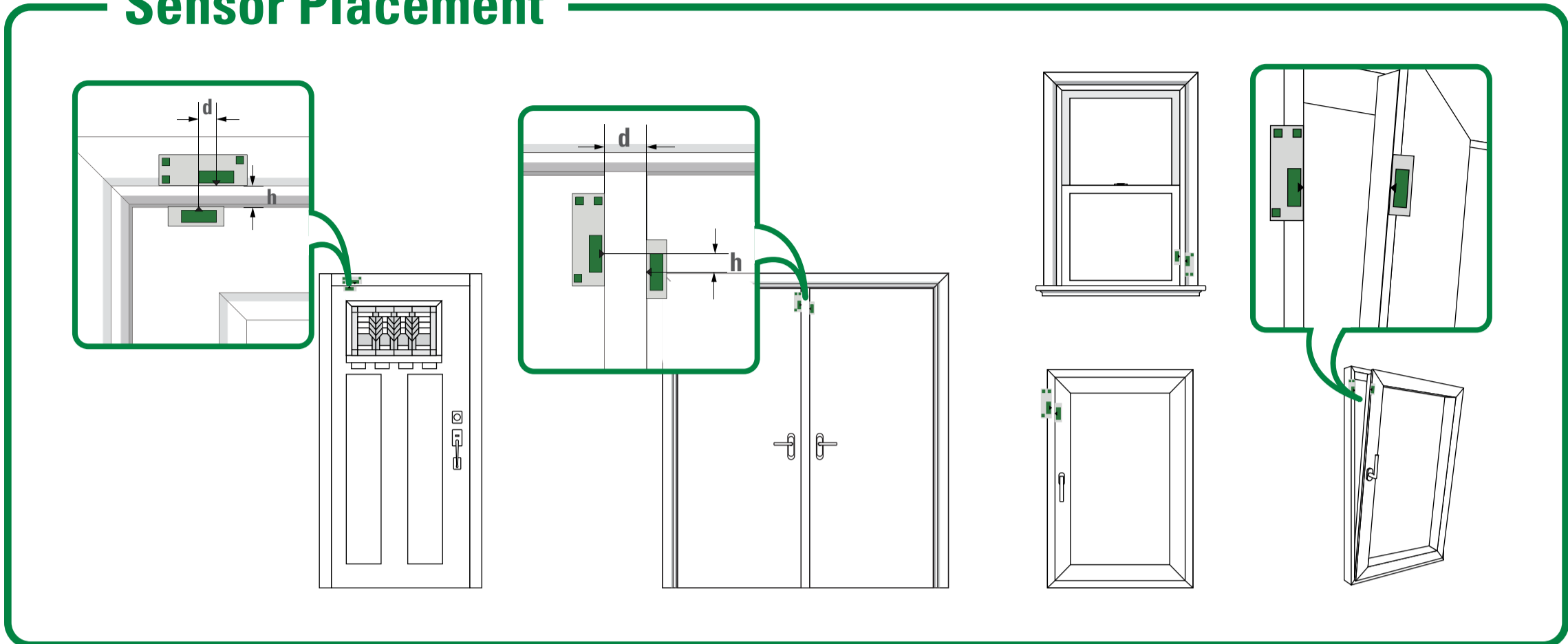


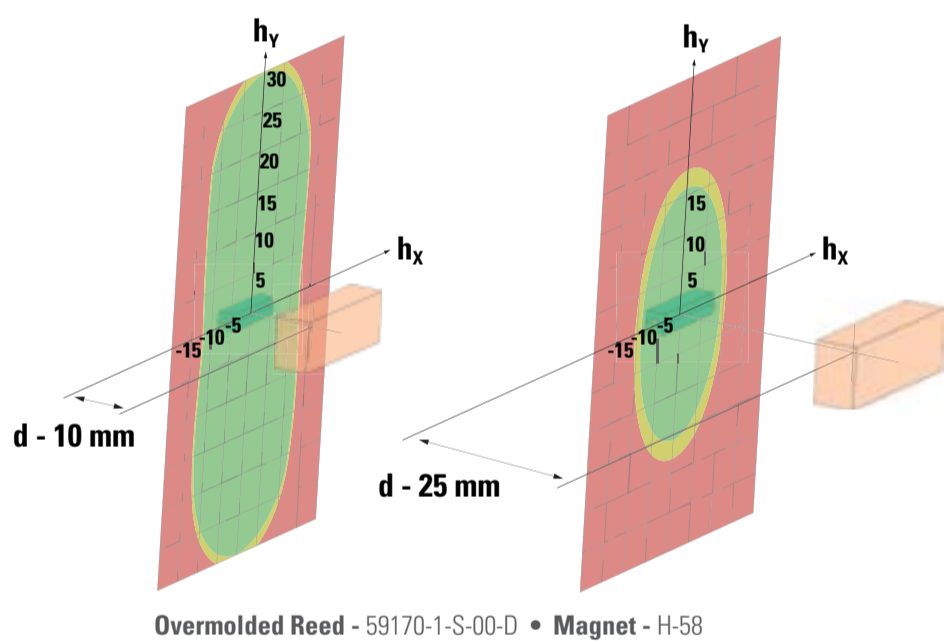
Sensor Placement



Activation Distance

59170

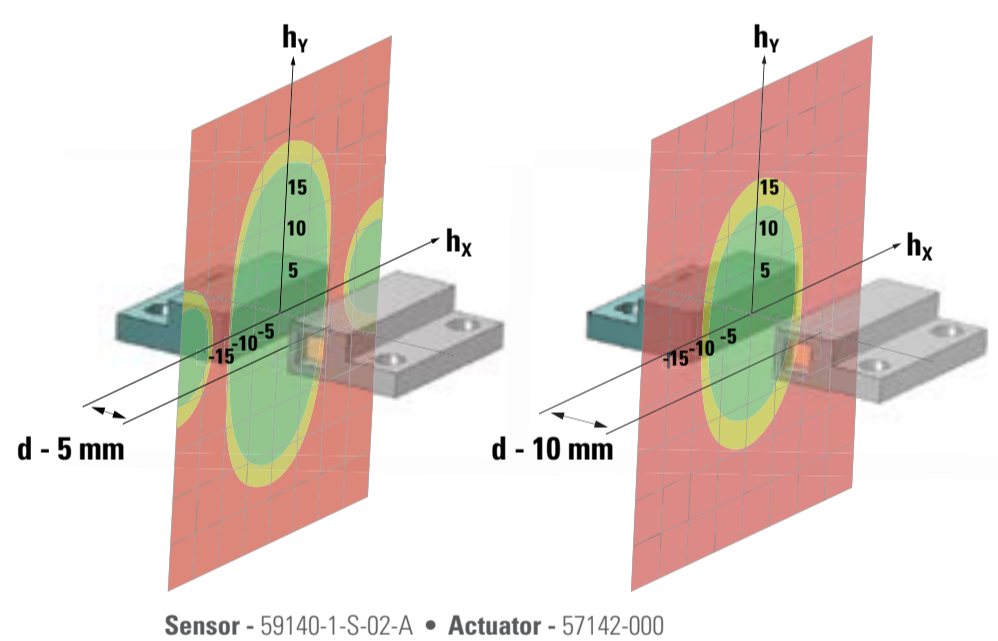
10 mm gap (Left) and 25 mm gap (Right)



Overmolded Reed - 59170-1-S-00-D • Magnet - H-58

59140

5 mm gap (Left) and 10 mm gap (Right)

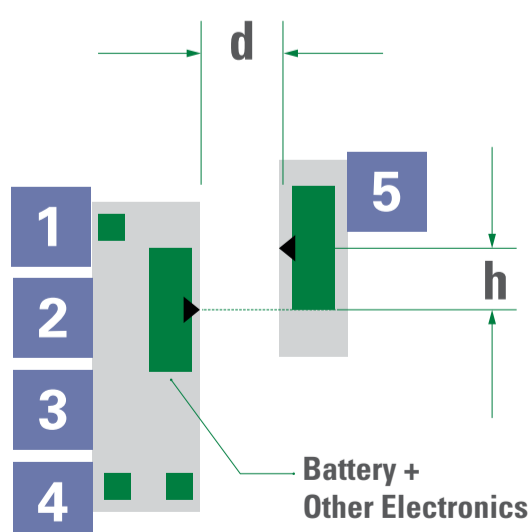


Sensor - 59140-1-S-02-A • Actuator - 57142-000

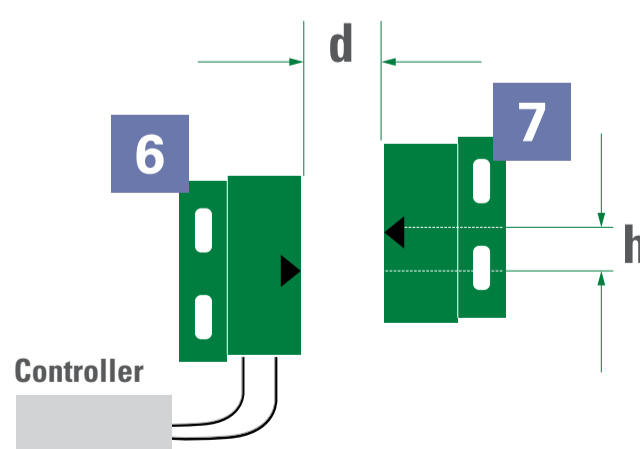
Note: Dimensions based on simulation are for illustration purposes only, performance in an actual installation should be verified.

What's Inside

59170 with Magnet
(Wireless)



59140 with 57140 / 57142 Actuator
(Wired)



	Technology	Series
1	Reed Switch	59170
2	Diode Array	SP1012
3	TVS Diode	SMCJ
4	NTC	KC
5	Magnet	H-34
6	Reed Sensor	59140
7	Actuator	57140 / 57142

For more on the benefits of Littelfuse products follow this link to [Smart Locks and Access Control](#).

Disclaimer Notice - Information furnished is believed to be accurate and reliable. However, users should independently evaluate the suitability of and test each product selected for their own applications. Littelfuse products are not designed for, and may not be used in all applications. Read complete Disclaimer Notice at: www.littelfuse.com/disclaimer-electronics.