

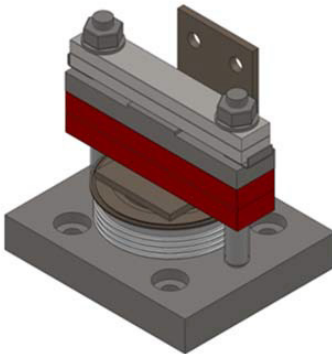
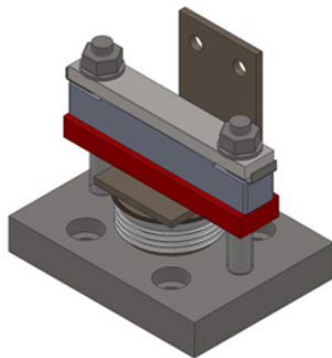
## Standard Rectifier Diode Assemblies

### Introducing the new range of easy mount standard rectifier diode assemblies from IXYS UK

These new assemblies, which can be supplied either with the diodes ready mounted or as kits allow for easy mounting of rectifier diodes to cooling fins using four bolts.

The diodes are single side mounted directly to a copper base plate pre-drilled with the four bolt holes. Diodes can be either anode or cathode side down, with three versions available suitable for 34mm to 50mm electrode devices.

An extensive range of 'standard' parts is available, see overleaf, with the mounting hole positions compatible with the now obsolete range of flat based rectifiers previously offered by a number of manufacturers.



#### Features and Benefits

- Design compatible with obsolete flat based rectifiers
- Utilises high reliability, hermetically sealed IXYS UK capsule diodes
- Voltage ratings up to 4.5kV
- Current ratings up to 2035A
- Direct single side mounting to cooling plates

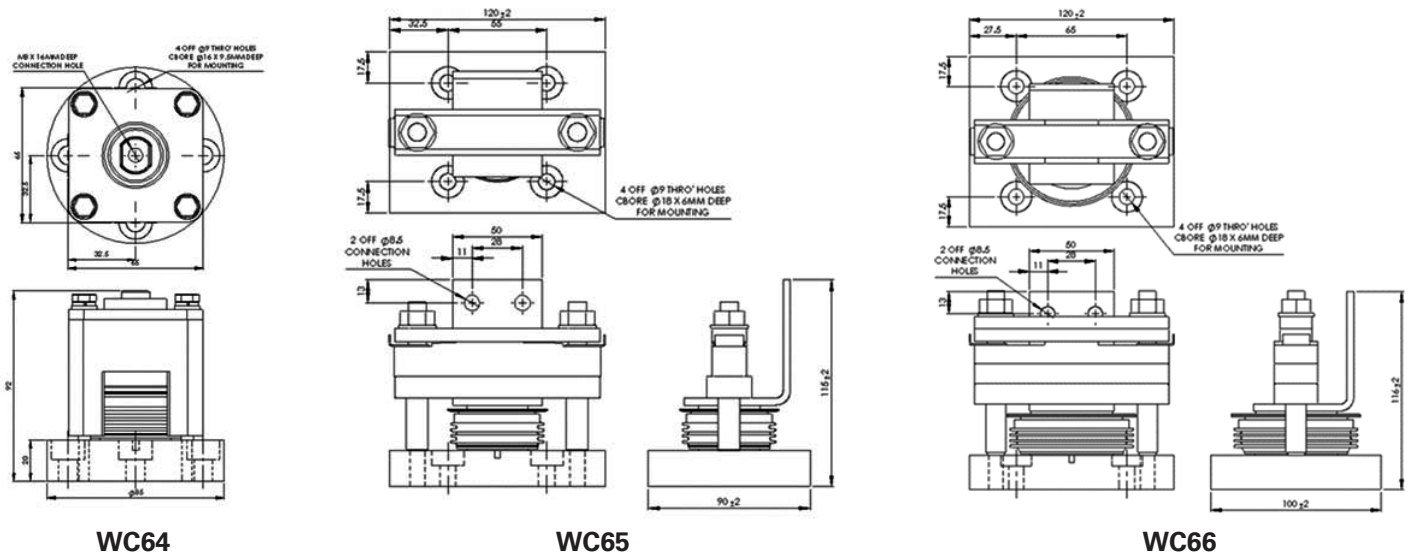
#### Applications

- Rail applications
  - Traction main drives
  - DC locomotives
  - Trackside substations
- Front-end rectification
- Power conversion
- Marine and off-shore applications
- Chemical power supplies

| Part Number     | Old Square Base Part No. | Base Polarity | $V_{RRM}$ | $I_{TAV}$                  | $I_{TSM}$ | $I^2t$             | $V_o$ | $r_T$ | $R_{th}$ | Temp | Outline |
|-----------------|--------------------------|---------------|-----------|----------------------------|-----------|--------------------|-------|-------|----------|------|---------|
|                 |                          |               | (V)       | $T_C = 100^\circ C$<br>(A) |           |                    |       |       |          |      |         |
| W1185LC450KBR † | SW45KBR515               | Anode         | 4500      | 435                        | 10.2      | $520 \times 10^3$  | 1.000 | 0.575 | 0.085    | 160  | WC64    |
| W1185LC450KBN † | SW45KBN515               | Cathode       | 4500      | 380                        | 10.2      | $520 \times 10^3$  | 1.000 | 0.575 | 0.101    | 160  | WC64    |
| W1411LC360KBR † | SW36KBR595               | Anode         | 3600      | 505                        | 12.2      | $744 \times 10^3$  | 0.900 | 0.388 | 0.085    | 160  | WC64    |
| W1411LC360KBN † | SW36KBN595               | Cathode       | 3600      | 445                        | 12.2      | $744 \times 10^3$  | 0.900 | 0.388 | 0.101    | 160  | WC64    |
| W1524LC300KBR † | SW30KBR636               | Anode         | 3000      | 540                        | 13.4      | $898 \times 10^3$  | 0.870 | 0.323 | 0.085    | 160  | WC64    |
| W1524LC300KBN † | SW30KBN636               | Cathode       | 3000      | 470                        | 13.4      | $898 \times 10^3$  | 0.870 | 0.323 | 0.101    | 160  | WC64    |
| W1748LC220KBR † | SW22KBR805               | Anode         | 2200      | 660                        | 13.5      | $911 \times 10^3$  | 0.870 | 0.280 | 0.085    | 175  | WC64    |
| W1748LC220KBN † | SW22KBN805               | Cathode       | 2200      | 582                        | 13.5      | $911 \times 10^3$  | 0.870 | 0.280 | 0.101    | 175  | WC64    |
| W2058LC120KBR † | SW12KBR935               | Anode         | 1200      | 760                        | 16.1      | $1.30 \times 10^6$ | 0.790 | 0.192 | 0.085    | 175  | WC64    |
| W2058LC120KBN † | SW12KBN935               | Cathode       | 1200      | 665                        | 16.1      | $1.30 \times 10^6$ | 0.790 | 0.192 | 0.101    | 175  | WC64    |
| W1185LC450KCR   | SW38KBR515               | Anode         | 4500      | 455                        | 10.2      | $520 \times 10^3$  | 1.000 | 0.575 | 0.080    | 160  | WC65    |
| W1185LC450KCN   | SW45KBN515               | Cathode       | 4500      | 395                        | 10.2      | $520 \times 10^3$  | 1.000 | 0.575 | 0.097    | 160  | WC65    |
| W1411LC360KCR   | SW36KBR595               | Anode         | 3600      | 530                        | 13.2      | $756 \times 10^3$  | 0.900 | 0.388 | 0.080    | 160  | WC65    |
| W1411LC360KCN   | SW36KBN595               | Cathode       | 3600      | 460                        | 12.3      | $759 \times 10^3$  | 0.900 | 0.388 | 0.097    | 160  | WC65    |
| W1524LC300KCR   | SW30KBR635               | Anode         | 3000      | 565                        | 13.4      | $898 \times 10^3$  | 0.870 | 0.323 | 0.080    | 160  | WC65    |
| W1524LC300KCN   | SW30KBN636               | Cathode       | 3000      | 490                        | 13.4      | $898 \times 10^3$  | 0.870 | 0.323 | 0.097    | 160  | WC65    |
| W1748LC220KCR   | SW22KBR805               | Anode         | 2200      | 690                        | 13.5      | $911 \times 10^3$  | 0.870 | 0.280 | 0.080    | 175  | WC65    |
| W1748LC220KCN   | SW22KBN805               | Cathode       | 2200      | 600                        | 13.5      | $911 \times 10^3$  | 0.870 | 0.280 | 0.097    | 175  | WC65    |
| W2058LC120KCR   | SW12KBR935               | Anode         | 1200      | 800                        | 16.1      | $1.30 \times 10^6$ | 0.790 | 0.192 | 0.080    | 175  | WC65    |
| W2058LC120KCN   | SW12KBN935               | Cathode       | 1200      | 690                        | 16.1      | $1.30 \times 10^6$ | 0.790 | 0.192 | 0.097    | 175  | WC65    |
| W3082MC450KDR   | SB45KDR680               | Anode         | 4500      | 1115                       | 26.6      | $3.54 \times 10^6$ | 0.923 | 0.192 | 0.037    | 160  | WC66    |
| W3082MC450KDN   | SB45KDN680               | Cathode       | 4500      | 1030                       | 26.6      | $3.54 \times 10^6$ | 0.923 | 0.192 | 0.041    | 160  | WC66    |
| W3708MC350KDR   | SB35KDR820               | Anode         | 3500      | 1240                       | 33.7      | $5.68 \times 10^6$ | 0.958 | 0.112 | 0.037    | 160  | WC66    |
| W3708MC350KDN   | SB35KDN820               | Cathode       | 3500      | 1145                       | 33.7      | $5.68 \times 10^6$ | 0.958 | 0.112 | 0.041    | 160  | WC66    |
| W3842MC280KDR   | SB25KDR950               | Anode         | 2800      | 1325                       | 33.5      | $5.61 \times 10^6$ | 0.831 | 0.118 | 0.037    | 160  | WC66    |
| W3842MC280KDN   | SB25KDN950               | Cathode       | 2800      | 1225                       | 33.5      | $5.61 \times 10^6$ | 0.831 | 0.118 | 0.041    | 160  | WC66    |
| W5636MC150KDR   | SB15KDR14C               | Anode         | 1500      | 2035                       | 43.9      | $9.64 \times 10^6$ | 0.698 | 0.059 | 0.037    | 175  | WC66    |
| W5636MC150KDN   | SB15KDN14C               | Cathode       | 1500      | 1875                       | 43.9      | $9.64 \times 10^6$ | 0.698 | 0.059 | 0.041    | 175  | WC66    |

**Note:**

† : Assembly supplied as kit of parts, all other designs available as either kit of parts or fully assembled.





---

Disclaimer Notice - Information furnished is believed to be accurate and reliable. However, users should independently evaluate the suitability of and test each product selected for their own applications. Littelfuse products are not designed for, and may not be used in, all applications. Read complete Disclaimer Notice at [www.littelfuse.com/disclaimer-electronics](http://www.littelfuse.com/disclaimer-electronics).