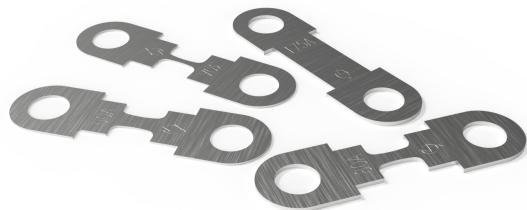


HSB

Rated 32 V



Specifications

| | |
|---|-------------------|
| Voltage Rating: | 32 V DC |
| Interrupting Rating: | 1000 A @ 32 VDC |
| Recommended Environmental Temperature: | -40 °C to +125 °C |
| Material: | Zinc Alloy |
| Torque Bolt M6: | 4 Nm +/- 1 Nm |

Description

These fuses protect wires in diesel vehicles. Do not install the high-current automotive fuses in EVs or gasoline-fueled vehicles. Buy fuse holders separately.

Features & Benefits

- Ring-type lugs ensure secure mounting
- Time- delayed
- Available with ratings of 30 A to 175 A
- Zinc alloy elements and connectors

Applications

- Diesel vehicles

Ordering Information

| Part Number | Package Size |
|---------------|--------------|
| 156.5677.xxx1 | 100 |
| 156.5677.xxx2 | 10000 |

HSB

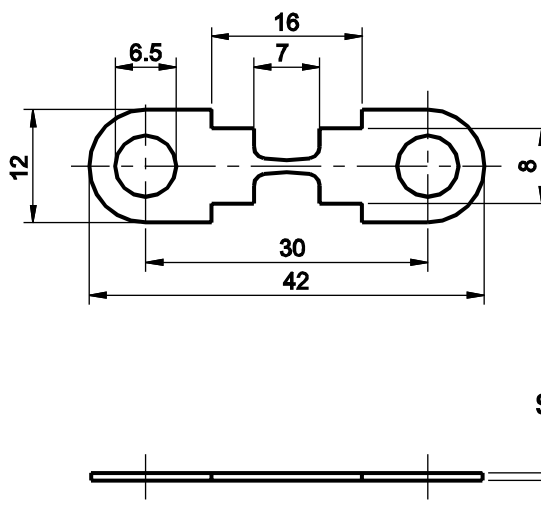
Rated 32 V

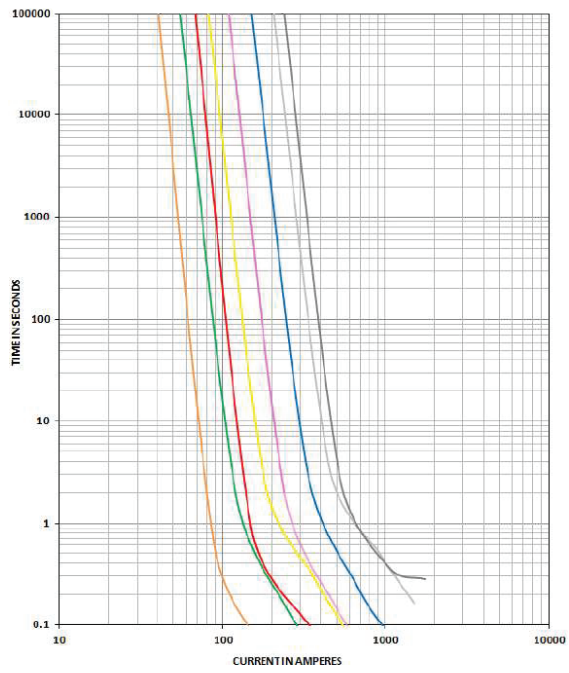
Ratings

| Part Number | Current Rating (A) | Typ. Voltage Drop (mV) | Cold Resistance (mΩ) | I ² t (A ² s) | Material Thickness "S" (mm) |
|---------------|--------------------|------------------------|----------------------|-------------------------------------|-----------------------------|
| 156.5677.530_ | 30 | 44 | 1.33 | 3800 | 0.4 |
| 156.5677.540_ | 40 | 40 | 0.89 | 11200 | 0.4 |
| 156.5677.550_ | 50 | 44 | 0.72 | 21300 | 0.4 |
| 156.5677.560_ | 60 | 38 | 0.58 | 41400 | 0.4 |
| 156.5677.580_ | 80 | 40 | 0.43 | 44800 | 0.8 |
| 156.5677.611_ | 110 | 40 | 0.31 | 139000 | 0.8 |
| 156.5677.615_ | 150 | 52 | 0.23 | 465000 | 0.8 |
| 156.5677.617_ | 175 | 46 | 0.22 | 560000 | 0.8 |

Dimensions

Dimensions in mm for reference only.
See outline drawing for dimensions and tolerances





- 30 A
- 40 A
- 50 A
- 60 A
- 80 A
- 110 A
- 150 A
- 175 A