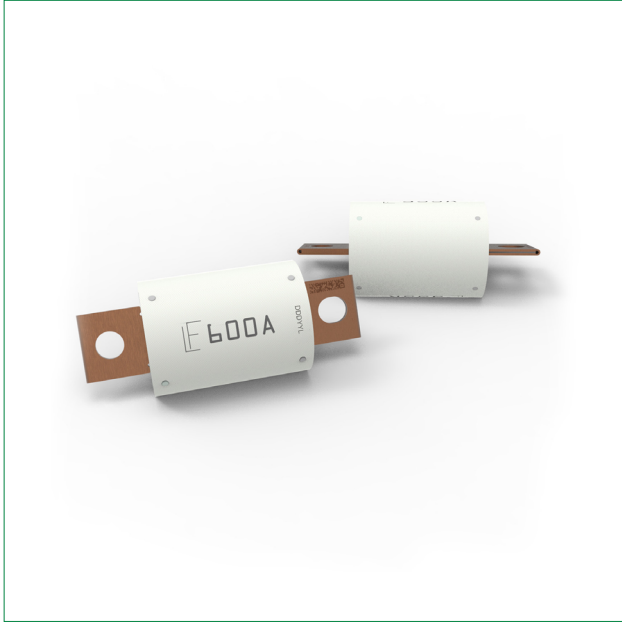


38EV Series

High Voltage Fuses – Rated 500 V DC

RoHS



Description

The 38EV fuse is designed for protection of high voltage accessory circuits in electric and hybrid electric vehicles.

Features & Benefits

- High-contrast ampere marking on bodies aid identification
- Refer to ISO 8820-8 JASO D622
- Industry-standard footprint

Applications

- EVs
- Hybrid passenger vehicles

Additional Information



Resources



Samples

[See Disclaimer Notice](#)

Specifications

Voltage Rating:	500 V DC
Interrupting Rating:	30 kA @ 500 V DC
Recommended Environmental Temperature:	-40 °C to +125 °C
Terminals Material:	Copper / Copper Alloy
Housing Material:	Melamine (U.L. 94 Flammability rating – V0)
End caps Material:	Zinc Alloy
Recommended Mounting Torque M8:	12 ±1 Nm
Typical weight:	180 g
Refers To:	ISO 8820-8 JASO D622

Ordering Information

Part Number	Current Rating (A)	Termination	Package Size
38EVxxx.ZXBDM	300 A - 600 A	M8 Bolt Down	48

38EV Series

High Voltage Fuses – Rated 500 V DC

Ratings

Part Number	Current Rating (A)	Test Cable Size (mm ²)	Typ. Voltage Drop (mV)
38EV300.ZXBDM*	300	50	TBD
38EV350.ZXBDM*	350	70	TBD
38EV400.ZXBDM*	400	70	TBD
38EV450.ZXBDM*	450	95	TBD
38EV500.ZXBDM*	500	150	TBD
38EV600.ZXBDM*	600	200	TBD

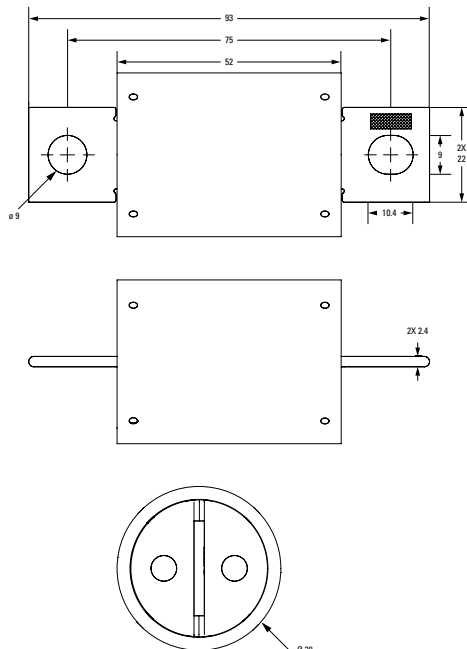
* Products in development - please contact Littelfuse® for more details regarding availability timing.

Note 1: Final values for voltage drop, resistance, melting I²t and T/C curves will be generated from PV tests data.

Note 2: The typical I²t is an average value calculated from the breaking capacity tests by using the melting time before the arcing occurs.

Dimensions

Dimensions in mm. Please refer to the outline drawing for dimensions and tolerances.



38EV Series

High Voltage Fuses – Rated 500 V DC

Time-Current Characteristic

% of Rating	Opening Time Min. / Max. (s)
100	14 400 / -
200	1 / 300
300	0.2 / 30
500	0.05 / 1

Disclaimer Notice - Information furnished is believed to be accurate and reliable. However, users should independently evaluate the suitability of and test each product selected for their own applications. Littelfuse products are not designed for, and may not be used in, all applications. Read complete Disclaimer Notice at <https://www.littelfuse.com/legal/disclaimers/product-disclaimer.aspx>