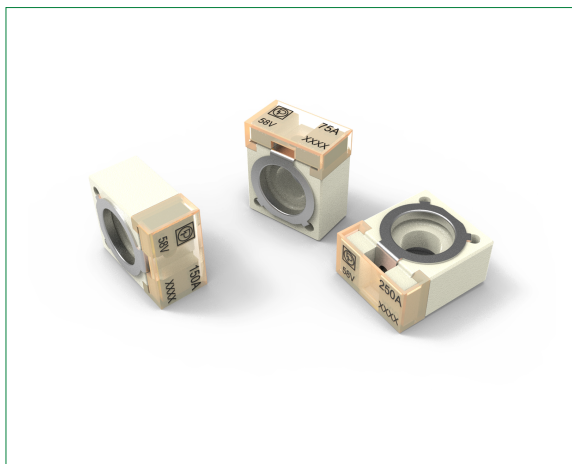


# CF8

Rated 58 V



## Description

CF 58V automotive fuses serve as battery terminal fuses. Each installs on a pole in a bolt-down fuse holder and power distribution block to provide fast-acting circuit protection. Buy CF8 799 Series fuse holders separately.

## Features & Benefits

- Fast-acting
- Available with ratings of 50 A to 300 A
- Interrupting ratings of 2 kA at 58 VDC
- 50 A to 100 A fuses operate at up to 105 °C; 125 A to 300 A fuses operate at up to 125 °C
- Tin-plated zinc alloy terminals
- Ceramic insulating bodies
- Transparent PES covers
- Comply with ISO 8820-6 and DIN 72581-5
- UL Recognized in Canada and the United States as UL 248 Special Purpose Fuses (File e211637)
- Certified lead-free and RoHS compliant
- Transparent covers make it easier to see when fuses blow
- Fuses install like insulating nuts

## Applications

- Cars and SUVs
- Trucks
- Buses
- Offroad vehicles
- Watercraft as approved by Littelfuse

## Ratings

Part Number	Current Rating (A)	Typ. Voltage Drop (mV)	Typ. Cold Resist. (mΩ)	Typ. I <sup>2</sup> t (A <sup>2</sup> s)
155.0892.5501	50	100	1.20	1 900
155.0892.5751	75	90	0.60	12 000
155.0892.6101	100	80	0.60	14 000
155.0892.6121	125	75	0.45	51 000
155.0892.6151	150	70	0.35	63 800
155.0892.6171	175	70	0.25	120 000
155.0892.6201	200	65	0.25	172 800
155.0892.6251	250	70	0.20	330 000
155.0892.6301	300	70	0.15	372 000

The typical I<sup>2</sup>t is an average value calculated from the breaking capacity tests by using the melting time before the arcing occurs.

## Ordering Information

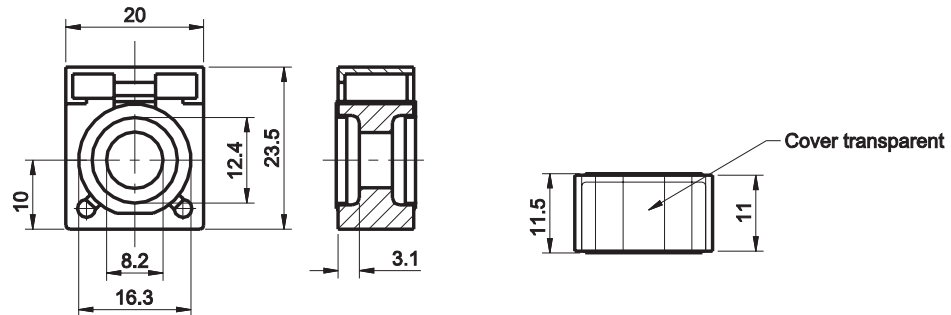
Part Number	Package Size
155.0892.xxx1	100

# CF8

Rated 58 V

## Dimensions

Dimensions in mm. Please refer to the outline drawing for dimensions and tolerances.

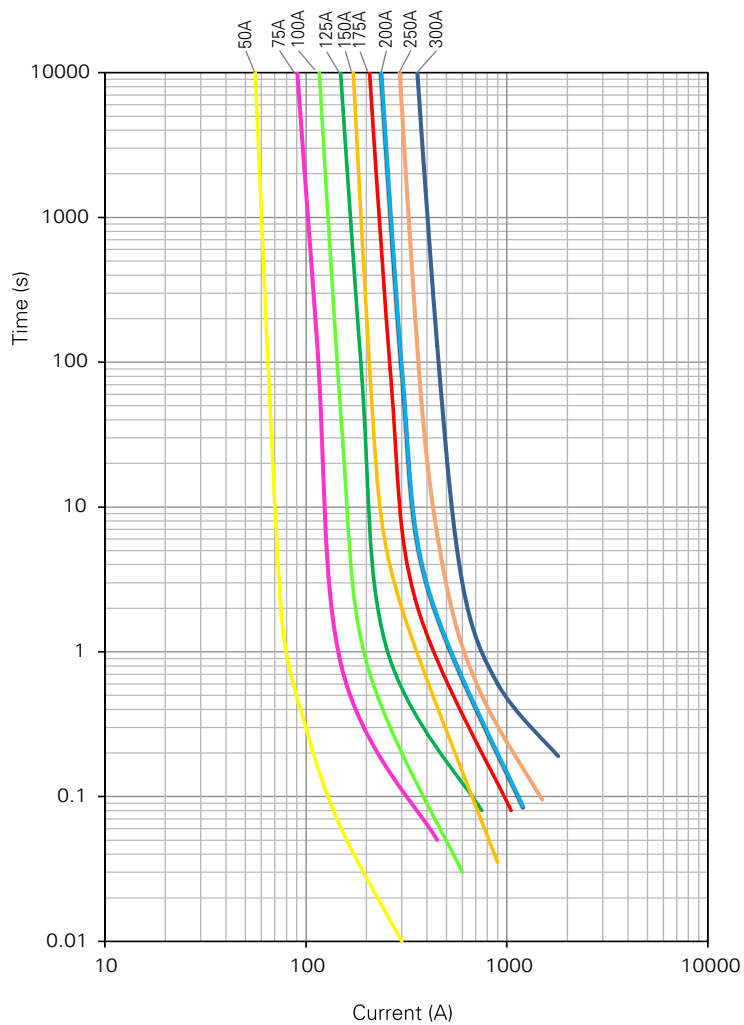


Insert CF8-Fuse links only in conjunction with the insulating nuts, please contact Littelfuse® for more information.

# CF8

Rated 58 V

## Time-Current Characteristic



% of Rating	Opening Time Min / Max (s)
100	360,000 / ∞
135	- / 3,600
150	1 / 600
200	0.2 / 60
300	0.05 / 1.5
400	0.02 / 0.5
600	- / 0.2