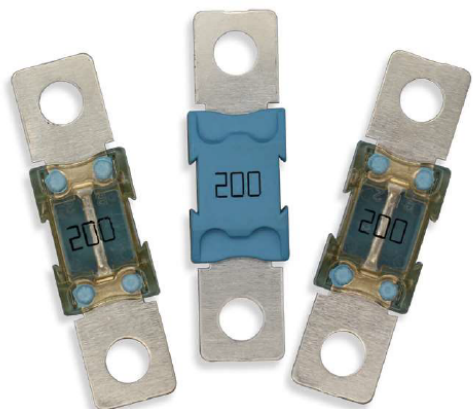


BF2

Bolt-down Fuse Rated 58V



Specifications

Voltage Rating:	58 VDC
Interrupting Rating:	1000A @ 58 VDC
Recommended Environmental Temperature:	-40°C to +125°C
Terminals Material:	Tin plated Copper
Opaque Housing Material:	PET-GF33 (U.L. 94 Flammability rating – V0)
Clear Housing Material:	PES (U.L. 94 Flammability rating –V0)
Mounting Torque M8:	12 Nm +/- 1 Nm
Complies with:	UL 248 Special Purpose Fuse
Refers To:	ISO 8820-5:2015

Description

BF2 58V fuses use Slo-Blo® technology to protect high-current wiring harnesses. Use the 300 A fuse only for short circuit protection.

Applications

- Cars
- Trucks
- SUVs
- Offroad vehicles
- Buses
- Watercraft as approved by Littelfuse®

Features & Benefits

- Color coding indicates ampere rating
- High-contrast ampere rating stamps aid identification
- Transparent cover make it easier to see when fuse blow

Ordering Information

Part Number	Rating	Package Size
142.5395.xxxx	100 - 300	200

BF2

Bolt-down Fuse Rated 58V

Ratings

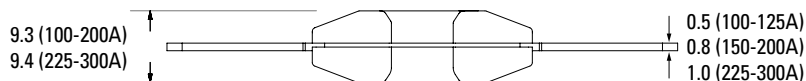
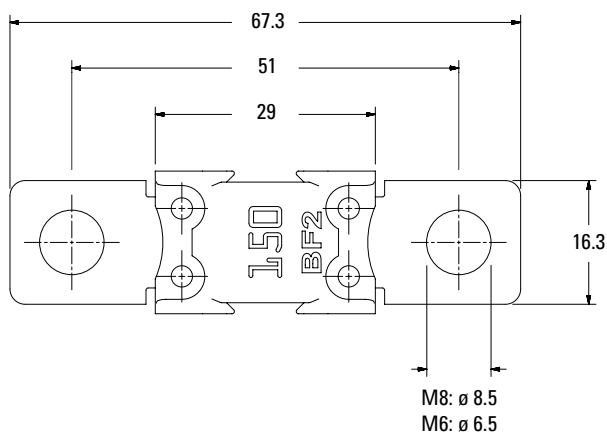
Part Number	Current Rating (A)	Housing Color	Test Cable Size (mm ²)	Typ. Voltage Drop (mV)	Typ. Cold Resistance (mΩ)	Typ. I ² t (A ² s)
142.5395.6102	100	Yellow	16	102	0.70	46,800
142.5395.6122	125	Green	25	81	0.52	118,100
142.5395.6152	150	Orange	25	77	0.42	113,400
142.5395.6172	175	White	25	104	0.36	154,400
142.5395.6202	200	Blue	35	102	0.34	288,000
142.5395.6222	225	Brown	35	107	0.29	236,000
142.5395.6252	250	Pink	50	86	0.25	292,500
142.5395.6302 ¹	300	Grey	70	68	0.21	486,000

Note 1: Short Circuit Protector only

The typical I²t is an average value calculated from the breaking capacity tests by using the melting time before the arcing occurs.

Dimensions

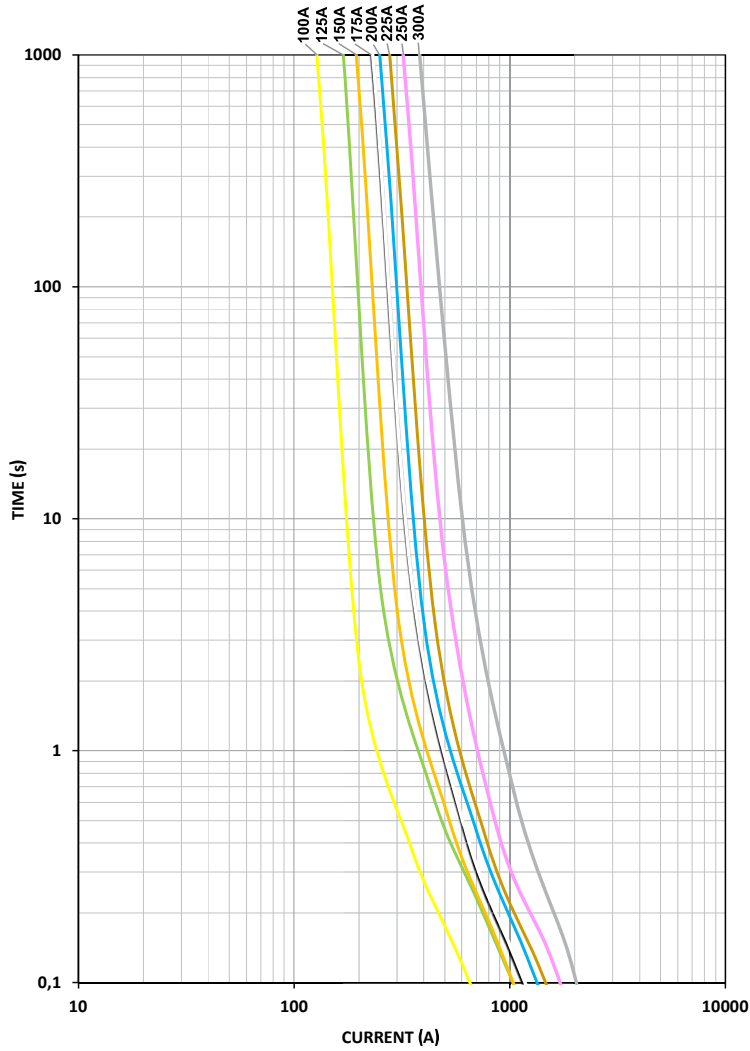
Dimensions in mm for reference only.
See outline drawing for dimensions and tolerances.



BF2

Bolt-down Fuse Rated 58V

Time-Current Characteristic Curves



Time-Current Characteristics

% of Rating	Opening Time Min / Max (s)	
	100 A - 250 A	300 A
75	- / -	14 400 / ∞
100	14,400 / ∞	- / -
135	120 / 1 800	- / -
200	1 / 15	1 / 15
350	0.3 / 5	0.5 / 5
600	0.1 / 1	0.1 / 1

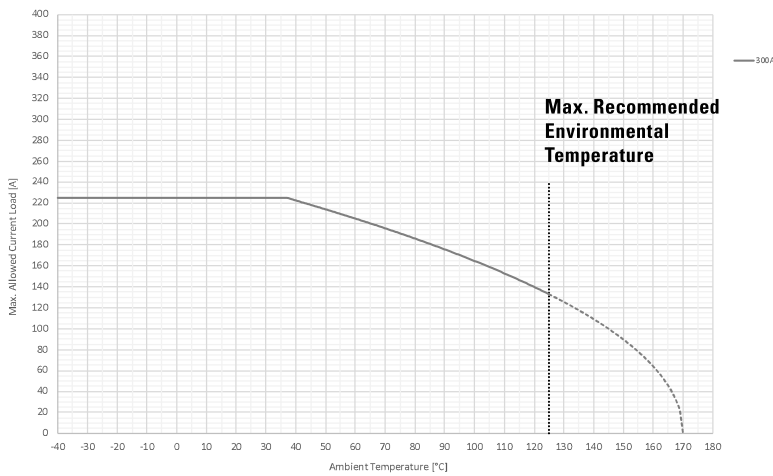
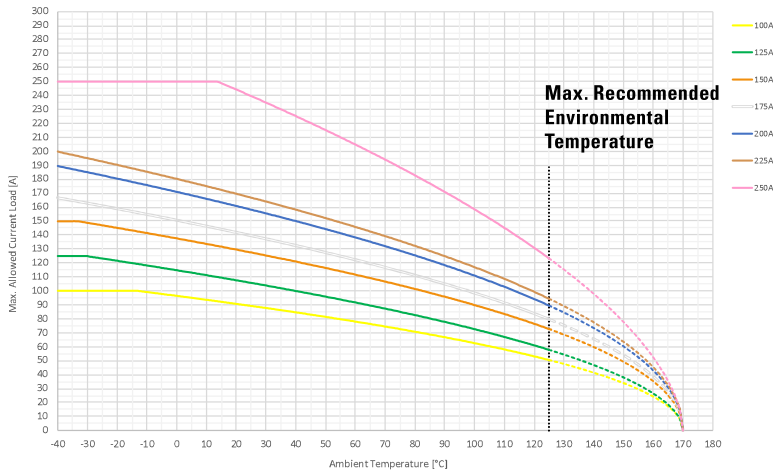
BF2

Bolt-down Fuse Rated 58V

Typical Derating of Fuse Melting Element

Temperature Security Margin is 20%

Please Contact Littelfuse® For Details Regarding Derating Test Set Up



Temperature Table

	max. allowed current load [A] at ambient temperature (typical derating)						
	-40°C	0°C	20°C	65°C	85°C	110°C	125°C
100A	100	96	91	76	69	58	50
125A	125	115	108	90	80	67	58
150A	150	138	130	109	99	83	73
175A	167	151	142	120	108	92	80
200A	189	171	161	135	122	103	90
225A	200	180	170	143	129	109	94
250A	250	250	244	200	177	145	123
300A	225	225	225	201	181	153	133