

POWR-GARD® Blocks & Holders

LFPXV Touch-Safe Fuse Holder

1500 V • 32 A



Description

The LFPXV series touch-safe dead front fuse holders are designed to hold 1500 V 10x85 mm fuses. These fuse holders are DIN rail mountable and easily removed with no additional fuse pullers or tools.

Features & Benefits

FEATURES	BENEFITS
Finger-safe design	Maximum safety for personnel
35 mm DIN rail mountable	Easy installation in various settings
Compact design	Ultimate flexibility, space-saving
Evaluated for use with copper alloy busbars	Improve reliability

Applications

- For use with Littelfuse SPXV/SPXV-S Fuses



Look for this logo to indicate products that are used in solar applications. Visit our website [littelfuse.com/solar](https://www.littelfuse.com/solar) for the latest updates on approvals, certifications, and new products.

POWR-GARD® Blocks & Holders

LFPXV Touch-Safe Fuse Holder

Specifications

Voltage Ratings	1500 V dc
Amperage Rating	32 A
Withstand Rating	50 kA
Power Dissipation:	8W Maximum
Fuse Type	10x85 mm
Material	Thermoplastic Fuse Clip: Silver plated copper alloy Screws: Zinc plated steel
Operating Temperature	-55 °C to +125 °C
Flammability Rating	UL94 V-0
Temperature Stability	Body: 130 °C Carrier: 140 °C
Applicable Standards	UL 4248-19 Listed, IEC 60269-6
Environmental	RoHS compliant, Lead (Pb) free, REACH
Recommended DIN Rail	TH 35-7,5 per IEC 60715
Country of Origin	China

WIRE TYPE	
75 °C or 90 °C CU Only Stranded	UL Class B and Class C wire
	AlphaWire PV series Photovoltaic Wire
	IEC Class 5 Flexible Wire

BUSBAR SPECIFICATIONS			
TERMINAL	THICKNESS	WIDTH	TORQUE
Maximum	0.188 in (4.78 mm)	0.290 in (7.37 mm)	24-28 lb-in (2.71–3.16 N-m)
Minimum	0.125 in (3.18 mm)	0.200 in (5.08 mm)	

Certification & Compliance

UL	UL listed (File:E345481)
CE	EU Declaration of Conformity (File: LFPXV_200921)
TUV	TUV Certificate (R 50505296)

Accessories

Littelfuse SPXV/SPXV-S Fuses



Look for this logo to indicate products that are used in solar applications. Visit our website [littelfuse.com/solar](https://www.littelfuse.com/solar) for the latest updates on approvals, certifications, and new products.

POWR-GARD® Blocks & Holders

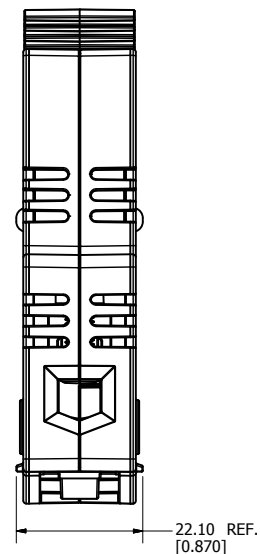
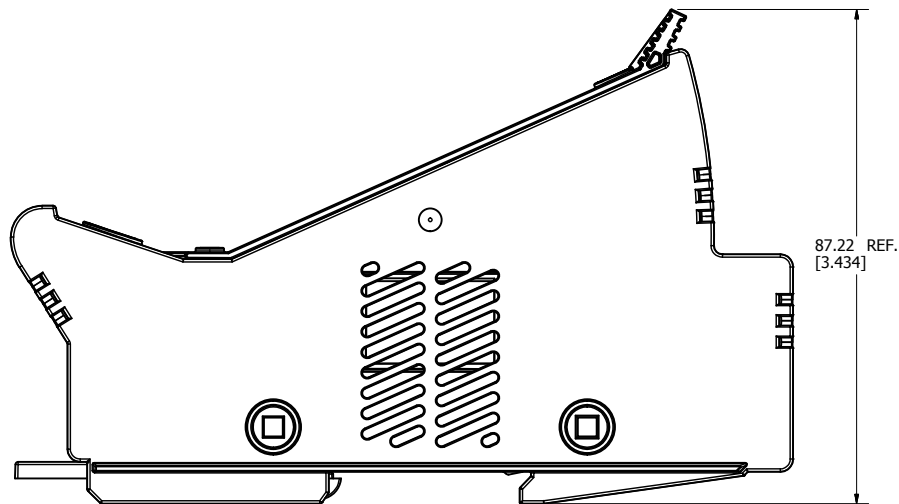
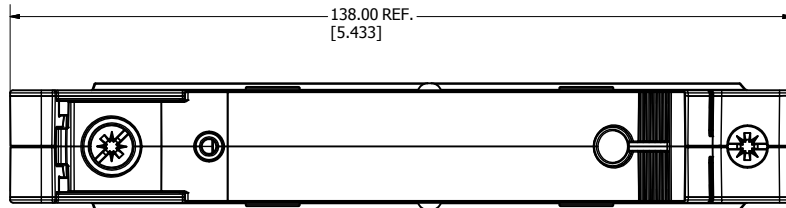
LFPXV Touch-Safe Fuse Holder

Ordering Information

SERIES	VOLTAGE (V DC)	POLES	CATALOG NUMBER	ORDERING NUMBER	PACK QTY	TERMINAL INFORMATION			
						TERMINAL TYPE	NUMBER OF WIRES	WIRE SIZE	TORQUE
LFPXV	1500	1	LFPXV001	LFPXV0001Z	20	Box Lug	1	4–14 AWG (25–2.5 mm ²)	24–28 lb-in (2.71–3.16 N-m)
							1	16–18 AWG (1.5–0.75 mm ²)	18–22 lb-in (2.03–2.49 N-m)
							2*	6–14 AWG (16–2.5 mm ²)	26–30 lb-in (2.94–3.69 N-m)
							2*	16–18 AWG (1.5–0.75 mm ²)	20–24 lb-in (2.26–2.71 N-m)

*Must be the same wire type and cross sectioned size

Dimensions mm (inches)



Disclaimer Notice – Information furnished is believed to be accurate and reliable. However, users should independently evaluate the suitability of and test each product selected for their own applications. Littelfuse products are not designed for, and may not be used in, all applications. Read complete Disclaimer Notice at www.littelfuse.com/product-disclaimer.