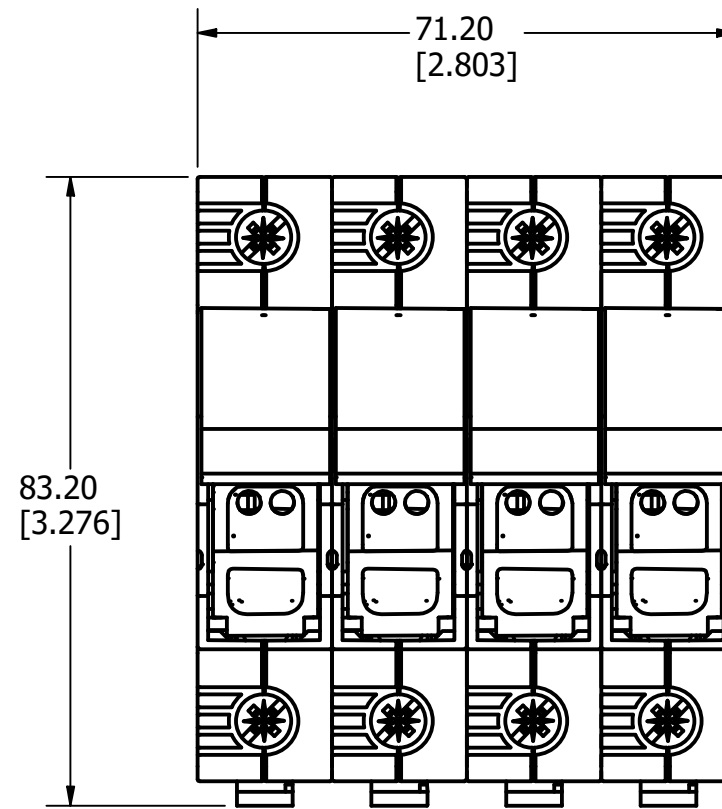
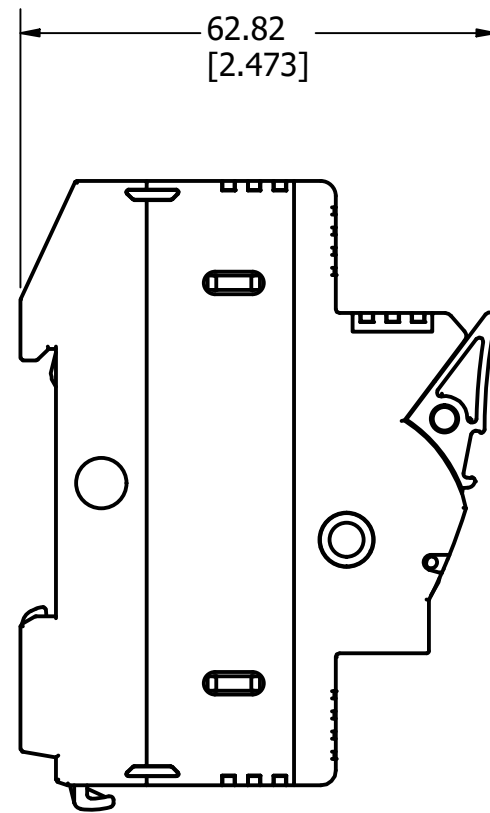


REVISION		
REV	DATE	DESCRIPTION
A	10/3/22	525710GCP - RELEASE MRY



SPECIFICATIONS:

VOLTAGE RATING: 600Vac/dc

AMP RATING: 30A

INTERRUPT RATING: 200kA

WIRE RANGE: 0.75-10mm²
18-4 AWG

SUGGESTED TORQUE: (1) 0.75-25mm² 2.0-2.5 Nm
18-8 AWG 18-22 lb-in
(2) 0.75-10mm² 2.0-2.5 Nm
18-6 AWG 18-22 lb-in
(1) 6-4 AWG 22-26 lb-in

APPROVALS: UL Listed (E14721)
CSA Certified

1	NO	COMPONENT NO	DESCRIPTION	QTY/M	U/M
---	----	--------------	-------------	-------	-----

BILL OF MATERIAL

<S>	CRITICAL CHARACTERISTIC FOR PART SAFETY/COMPLIANCE				
●	DENOTES CRITICAL CHARACTERISTICS.				
CPK	DENOTES CPK DIMENSIONS, -MINIMUM CPK VALUE				
⊞	DENOTES A CHARACTERISTIC THAT PROVIDES AN INDICATION OF PROCESS PERFORMANCE. PROCEDURE FOR MEASUREMENT AND TRACKING TO BE DEFINED IN LITTELFUSE INSPECTION INSTRUCTIONS.				
CP	DENOTES CP DIMENSIONS, -MINIMUM CP VALUE MUST BE WITHIN THE DIMENSIONAL LIMITATIONS SHOWN ON DRAWING AND INITIALLY LOCATED TO ALLOW FOR MAXIMUM TOOL LIFE.				

B

MATL SPEC		FINISH		
DRW JMOLER	DATE 9/23/2022	SCALE NTS	FINISH GOOD WT GRAMS/PIECE	

UNLESS OTHERWISE SPECIFIED, DIMENSIONS ARE IN MILLIMETERS, DIMENSIONS IN BRACKETS [] ARE INCHES DIMENSIONING AND DO NOT INCLUDE PLATING. TOLERANCING TO BE INTERPRETED IN ACCORDANCE WITH ANSI Y14.5M-1994

3RD ANGLE PROJECTION	
----------------------	--

TITLE LFPSC004 OUTLINE

 CHICAGO, ILLINOIS 60631	REVISION	DRWG NO.	SHEET 1 OF 1
	A	OL-LFPSC004	