

LFCP Series Fused Coordination Panel Operations & Maintenance Manual



Copyright © 2021 Littelfuse. All rights reserved.

Table of Contents

1. Warnings	2	8. Disconnects	13
2. Overview	3	9. Fuses	14
2.1 Description.....	3	10. Surge Proteciton	15
2.2 Features/Benefits.....	3	11. Field Expansion	16
2.3 Additional Design Options	3	12. Recommended Maintenance	19
2.4 Specifications.....	3	13. Frequently Asked Questions	20
2.5 Applications	3		
2.6 Code Requirements.....	3		
2.7 Web Resources	3		
2.8 Part Numbering System	4		
2.9 Physical Characterisitcs	4		
2.10 Dimensions.....	4		
3. Standard Configurations	5		
4. Understanding your Panel.....	7		
5. Labeling & Service Entrance	8		
6. Grounding Specifics.....	9		
7. Wiring Reference	10		

DISCLAIMER

Specifications are subject to change without notice. Littelfuse is not liable for contingent or consequential damages, or for expenses sustained as a result of incorrect application, incorrect adjustment, or a malfunction.

1. Warnings



DANGER: ARC FLASH AND SHOCK HAZARD

Appropriate PPE and tools required when working on this equipment. Refer to NFPA 70E for arc flash protection PPE requirements



WARNING: Installation should be completed by qualified personnel following all national, state, and local electrical codes. Have only qualified personnel service this equipment. If you are not qualified to service this equipment, you can injure yourself or others, or cause equipment damage.



WARNING: This product can expose you to chemicals including carbon black, nickel, antimony trioxide and titanium dioxide which is known to the State of California to cause cancer. For more information, go to www.P65Warnings.ca.gov.

2. Overview



Description

The Littelfuse LFCP series fused coordination panel is a compact fusible and easily configurable pre-engineered panel for circuits requiring selective coordination. Rated up to 600 V ac, this coordination panel saves time and money, plus increases safety, by minimizing system downtime.

The advanced LFCP series is available with 200 kA SCCR rating using Class CC and J fuses and can be used on branch and feeder/service entrance circuits.

Features/Benefits

- Meets NEC selective coordination code requirements
- Main lug only or main fused disconnect options available
- Class CC fuse holders have built-in open-circuit indication
- 35 A–200 A Class J fuses are available with open-circuit indication
- Uses standard disconnects and Class CC and J fuses
- Feed-through lugs available
- Neutral options are configurable for service entrance
- Ground options can be field isolated
- Copper bus standard
- Surface mount
- Available in standard 20" width enclosure for easy installation
- Door-in-door construction standard
- NEMA 1 indoor enclosure

Additional Design Options

- 200 % neutral rating
- Spare fuse storage (holds 10 spare CC fuses)
- Surge protective device overvoltage protection

Specifications

Voltage Ratings	600Vac or less*
Ampere Ratings	60A, 100A and 200A
Conductor Terminals	See next page
UL Listed	UL67 Enclosed Panelboard
SCCR	200kA at 600Vac

* Suitable for 120/208, 277/480 and 600 V ac applications

Applications

- Elevators
- Hospitals and medical centers
- Hotels
- Entertainment industry
- Amusement parks and stadiums
- Multi-unit residential constructions
- Schools

Code Requirements

NEC requires that the following systems be selectively coordinated:

- Health Care Essential Electrical Systems (NEC 517.26)
- Elevators (NEC 620.62)
- Emergency Systems (NEC 700.32 in 2017) (NEC 700.28 in 2014)
- Legally Required Standby Systems (NEC 701.18)
- Critical Operations Power Systems (NEC 708.54)

Web Resources

For more information, visit: Littelfuse.com/LFCP

2. Overview (continued)

Part Numbering System

LFCP6 FD 30 - 00 4 S B T = Littelfuse Catalog Number LFCP6FD30-004SBT

LITTELFUSE PANEL CATALOG NUMBER		MAIN DEVICE		TOTAL BRANCH CIRCUITS		60 A BRANCH CIRCUITS (AVAILABLE IN 3 POLE ONLY)		PANEL VOLTAGE		SURGE PROTECTION		FEED		BUSBAR PLATING	
Required		Required		Required		Required		Required		Optional		Optional		Optional	
Catalog Number	Rating	Type	Code	Quantity	Code	Quantity	Code	Type	Code	Type	Code	Type	Code	Type	Code
LFCP6	60 A	Fused Disconnect	FD	18	18	0	00	120/208 V	2	SPD2 Series	S	Top (Standard)	Blank	Un-plated (Standard)	Blank
LFCP1	100 A			24	24	3	03								
LFCP2	200 A	Main Lug Only	ML	30	30	6	06	277/480 V	4			Bottom	B	Tin	T
				36	36	9	09								
				42	42	12	12								

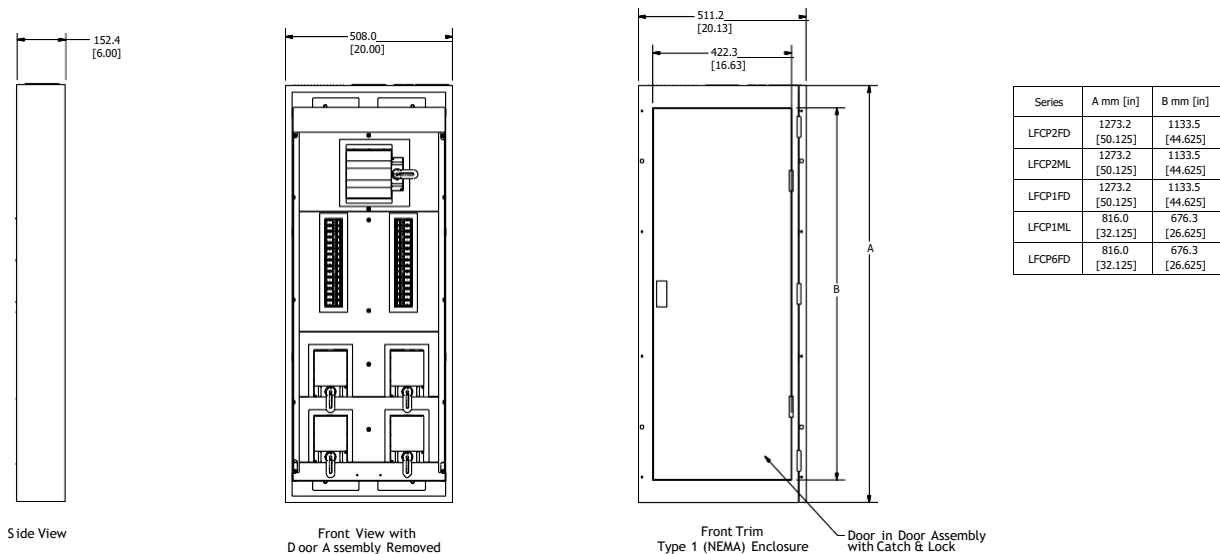
Physical Characteristics

ENCLOSURE SIZE	PANEL CIRCUIT	"A" DIMENSIONAL HEIGHT	"B" DIMENSIONAL HEIGHT	TYPE(S)	MAIN WIRE RANGE (AWG)	NEUTRAL WIRE RANGE (AWG)	GROUND WIRE RANGE (AWG)	FEED-THROUGH WIRE RANGE (AWG)
20"Wx50"H	200 A	1273.2 [50.125]	1133.5 [44.625]	MLO	6-300 kcmil	4-600 kcmil	6-350 kcmil	N/A
				Fused Disconnect	4-300 kcmil	4-600 kcmil	6-350 kcmil	6-3/0
	100 A	Fused Disconnect	14-2/0	6-350 kcmil	6-350 kcmil	6-3/0		
20"Wx32"H	175 A	816.0 [32.125]	676.3 [26.625]	MLO	6-3/0	6-350 kcmil* 4-600 kcmil*	6-350 kcmil	N/A
	60 A			Fused Disconnect	14-4	6-350 kcmil	6-350 kcmil	6-3/0

Note: 200 % neutral wire ranges are shown.

*Dependent on specific panel amperage to provide 200 % rated neutral.

Dimensions Millimeters (inches)



Disclaimer Notice – Information furnished is believed to be accurate and reliable. However, users should independently evaluate the suitability of and test each product selected for their own applications. Littelfuse products are not designed for, and may not be used in, all applications. Read complete Disclaimer Notice at www.littelfuse.com/product-disclaimer.

3. Standard Configurations

Enclosure Size	Panel Amps	#30 A Cir	#60 A Cir	Main Type	Feed Through Lugs	Part Number			
20" W x 50" H	110 - 200	42	0	Main Lug Only	NO	LFCP2ML42-00			
				Fused Disconnect	YES	LFCP2FD42-00			
		36	0	0	Main Lug Only	NO	LFCP2ML36-00		
					Fused Disconnect	YES	LFCP2FD36-00		
			3	3	3	Main Lug Only	NO	LFCP2ML39-03	
						Fused Disconnect	YES	LFCP2FD39-03	
				6	6	6	Main Lug Only	NO	LFCP2ML42-06
							Fused Disconnect	YES	LFCP2FD42-06
		30	0	0	Main Lug Only	NO	LFCP2ML30-00		
					Fused Disconnect	YES	LFCP2FD30-00		
			3	3	3	Main Lug Only	NO	LFCP2ML33-03	
						Fused Disconnect	YES	LFCP2FD33-03	
			6	6	6	Main Lug Only	NO	LFCP2ML36-06	
						Fused Disconnect	YES	LFCP2FD36-06	
			9	9	9	Main Lug Only	NO	LFCP2ML39-09	
						Fused Disconnect	YES	LFCP2FD39-09	
			12	12	12	Main Lug Only	NO	LFCP2ML42-12	
						Fused Disconnect	YES	LFCP2FD42-12	
		24	0	0	Main Lug Only	NO	LFCP2ML24-00		
					Fused Disconnect	YES	LFCP2FD24-00		
			3	3	3	Main Lug Only	NO	LFCP2ML27-03	
						Fused Disconnect	YES	LFCP2FD27-03	
			6	6	6	Main Lug Only	NO	LFCP2ML30-06	
						Fused Disconnect	YES	LFCP2FD30-06	
			9	9	9	Main Lug Only	NO	LFCP2ML33-09	
						Fused Disconnect	YES	LFCP2FD33-09	
			12	12	12	Main Lug Only	NO	LFCP2ML36-12	
						Fused Disconnect	YES	LFCP2FD36-12	
			18	0	0	Main Lug Only	NO	LFCP2ML18-00	
						Fused Disconnect	YES	LFCP2FD18-00	
				3	3	3	Main Lug Only	NO	LFCP2ML21-03
							Fused Disconnect	YES	LFCP2FD21-03
		6		6	6	Main Lug Only	NO	LFCP2ML24-06	
						Fused Disconnect	YES	LFCP2FD24-06	
		9		9	9	Main Lug Only	NO	LFCP2ML27-09	
						Fused Disconnect	YES	LFCP2FD27-09	
	12	12		12	Main Lug Only	NO	LFCP2ML30-12		
					Fused Disconnect	YES	LFCP2FD30-12		
	70 - 100	42	0	Fused Disconnect	YES	LFCP1FD42-00			
				Fused Disconnect	YES	LFCP1FD36-00			
		36	3	3	Fused Disconnect	YES	LFCP1FD39-03		
					Fused Disconnect	YES	LFCP1FD42-06		
		30	0	0	Fused Disconnect	YES	LFCP1FD30-00		
					Fused Disconnect	YES	LFCP1FD33-03		
			6	6	6	Fused Disconnect	YES	LFCP1FD36-06	
						Fused Disconnect	YES	LFCP1FD39-09	
			12	12	12	Fused Disconnect	YES	LFCP1FD42-12	
						Fused Disconnect	YES	LFCP1FD24-00	
		24	3	3	Fused Disconnect	YES	LFCP1FD27-03		
					Fused Disconnect	YES	LFCP1FD30-06		
			9	9	9	Fused Disconnect	YES	LFCP1FD33-09	
						Fused Disconnect	YES	LFCP1FD36-12	
			12	12	12	Fused Disconnect	YES	LFCP1FD18-00	
						Fused Disconnect	YES	LFCP1FD21-03	
		18	6	6	Fused Disconnect	YES	LFCP1FD24-06		
					Fused Disconnect	YES	LFCP1FD27-09		
			12	12	12	Fused Disconnect	YES	LFCP1FD30-12	
						Fused Disconnect	YES	LFCP1FD30-12	

3. Standard Configurations (continued)

Enclosure Size	Panel Amps	#30 A Cir	#60 A Cir	Main Type	Feed Through Lugs	Part Number
20" W x 32" H	35 - 175	30	N/A	Main Lug Only	NO	LFCP1ML30-00
		24	N/A	Main Lug Only	NO	LFCP1ML24-00
		18	N/A	Main Lug Only	NO	LFCP1ML18-00
	35 - 60	30	N/A	Fused Disconnect	YES	LFCP6FD30-00
		24	N/A	Fused Disconnect	YES	LFCP6FD24-00
		18	N/A	Fused Disconnect	YES	LFCP6FD18-00
Note: Available options can be added to the panel configurations above as needed (see page 4). 60 A circuits are available as 3 pole disconnects. Character 13, not shown in table, denotes system voltage (Vac). ["2" = 120/208 and "4" = 277/480] Ex. LFCP2ML42-002 is a 120/208 Vac panel						

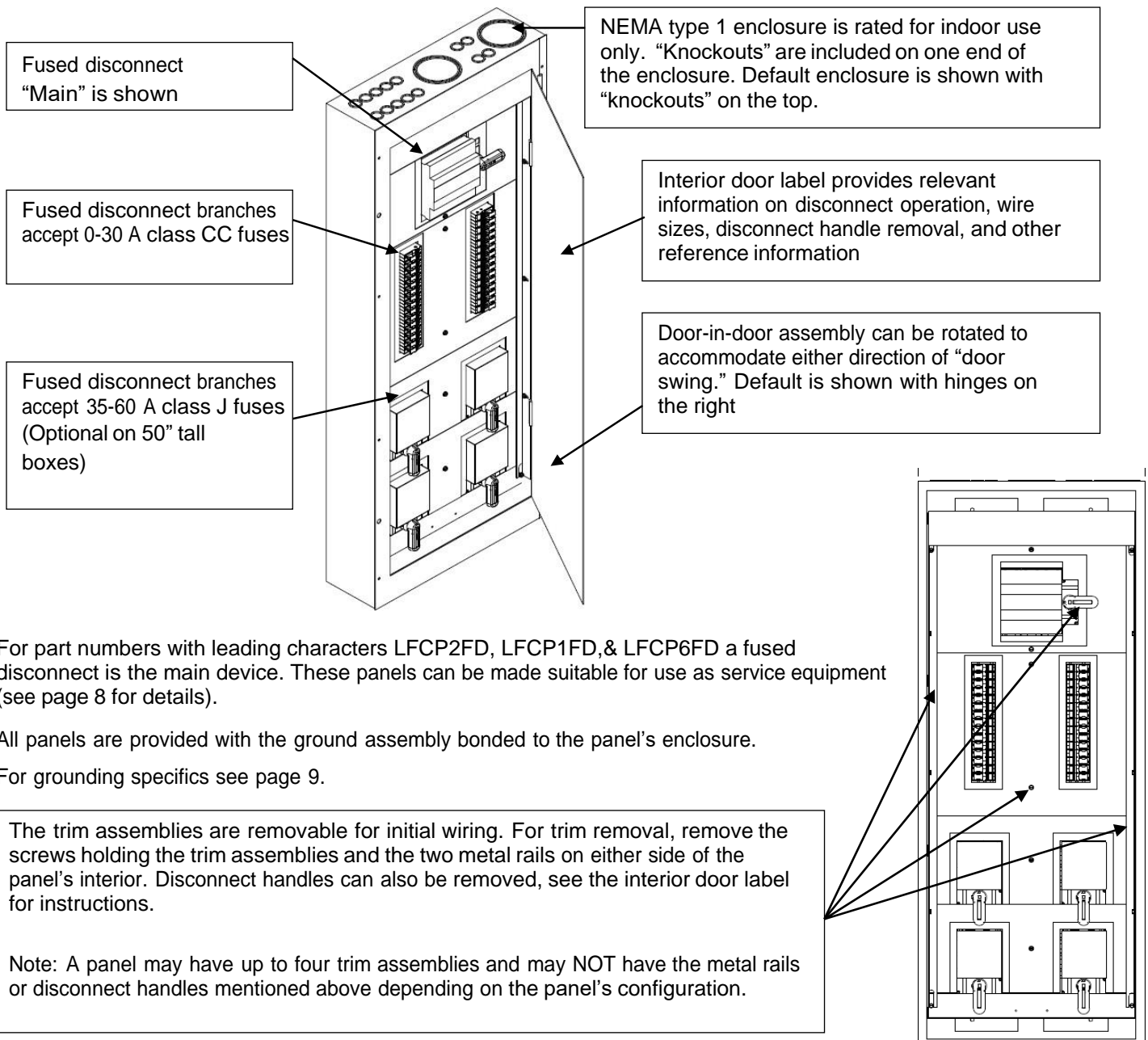
4. Understanding Your Panel

LFCP coordination panels may be received with a variety of options. This page will help you understand the options that may be included on your panel.



WARNING: SHOCK HAZARD

All service must be completed by authorized personnel only. During service, the main disconnect should be in the "Off" position, and power should be turned off upstream of the panel if possible.



For part numbers with leading characters LFCP2FD, LFCP1FD, & LFCP6FD a fused disconnect is the main device. These panels can be made suitable for use as service equipment (see page 8 for details).

All panels are provided with the ground assembly bonded to the panel's enclosure.

For grounding specifics see page 9.

5. Labeling & Service Entrance

In order to use your panel for “**service entrance**” applications, the following conditions must be met.

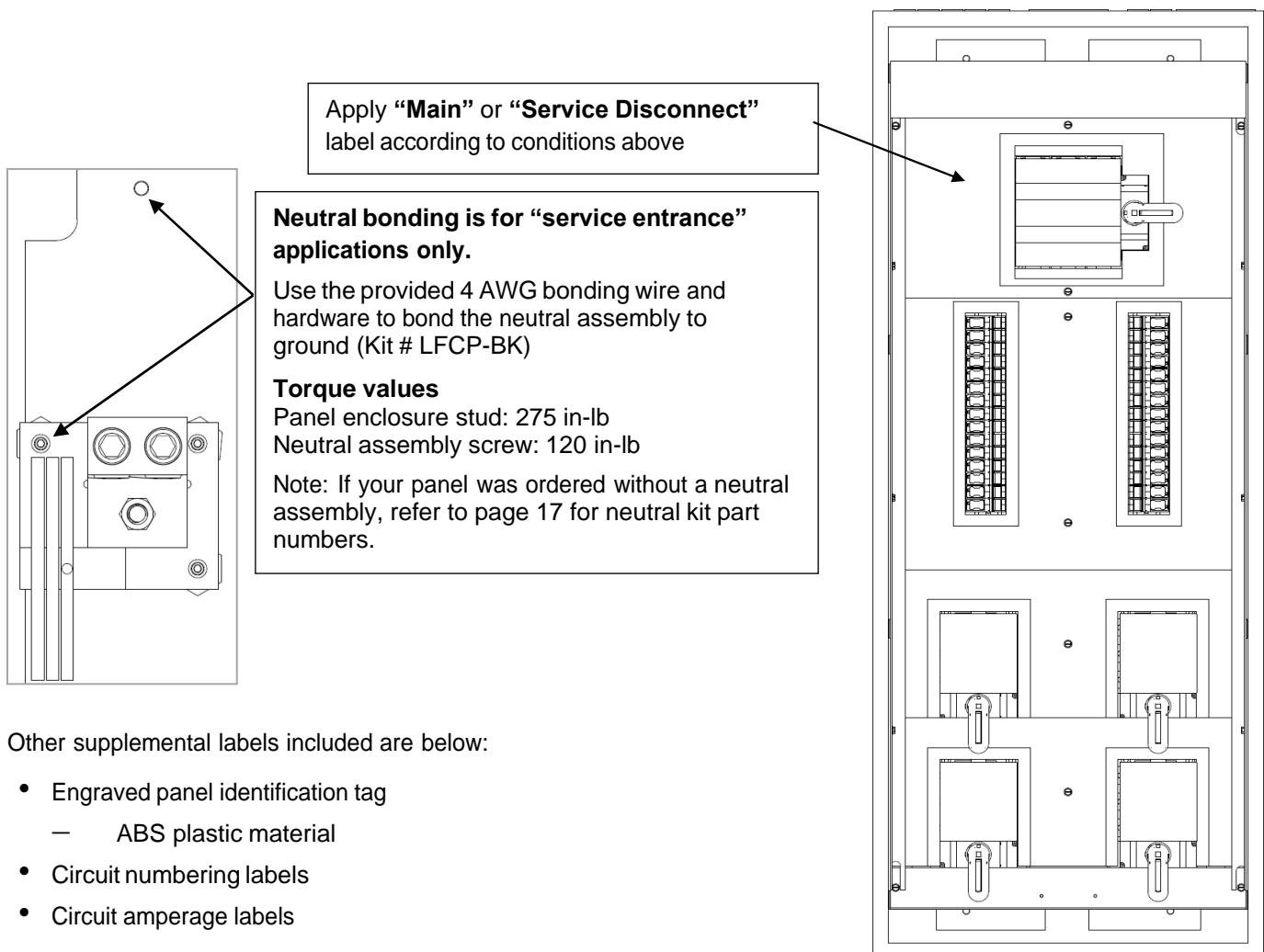
1. The panel’s part number must have leading characters of LFCP2FD, LFCP1FD, or LFCP6FD
2. The neutral assembly must be bonded to ground (see instructions below)
3. The ground assembly must remain bonded to the enclosure (see page 9)
4. The panel must be marked near the main disconnect as “Service Disconnect” with the label provided

Note: Panels with a main fused disconnect and not used as “service entrance” should be marked “Main” with the label provided



WARNING: SHOCK HAZARD

All service must be completed by authorized personnel only. During service, the main disconnect should be in the “Off” position, and power should be turned off upstream of the panel if possible.



Other supplemental labels included are below:

- Engraved panel identification tag
 - ABS plastic material
- Circuit numbering labels
- Circuit amperage labels

6. Grounding Specifics



WARNING: SHOCK HAZARD

Isolating the ground can only be done safely in select applications. Authorized personnel must review the application and complete the ground isolation if required.

Note: Isolating the ground does not allow the panel to be used for “service entrance” and may void the panel’s approval.

Fully enclosed LFCP panelboards are built with the ground assembly bonded to the back panel and enclosure. This bond provides a safe and secure grounding system. It is not recommended that this bond be removed. If the specific application requires an “isolated ground” follow the directions below.

To isolate the ground assembly from the back panel, remove the 4 AWG cable connecting the two points shown below. Please note that this must be approved and completed by authorized personnel.

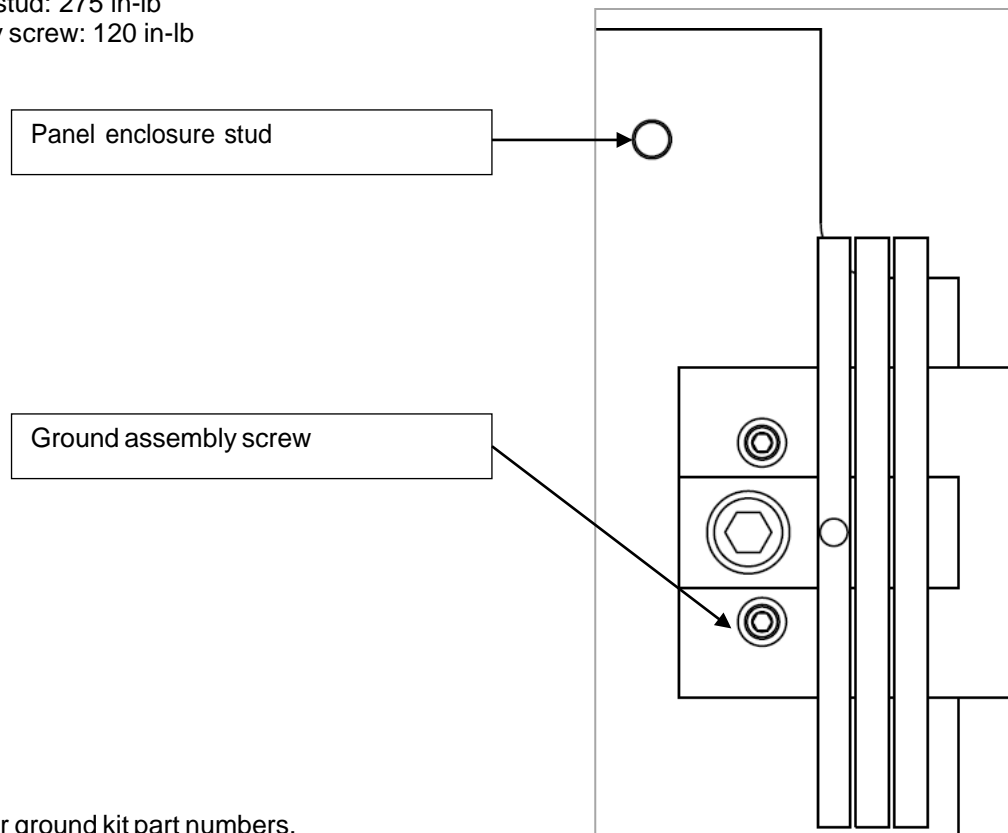
If the 4 AWG cable is mistakenly removed, reinstall using the torque values below.

Note: Grounding cable is not shown in graphic

Torque values

Panel enclosure stud: 275 in-lb

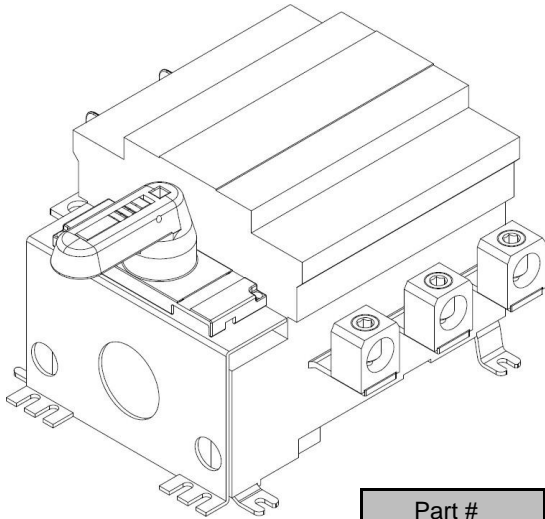
Ground assembly screw: 120 in-lb



Refer to page 17 for ground kit part numbers.

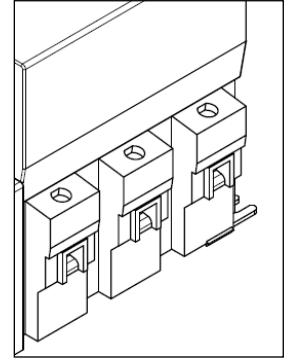
7. Wiring Reference

Main Device “Line” Connections – Fused Disconnect



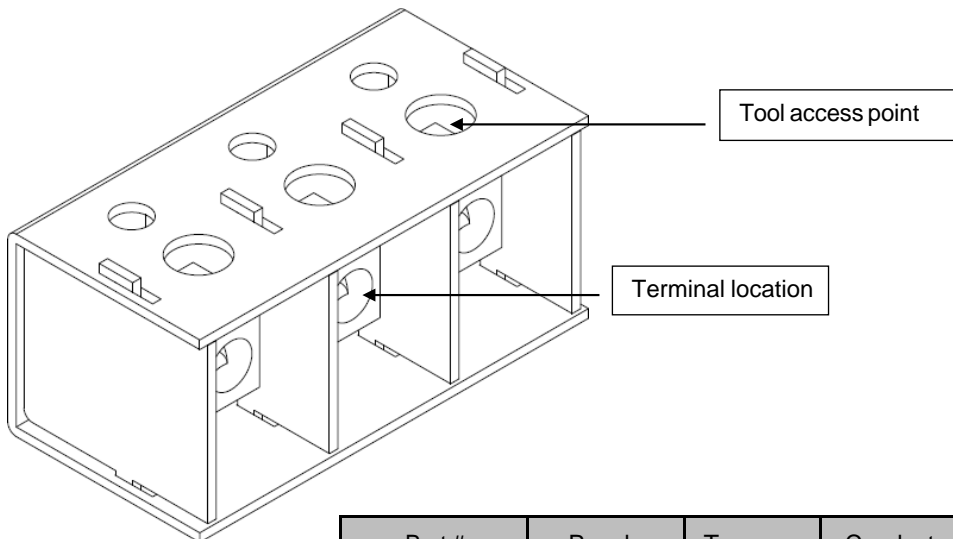
200 A main fused disconnect shown without protective shrouds

Partial view 60 A main fused disconnect terminals



Part # Reference	Panel Amps	Torque (in-lb)	Conductor Rating	Conductor Range	Conductor Material
LFCP2FD	110 - 200	200	75C	300kcmil - 4	CU-AL
LFCP1FD	70 - 100	120	75C	2/0 - 14	CU-AL
LFCP6FD	35 - 60	35	75C	4 - 8	CU ONLY
		30	75C	10 - 14	CU ONLY

Main Device “Line” Connections – Main Lug Only



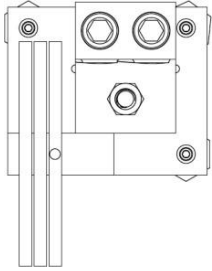
Main bus not shown

Part # Reference	Panel Amps	Torque (in-lb)	Conductor Rating	Conductor Range	Conductor Material
LFCP2ML	110 - 200	275	75C	300kcmil - 6	CU-AL
LFCP1ML	35 - 175	120	75C	3/0 - 6	CU-AL

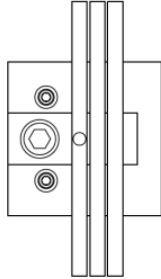
All conductor sizes are AWG unless otherwise specified

7. Wiring Reference (continued)

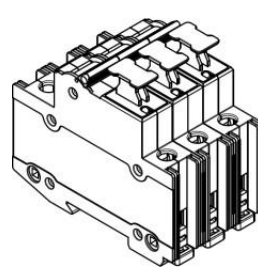
Other Connection Examples



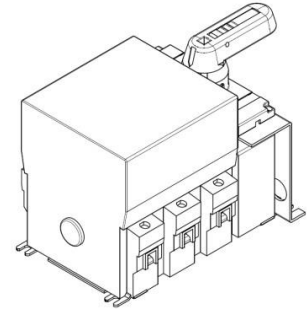
Neutral assembly



Ground assembly



30 A Branch



60 A Branch

Style	Part # Reference	Panel Amps	Torque (in-lb)	Conductor Rating	Conductor Range	Conductor Material
200% Neutral "Line"	LFCP2FD LFCP2ML LFCP1ML	110 - 200	500	75C	600kcmil - 4	CU-AL
	LFCP1FD LFCP1ML LFCP6FD	35 - 100	375	75C	350kcmil - 6	CU-AL
100% Neutral "Line"	LFCP2FD LFCP2ML LFCP1ML	110 - 200	375	75C	350kcmil - 6	CU-AL
Ground "Line"	All	35 - 200	375	75C	350kcmil - 6	CU-AL
Neutral & Ground Branches	All	35 - 200	35	75C	4 - 6	CU-AL
			25	75C	8	CU-AL
			20	75C	10 - 14	CU-AL

"Load" Connections

Connection Type	"Load" Amps	Torque (in-lb)	Conductor Rating	Conductor Range	Conductor Material
Feed Through	35 - 200	120	75C	3/0 - 6	CU-AL
Branch	0 - 30	18	75C	4 - 18 (str)	CU ONLY
			75C	10 - 18 (sol)	CU ONLY
Branch	35 - 60	35	75C	4 - 8	CU ONLY
		30	75C	10 - 14	CU ONLY

All conductor sizes are AWG unless otherwise specified

7. Wiring Reference (continued)

Feed Through Lugs

Feed through lugs are available if the panel's part number has leading characters of **LFCP2FD**, **LFCP1FD**, or **LFCP6FD**. These lugs allow a second panel to be wired downstream from the first panel sharing current with the first panel's main bus.

Potential Use Case

This configuration is advantageous if more than 42 circuits are desired on one main disconnect. To do so, two panels would be ordered the first with a main fused disconnect and the second with a main lug only. The new configuration would give up to 84 circuits on one main disconnect. The configuration's current draw would be limited to the current rating of the first panel's main device.

Specifics

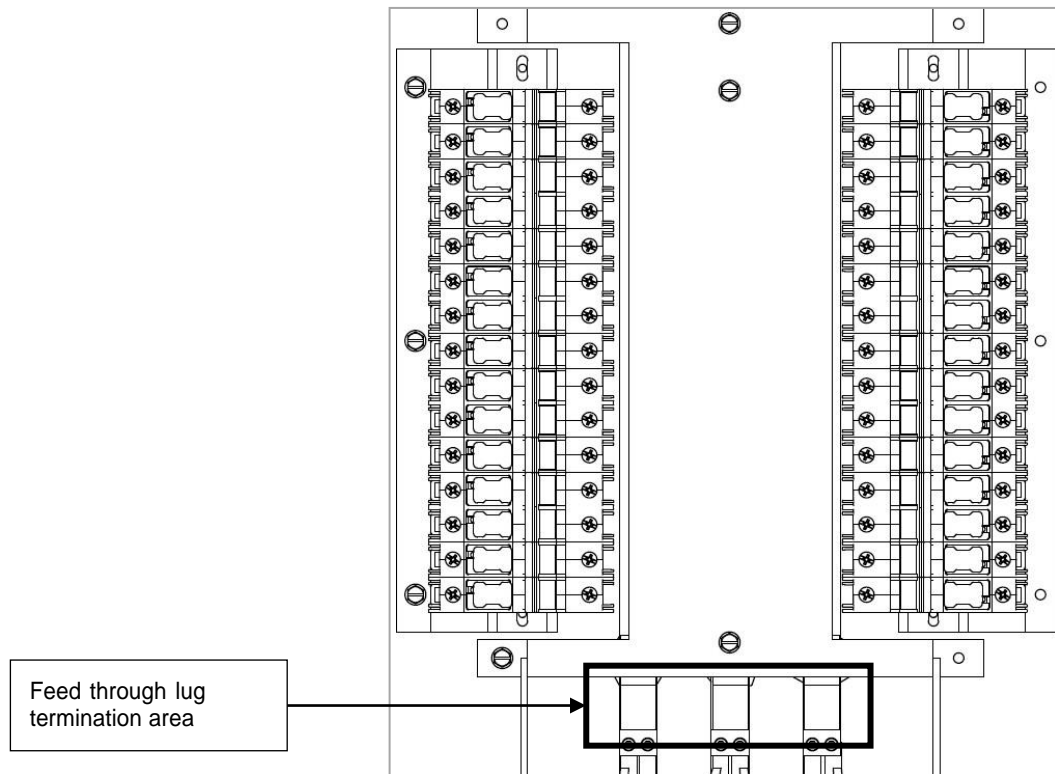
Wire size and torque information is on the previous page.

For an LFCP6FD panel:

The feed through lugs are positioned at the bottom of the panel, for a standard top feed panel. This would be reversed if a bottom feed panel was ordered.

For LFCP2FD & LFCP1FD panels:

The feed through lugs are positioned below the main bank of 30 A circuits and connected to the wire distribution area for the remaining 12 branch connection points for a standard top feed panel. This would be reversed if a bottom feed panel was ordered.



8. Disconnects

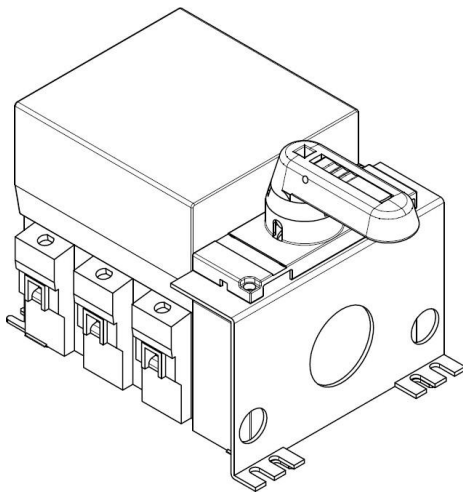


ABB OS Series Fused Disconnects

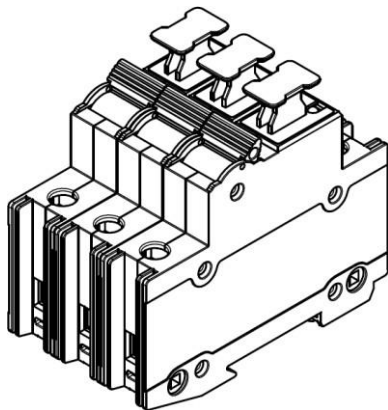
Details

- 60 A, 100 A, and 200 A versions are used as main devices on LFCP panels
- 60 A version can be used as a branch device on select LFCP panels
- Accepts standard UL class J fuses
 - Littelfuse JTD series is recommended
 - Details on page 14
- Acceptable for use up to 600 Vac
- Wiring information is on page 10
- Replacement part numbers below
- Field expansion kits listed on page 18
- Supports up to three padlocks in the “OFF” position

Marathon FDS Series Fused Disconnects

Details

- 30 A branch device used on LFCP panels
- Accepts standard UL class CC fuses
 - Littelfuse CCMR series is recommended
 - Details on page 14
- Acceptable for general use up to 600 Vac
- Wiring information is on page 11
- Replacement part numbers below
- Field expansion kits listed on page 18
- Lock-out device: BRADY P/N 90850 (not available from Littelfuse)



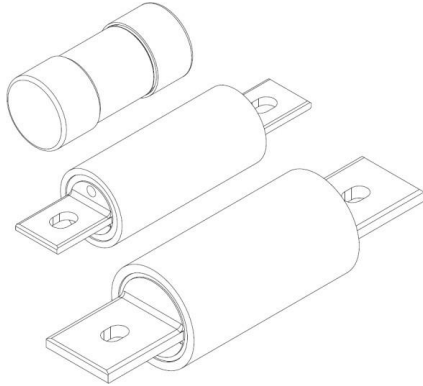
Part Description	Manufacturer Part #	Manufacturer
60 A FUSED DISCONNECT	*OS60GJ03	ABB
100 A FUSED DISCONNECT	*OS100GJ03	ABB
200 A FUSED DISCONNECT	*OS200J03	ABB
30 A FUSED DISCONNECT 1 POLE	FDS30C1	Marathon Special Products
30 A FUSED DISCONNECT 2 POLE	FDS30C2	Marathon Special Products
30 A FUSED DISCONNECT 3 POLE	FDS30C3	Marathon Special Products

*Replacement devices require reuse of handle assemblies and hardware from the original device.

9. Fuses

Littelfuse JTD Series Fuses

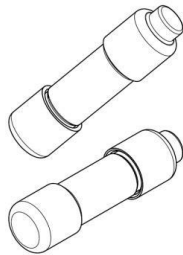
Details



- Class J UL listed fuses
- 200 kA interrupt rating at 600 Vac
- Common JTD ratings are listed in the table below
 - Part numbers containing XID have visual indication
- For more details visit Littelfuse.com/jtd

Littelfuse CCMR Series Fuses

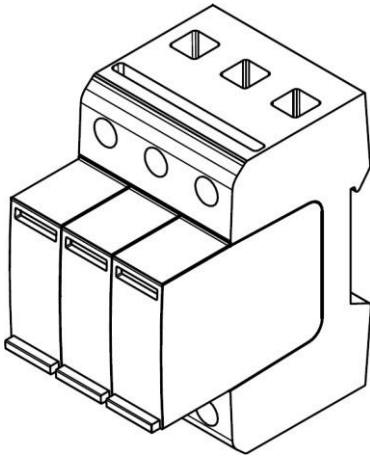
Details



- Class CC UL listed fuses
- 200 kA interrupt rating at 600 Vac
- Common CCMR ratings are listed in the table below
- For more details visit Littelfuse.com/ccmr

Part Description	Manufacturer Part #	Manufacturer
J 40 A FUSE	0JTD040.TXID	Littelfuse
J 50 A FUSE	0JTD050.TXID	Littelfuse
J 60 A FUSE	0JTD060.TXID	Littelfuse
J 100 A FUSE	0JTD100.V	Littelfuse
J 150 A FUSE	0JTD150.X	Littelfuse
J 175 A FUSE	0JTD175.X	Littelfuse
J 200 A FUSE	0JTD200.X	Littelfuse
CC 10 A FUSE	CCMR010.TXP	Littelfuse
CC 15 A FUSE	CCMR015.TXP	Littelfuse
CC 20 A FUSE	CCMR020.TXP	Littelfuse
CC 25 A FUSE	CCMR025.TXP	Littelfuse
CC 30 A FUSE	CCMR030.TXP	Littelfuse

10. Surge Protection



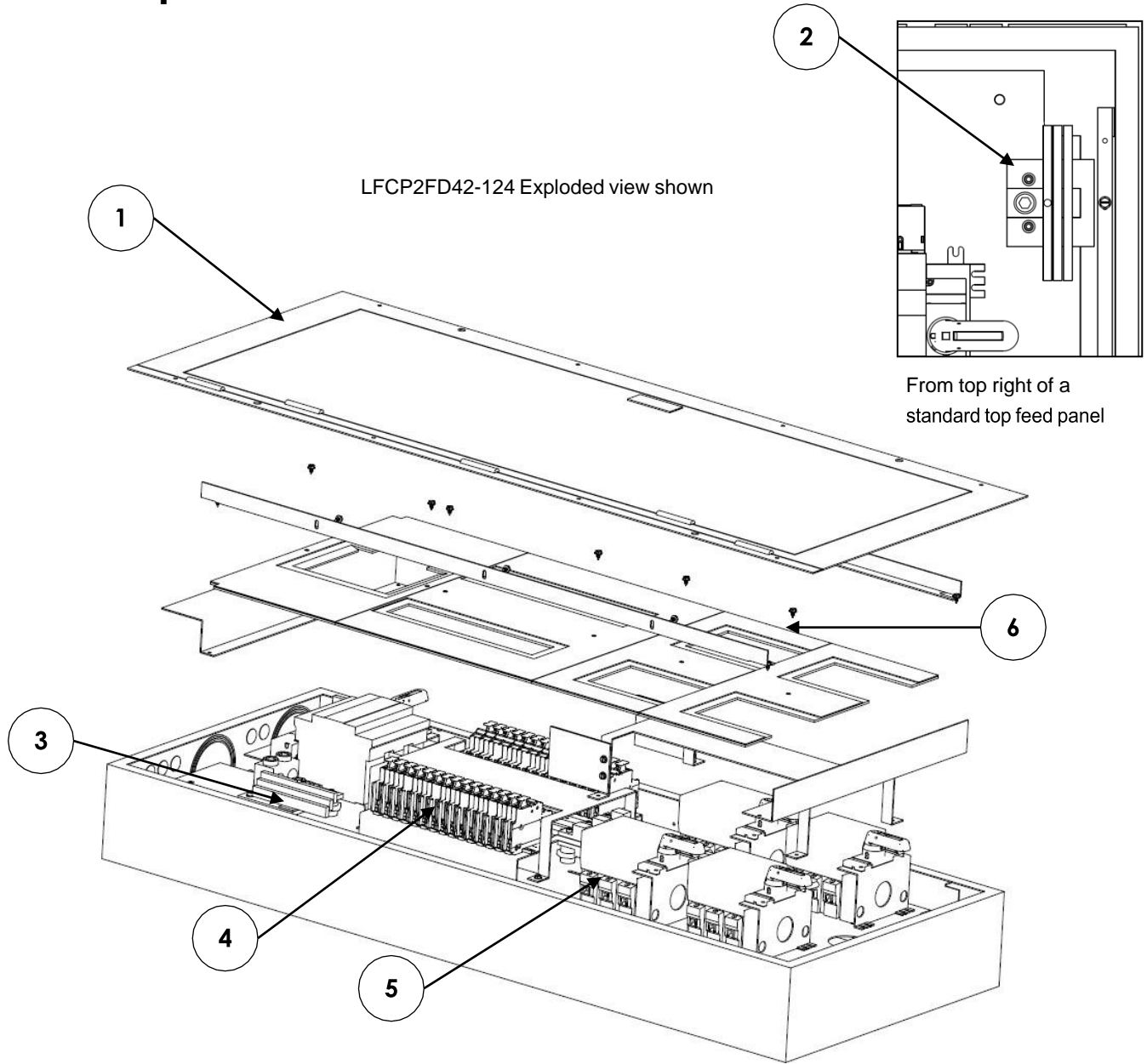
Littelfuse SPD2 Series

Details

- UL listed
- 600 Vac voltage protection
- 200 kA SCCR rating
- Preselected devices are listed below for common 3 phase applications
- For more details visit Littelfuse.com/spd

Part Description	Manufacturer Part #	Manufacturer
120/208 Vac SPD	SPD2-150-3P0-R	Littelfuse
277/480 Vac SPD	SPD2-350-3P0-R	Littelfuse
600 Vac SPD	SPD2-550-3P0-R	Littelfuse
120/208 Vac SPD	SPD2-150-4P0-R	Littelfuse
277/480 Vac SPD	SPD2-350-4P0-R	Littelfuse
600 Vac SPD	SPD2-550-4P0-R	Littelfuse

11. Field Expansion



Reference for expansion kits on pages 17 and 18

Item #	Description
1	Door assembly
2	Ground assembly
3	Neutral assembly
4	Standard 30 A branch
5	Expansion 30 A or 60 A branch
6	Expansion branch trim

11. Field Expansion (continued)

Item #	Kit #	Description	Compatible Panels	Notes
Door Assembly				
1	LFCP-D50	50" Door in door assembly with hardware	LFCP2FD LFCP2ML LFCP1FD	
1	LFCP-D32	32" Door in door assembly with hardware	LFCP6FD LFCP1ML	
Ground & Neutral Assembly Kits				
2	LFCP-GA4-42	42 Circuit ground assembly kit	LFCP2FD LFCP2ML LFCP1FD	Includes ground bonding kit
2	LFCP-GA4-36	36 Circuit ground assembly kit	LFCP6FD LFCP1ML	
3	LFCP-NA4-42T	400 A 42 Circuit neutral assembly kit (Top feed panel)	LFCP2FD LFCP2ML LFCP1FD	Sufficient for 200% neutral ratings on 200A panels
3	LFCP-NA4-42B	400 A 42 Circuit neutral assembly kit (Bottom feed panel)		
3	LFCP-NA4-30T	400 A 30 Circuit neutral assembly kit (Top feed panel)	LFCP6FD LFCP1ML	
3	LFCP-NA4-30B	400 A 30 Circuit neutral assembly kit (Bottom feed panel)		
3	LFCP-NA2-42T	200 A 42 Circuit neutral assembly kit (Top feed panel)	LFCP2FD LFCP2ML LFCP1FD	Sufficient for 100% neutral ratings on 200A panels
3	LFCP-NA2-42B	200 A 42 Circuit neutral assembly kit (Bottom feed panel)		
3	LFCP-NA2-30T	200 A 30 Circuit neutral assembly kit (Top feed panel)	LFCP6FD LFCP1ML	
3	LFCP-NA2-30B	200 A 30 Circuit neutral assembly kit (Bottom feed panel)		
	LFCP-BK	Ground or Neutral bonding kit	All	

11. Field Expansion (continued)

Item #	Kit #	Description	Compatible Panels	Notes	
Branch Disconnect Kits					
4	LFCP-SB3-AA	30 A Standard 6 circuit kit (Includes: 2x 3p disconnects)	All	Standard 30 A series kit that includes wiring, fused disconnects, & hardware for adding 6 circuits (pole combinations are listed in descriptions for 3 poles per side) Note: For use on panels with 30x 30 A circuits or less after field expansion	
4	LFCP-SB3-AB	30 A Standard 6 circuit kit (Includes: 1p, 2p, & 3p disconnects)			
4	LFCP-SB3-AC	30 A Standard 6 circuit kit (Includes: 3x 1p & 3p disconnects)			
4	LFCP-SB3-BB	30 A Standard 6 circuit kit (Includes: 2x 1p & 2x 2p disconnects)			
4	LFCP-SB3-BC	30 A Standard 6 circuit kit (Includes: 4x 1p & 2p disconnects)			
4	LFCP-SB3-CC	30 A Standard 6 circuit kit (Includes: 6x 1p disconnects)			
	LFCP-SW3	30A Branch wiring kit			Included in LFCP-SB3 series kits
5	LFCP-EB3-AA	30 A Expansion 6 circuit kit (Includes: 2x 3p disconnects)	LFCP2FD LFCP2ML LFCP1FD	Expansion 30 A series kit that includes wiring, fused disconnects, mounting, & hardware for adding 3 or 6 circuits (pole combinations are listed in descriptions) Requires additional LFCP-ET3 kit Note: For use on panels with more than 30x 30 A circuits after field expansion and up to 2x LFCP-EB3 6 circuit kits can be installed per panel	
5	LFCP-EB3-AB	30 A Expansion 6 circuit kit (Includes: 1p, 2p, & 3p disconnects)			
5	LFCP-EB3-AC	30 A Expansion 6 circuit kit (Includes: 3x 1p & 3p disconnects)			
5	LFCP-EB3-BB	30 A Expansion 6 circuit kit (Includes: 2x 1p & 2x 2p disconnects)			
5	LFCP-EB3-BC	30 A Expansion 6 circuit kit (Includes: 4x 1p & 2p disconnects)			
5	LFCP-EB3-CC	30 A Expansion 6 circuit kit (Includes: 6x 1p disconnects)			
5	LFCP-EB3-DE	30 A Expansion 6 circuit kit (Includes: 3x 2p disconnects)			
5	LFCP-EB3-AE	30 A Expansion 3 circuit kit (Includes: 3p disconnect)			
5	LFCP-EB3-BE	30 A Expansion 3 circuit kit (Includes: 1p & 2p disconnects)			
5	LFCP-EB3-CE	30 A Expansion 3 circuit kit (Includes: 3x 1p disconnects)			
5	LFCP-EB6-3	60 A 3-Pole branch disconnect kit (Requires additional LFCP-ET6 kit)			Includes wiring & disconnect assembly
6	LFCP-ET3	30 A Expansion trim kit (Supplement to LFCP-EB3 kits)			1 trim kit per panel is required with the purchase of one or more LFCP-EB3 kits
6	LFCP-ET6-6	60 A 6 Circuit trim kit (Supplement to LFCP-EB6 kits)			Required for applications with 6x or 12x 60 A circuits after field expansion
6	LFCP-ET6-3	60 A 3 Circuit trim kit (Supplement to LFCP-EB6 kits)			Required for applications with 3x or 9x 60 A circuits after field expansion

Reference schematic on page 16

12. Recommended Maintenance

- This product should not be in an environment greater than 75° Celsius (167° F)
- If the ambient temperature drastically changes, inspect the panel and ensure that the fuses and disconnects are still working correctly
- Occasionally clean by removing dust and other collective particles that may accumulate
- Ensure that fuses are still operational by checking circuit visual indicators
 - 30 A and below have visual indicators on the fused disconnect
 - If Littelfuse JTD.ID fuses are used on circuits greater than 30 A visual blown fuse indication is on the fuse itself
- Periodically inspect the panel exterior to ensure that the enclosure is properly protecting against debris and unauthorized access
- An annual review of the panel is recommended to make sure that the fused disconnects haven't loosened over time

13. Frequently Asked Questions

1. **Part of my panel is missing or was damaged during transit. What should I do?**

Please have your distributor contact Littelfuse customer service. Take pictures, if possible, to help Littelfuse file a claim with the courier.

2. **How can I change circuit's amperage?**

If the desired amperage is 30 A or less moving from an amperage of 30 A or less (or the desired amperage is greater than 30 A moving from an amperage greater than 30 A), a new fuse rating can be installed by a certified electrician (See page 14 for fuse information, 30 A or less class CC - Littelfuse CCMR, greater than 30 A class J - Littelfuse JTD) If changing the circuit from an amperage 30 A or less to an amperage greater than 30 A (or vice versa), consult factory.

3. **How can I get some extra circuit identifiers for the panel?**

Contact Littelfuse customer service

4. **Can I replace the Littelfuse fuse with another manufacturer's fuse?**

While Littelfuse would always prefer you use Littelfuse fuses for both your business and to keep the product solely Littelfuse for a single point of contact, it understands that sometimes you need a quick replacement and might not have a Littelfuse option. Yes, you can use any manufacturers' fuse that is UL-Listed to the same classification as the original Littelfuse product.

5. **For some reason there is a different manufacturers' fuse in your coordination panel. How can I cross it over to the Littelfuse product?**

Call the Littelfuse TEC-LINE (1-800-832-3873) for a simple cross or visit www.littelfuse.com for a simple cross reference tool.

6. **My fuse keeps opening on one of my circuits. Should I increase the amperage? No, the fuse is opening for a reason.**

Before you change fuse amperage, you should understand why the fuse is opening. Simply increasing the fuse amperage puts expensive equipment and people's safety at risk.

7. **Why can't I use other fused disconnect brands for replacement?**

These coordination panels were designed and built specifically with ABB and Marathon Special Products disconnects. To protect UL and ensure the product works correctly, the replacement device must be the same type, from the same manufacturer, and have an equal or greater interrupting rating than the original. Replacement devices greater than 30 A, require reuse of handle assemblies and hardware from the original device.

8. **Are there any technical concerns to changing or adding devices to my panel?**

Outside of general field installation and wiring, any modifications made to your panel, not specified in the "Field Expansion" section of this manual, page 16, may violate UL's approval and change the panel's electrical coordination properties. These modifications are not recommended by Littelfuse. If a device needs to be replaced due to wear or damage, see question #7 above and pages 13 through 18 for original equipment descriptions and replacement kit information.