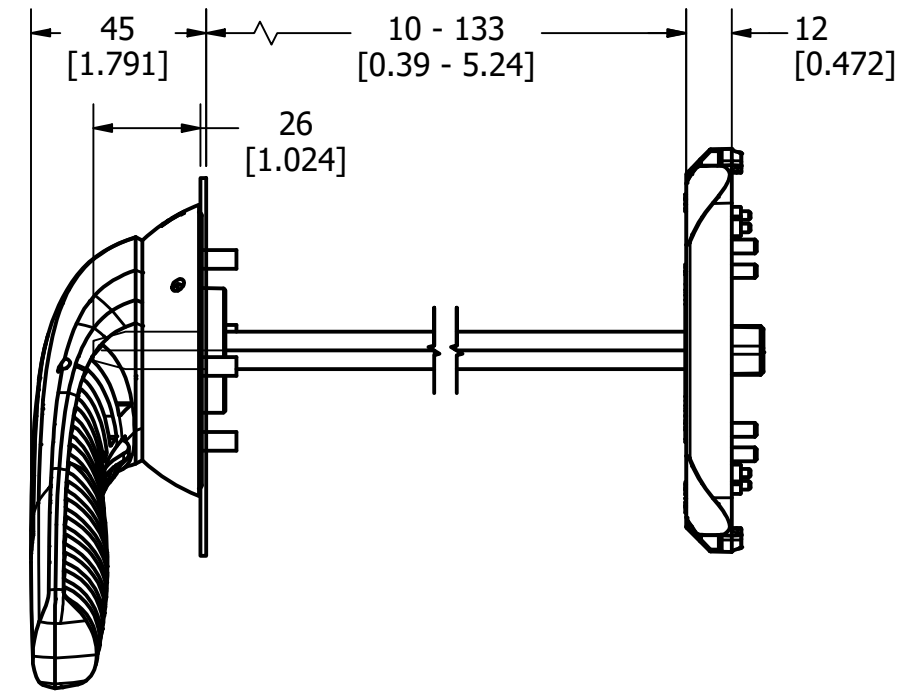
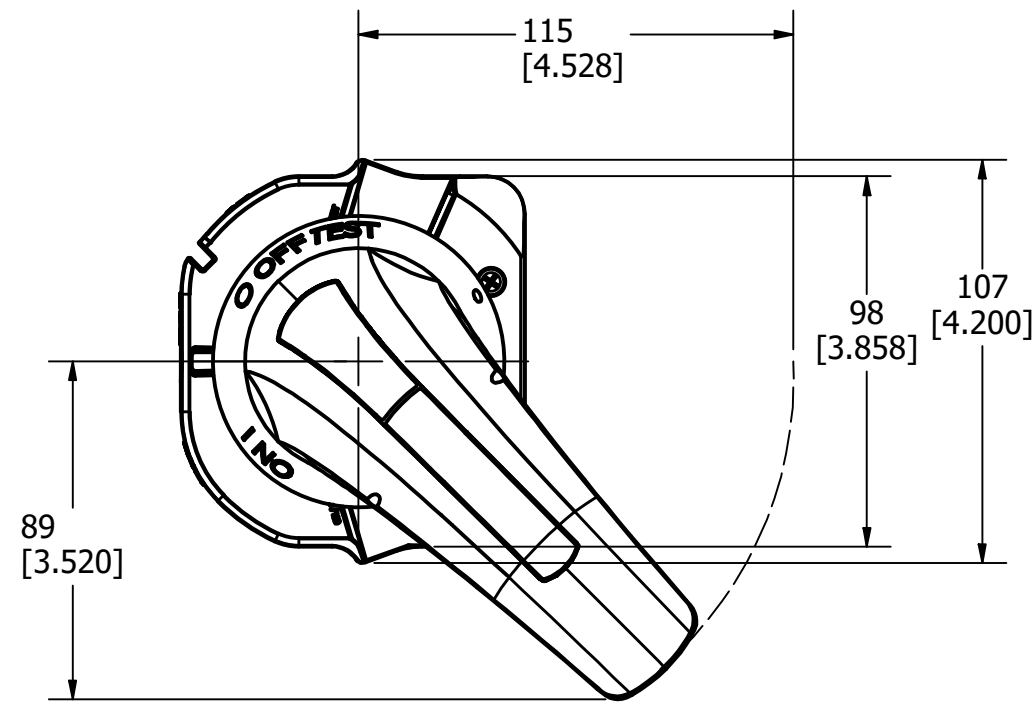
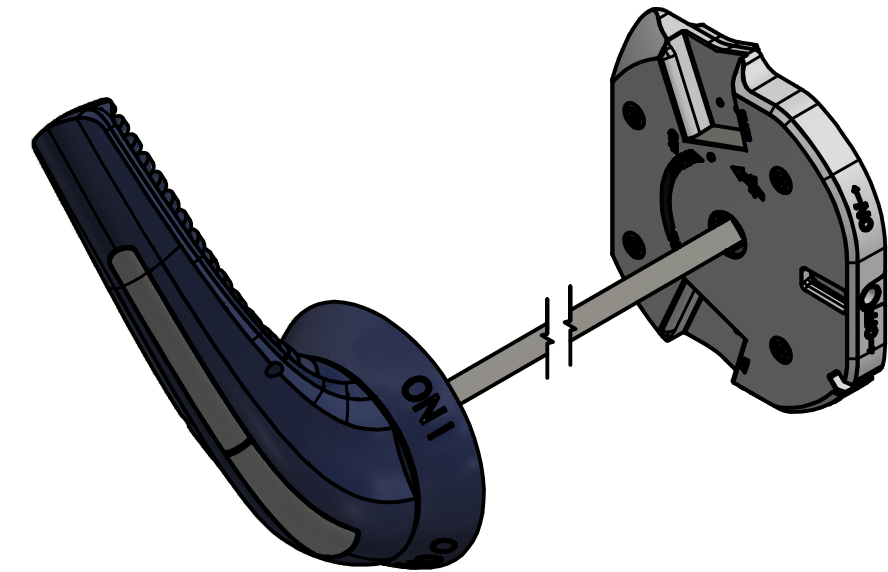
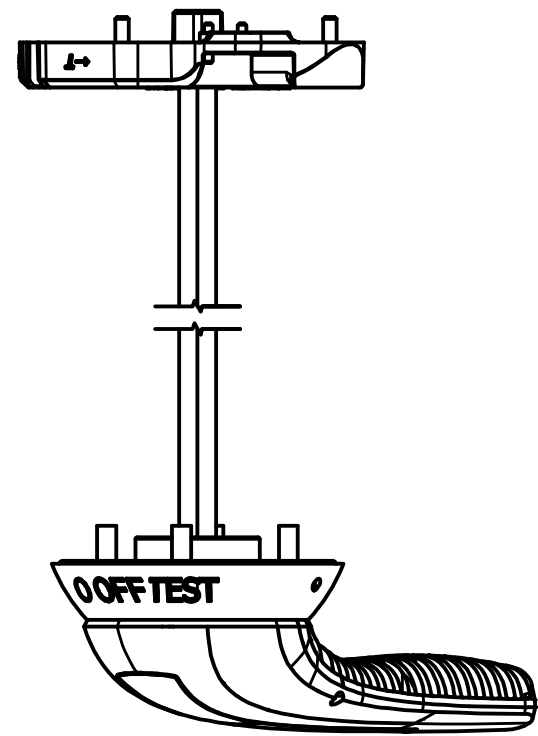


| | |
|-------------|-------------|
| PART NUMBER | UPC CODE |
| LDM3SB11 | 07945831133 |

| REVISION | | DESCRIPTION |
|----------|---------|-------------------------|
| REV | DATE | |
| A | 5/15/23 | 526513GCP - RELEASE MRY |



| 1 | NO | COMPONENT NO | DESCRIPTION | QTY/M | U/M |
|---|-------|--------------|--|-------------|--------------|
| BILL OF MATERIAL | | | | | |
| <S> | | | CRITICAL CHARACTERISTIC FOR PART SAFETY/COMPLIANCE | | |
| ● | | | DENOTES CRITICAL CHARACTERISTICS. | | |
| CPK | | | DENOTES CPK DIMENSIONS, -MINIMUM CPK VALUE | | |
| (ST) | | | DENOTES A CHARACTERISTIC THAT PROVIDES AN INDICATION OF PROCESS PERFORMANCE. PROCEDURE FOR MEASUREMENT AND TRACKING TO BE DEFINED IN LITTELFUSE INSPECTION INSTRUCTIONS. | | |
| CP | | | DENOTES CP DIMENSIONS, -MINIMUM CP VALUE MUST BE WITHIN THE DIMENSIONAL LIMITATIONS SHOWN ON DRAWING AND INITIALLY LOCATED TO ALLOW FOR MAXIMUM TOOL LIFE. | | C |
| MATL SPEC | | | FINISH | | |
| DRW | myork | DATE | 4/26/2023 | SCALE | NTS |
| | | | FINISH GOOD WT | | |
| | | | GRAMS/PIECE | | |
| UNLESS OTHERWISE SPECIFIED, DIMENSIONS ARE IN MILLIMETERS, DIMENSIONS IN BRACKETS [] ARE INCHES DIMENSIONING AND DO NOT INCLUDE PLATING. TOLERANCING TO BE INTERPRETED IN ACCORDANCE WITH ANSI Y14.5M-1994 | | | | | |
| 3RD ANGLE PROJECTION | | | | | |
| TITLE LATERAL EXTERNAL HANDLE ON-OFF-TEST 100-200A OUTLINE | | | | | |
| Littelfuse CHICAGO, ILLINOIS 60631 | | | REVISION | DRWG NO. | SHEET 1 OF 1 |
| | | | A | OL-LDM3SB11 | |