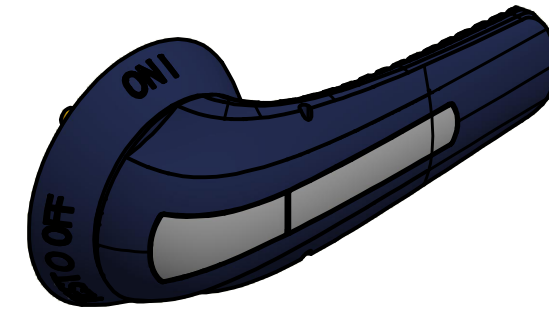
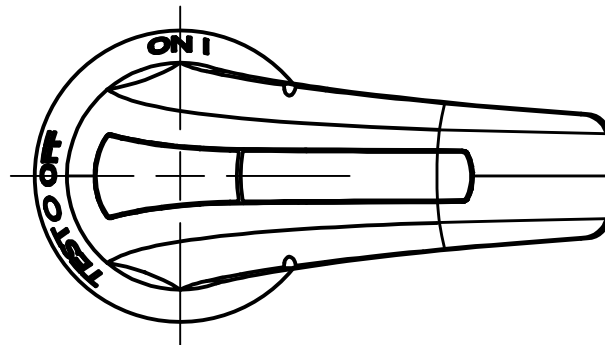
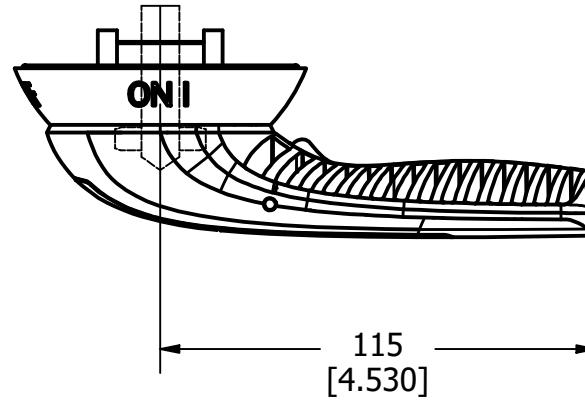
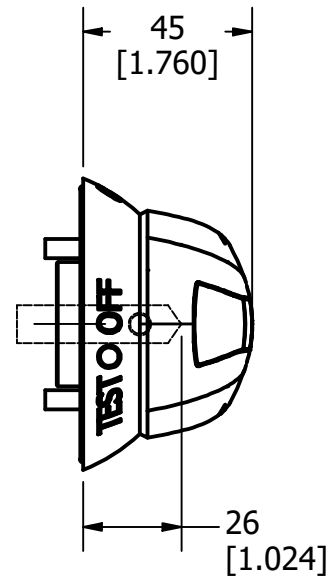


| | |
|-------------|-------------|
| PART NUMBER | UPC CODE |
| LDM3SA11 | 07945831091 |

| REVISION | | |
|----------|---------|-------------------------|
| REV | DATE | DESCRIPTION |
| A | 5/15/23 | 526513GCP - RELEASE MRY |



| 1 | NO | COMPONENT NO | DESCRIPTION | QTY/M | U/M |
|---|--|--------------|-------------------------------|-------------------------|--------------|
| BILL OF MATERIAL | | | | | |
| <S> | CRITICAL CHARACTERISTIC FOR PART SAFETY/COMPLIANCE | | | | |
| ● | DENOTES CRITICAL CHARACTERISTICS. | | | | |
| CPK | DENOTES CPK DIMENSIONS, -MINIMUM CPK VALUE | | | | |
| ⊆ | DENOTES A CHARACTERISTIC THAT PROVIDES AN INDICATION OF PROCESS PERFORMANCE. PROCEDURE FOR MEASUREMENT AND TRACKING TO BE DEFINED IN LITTELFUSE INSPECTION INSTRUCTIONS. | | | | |
| CP | DENOTES CP DIMENSIONS, -MINIMUM CP VALUE MUST BE WITHIN THE DIMENSIONAL LIMITATIONS SHOWN ON DRAWING AND INITIALLY LOCATED TO ALLOW FOR MAXIMUM TOOL LIFE. B | | | | |
| MATL SPEC | | | FINISH | | |
| DRW myork | DATE 12/16/2022 | SCALE NTS | FINISH GOOD WT GRAMS/PIECE | | |
| UNLESS OTHERWISE SPECIFIED, DIMENSIONS ARE IN MILLIMETERS, DIMENSIONS IN BRACKETS [] ARE INCHES DIMENSIONING AND DO NOT INCLUDE PLATING. TOLERANCING TO BE INTERPRETED IN ACCORDANCE WITH ANSI Y14.5M-1994 | | | | | |
| 3RD ANGLE PROJECTION | | | | | |
| TITLE EXTERNAL HANDLE ON-OFF-TEST 100-200A OUTLINE | | | | | |
| Littelfuse CHICAGO, ILLINOIS 60631 | | | REVISION A | DRWG NO. OL-LDM3SA11 | SHEET 1 OF 1 |