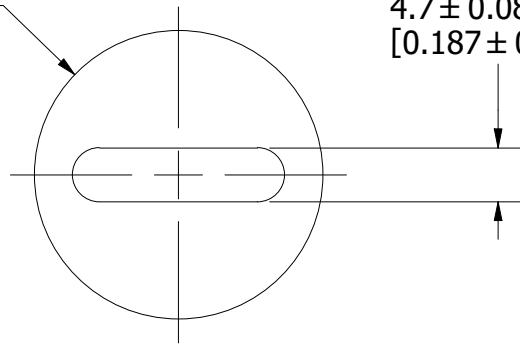
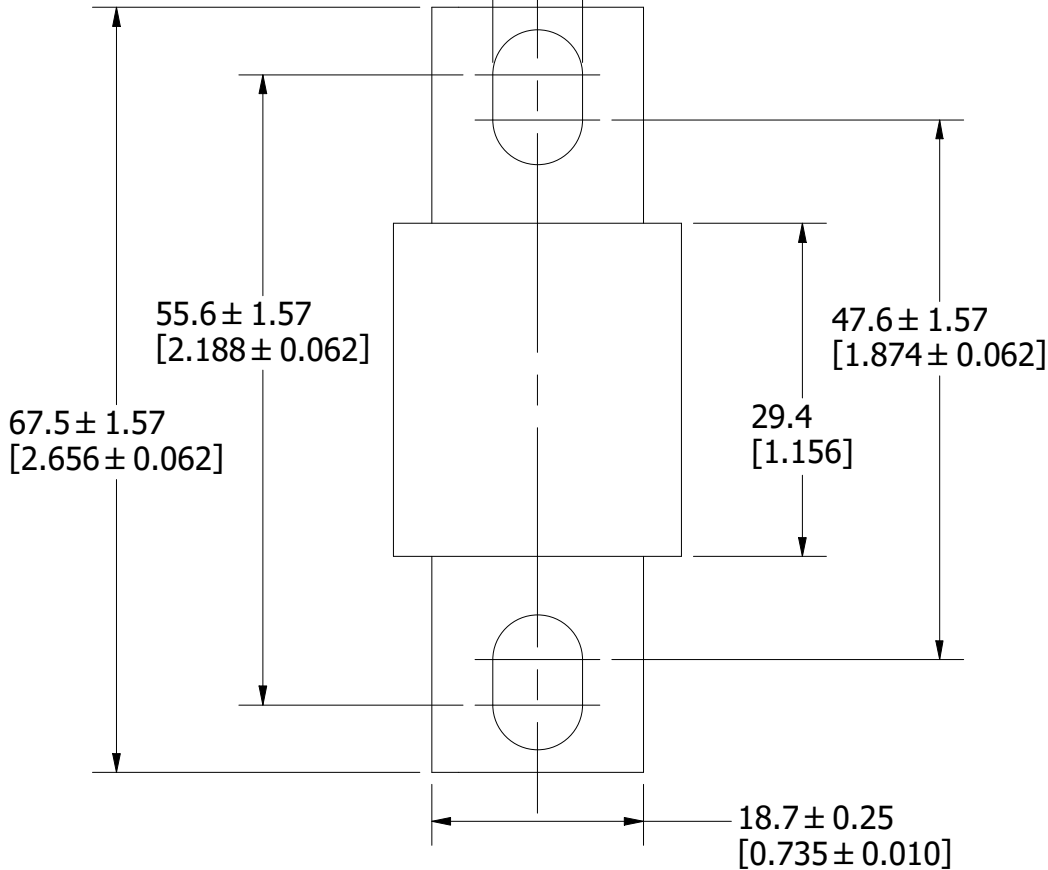


$\varnothing 25.4 \pm 0.18$   
 $[\varnothing 1.000 \pm 0.007]$

$4.7 \pm 0.08$   
 $[0.187 \pm 0.003]$



$7.9 \pm 0.13$   
 $[0.312 \pm 0.005]$



REVISION

REV	DATE	DESCRIPTION
A	6/27/23	526651GCP - RELEASE MRY

1	NO	COMPONENT NO	DESCRIPTION	QTY/M	U/M
---	----	--------------	-------------	-------	-----

**BILL OF MATERIAL**


<S>	CRITICAL CHARACTERISTIC FOR PART SAFETY/COMPLIANCE				
●	DENOTES CRITICAL CHARACTERISTICS.				
CPK	DENOTES CPK DIMENSIONS, -MINIMUM CPK VALUE				
⊠	DENOTES A CHARACTERISTIC THAT PROVIDES AN INDICATION OF PROCESS PERFORMANCE. PROCEDURE FOR MEASUREMENT AND TRACKING TO BE DEFINED IN LITTELFUSE INSPECTION INSTRUCTIONS.				
CP	DENOTES CP DIMENSIONS, -MINIMUM CP VALUE MUST BE WITHIN THE DIMENSIONAL LIMITATIONS SHOWN ON DRAWING AND INITIALLY LOCATED TO ALLOW FOR MAXIMUM TOOL LIFE.				<b>A</b>

MATL SPEC		FINISH		
DRW JMoler	DATE 6/13/2023	SCALE NTS	FINISH GOOD WT GRAMS/PIECE	

UNLESS OTHERWISE SPECIFIED, DIMENSIONS ARE IN MILLIMETERS, DIMENSIONS IN BRACKETS [ ] ARE INCHES DIMENSIONING AND DO NOT INCLUDE PLATING. TOLERANCING TO BE INTERPRETED IN ACCORDANCE WITH ANSI Y14.5M-1994

3RD ANGLE PROJECTION	
----------------------	--

**TITLE** L15S 40-60A100 OUTLINE

 <p><b>Littelfuse</b> CHICAGO, ILLINOIS 60631</p>	REVISION	DRWG NO.	SHEET 1 OF 1
	A	OL-L15S060-100	