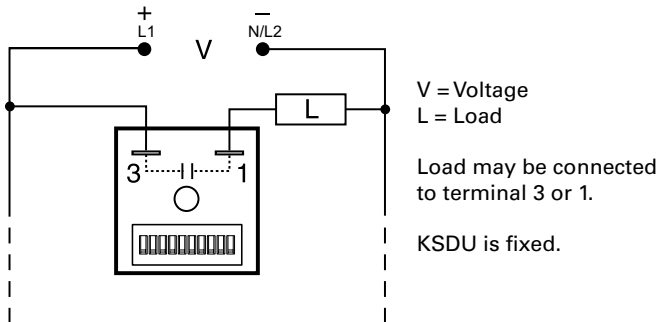


# KSDU SERIES



## Wiring Diagram



## Description

The KSDU Series are encapsulated solid-state, delay-on-make timers that combine digital timing circuitry with universal voltage operation. The KSDU Series is factory fixed from 0.1s to 10,230s and does not include the DIP switch. These series are excellent choices for process control systems and OEM equipment.

### Operation (Delay-on-Make)

Upon application of input voltage, the time delay begins. The output is de-energized before and during the time delay. At the end of the time delay, the output energizes and remains energized until input voltage is removed.

**Reset:** Removing input voltage resets the time delay and output.

## Features & Benefits

FEATURES	BENEFITS
<b>Universal Voltage</b>	24 to 240VAC/DC in 2 ranges
<b>Digital Integrated Circuitry</b>	Repeat accuracy + / - 5%
<b>1A Steady, 10A inrush solid-state output</b>	Provides 100 million operations in typical conditions.
<b>Totally solid state and encapsulated</b>	No moving parts to arc and wear out over time and encapsulated to protect against shock, vibration, and humidity
<b>2 terminal design</b>	Provides series connection for easy installation

## Accessories



### P1023-6 Mounting bracket

The 90° orientation of mounting slots makes installation/removal of modules quick and easy.



### P1015-64 (AWG 14/16) Female Quick Connect

These 0.25 in. (6.35 mm) female terminals are constructed with an insulator barrel to provide strain relief.



### P1015-18 Quick Connect to Screw Adapter

Screw adapter terminal designed for use with all modules with 0.25 in. (6.35 mm) male quick connect terminals.



### C103PM (AL) DIN Rail

35 mm aluminum DIN rail available in a 36 in. (91.4 cm) length.



### P1023-20 DIN Rail Adapter

Allows module to be mounted on a 35 mm DIN type rail with two #10 screws.

## Ordering Information

MODEL	INPUT VOLTAGE	ADJUSTMENT	TIME DELAY
KSDU8120	24 to 120VAC/DC	Fixed	20s
KSDU811200	24 to 120VAC/DC	Fixed	1200s

If you don't find the part you need, call us for a custom product 800-843-8848

## KSDU SERIES

### Specifications

#### Time Delay

<b>Type</b>	Digital integrated circuitry
<b>Range*</b>	
<b>Fixed</b>	Fixed from 0.1s - 10230s
<b>Repeat Accuracy</b>	±0.5% or 20ms, whichever is greater
<b>Tolerance</b>	
<b>(Factory Calibration)</b>	±10%
<b>Recycle Time</b>	≤150ms
<b>Time Delay vs Temp. &amp; Voltage</b>	±5%
<b>Input</b>	
<b>Voltage</b>	24 to 120VAC/DC; 100 to 240VAC/DC
<b>AC Line Frequency</b>	50/60 Hz
<b>Tolerance</b>	±20%
<b>Output</b>	
<b>Type</b>	Solid state
<b>Form</b>	NO, open during timing
<b>Maximum Load Current</b>	1A steady state, 10A inrush at 60°C
<b>Minimum Holding Current</b>	40mA
<b>Voltage Drop</b>	≈ 2.5V @ 1A
<b>Protection</b>	
<b>Circuitry</b>	Encapsulated
<b>Dielectric Breakdown</b>	≥ 2000V RMS terminals to mounting surface
<b>Insulation Resistance</b>	≥100 MΩ
<b>Mechanical</b>	
<b>Mounting</b>	Surface mount with one #10 (M5 x 0.8) screw
<b>Dimensions</b>	<b>H</b> 50.8 mm (2.0"); <b>W</b> 50.8 mm (2.0"); <b>D</b> 30.7 mm (1.21")
<b>Termination</b>	0.25 in. (6.35 mm) male quick connect terminals
<b>Environmental</b>	
<b>Operating/Storage Temperature</b>	-40° to 60°C / -40° to 85°C
<b>Humidity</b>	95% relative, non-condensing
<b>Weight</b>	≈ 2.4 oz (68 g)

\* For CE approved applications, power must be removed from the unit when a switch position is changed.

### Function Diagram

