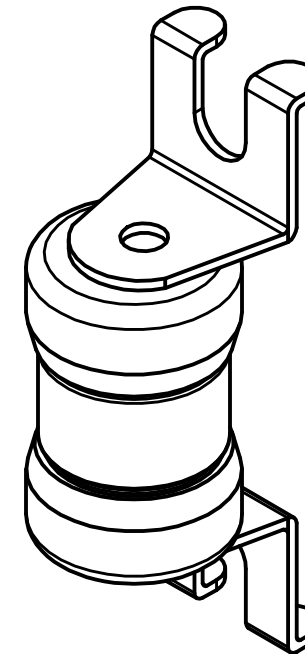
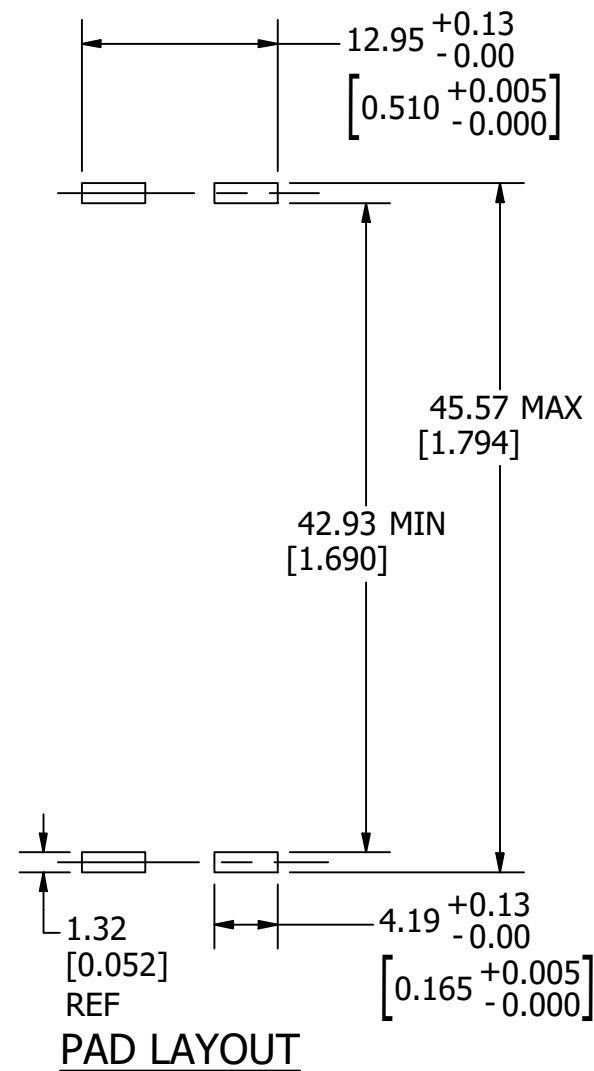
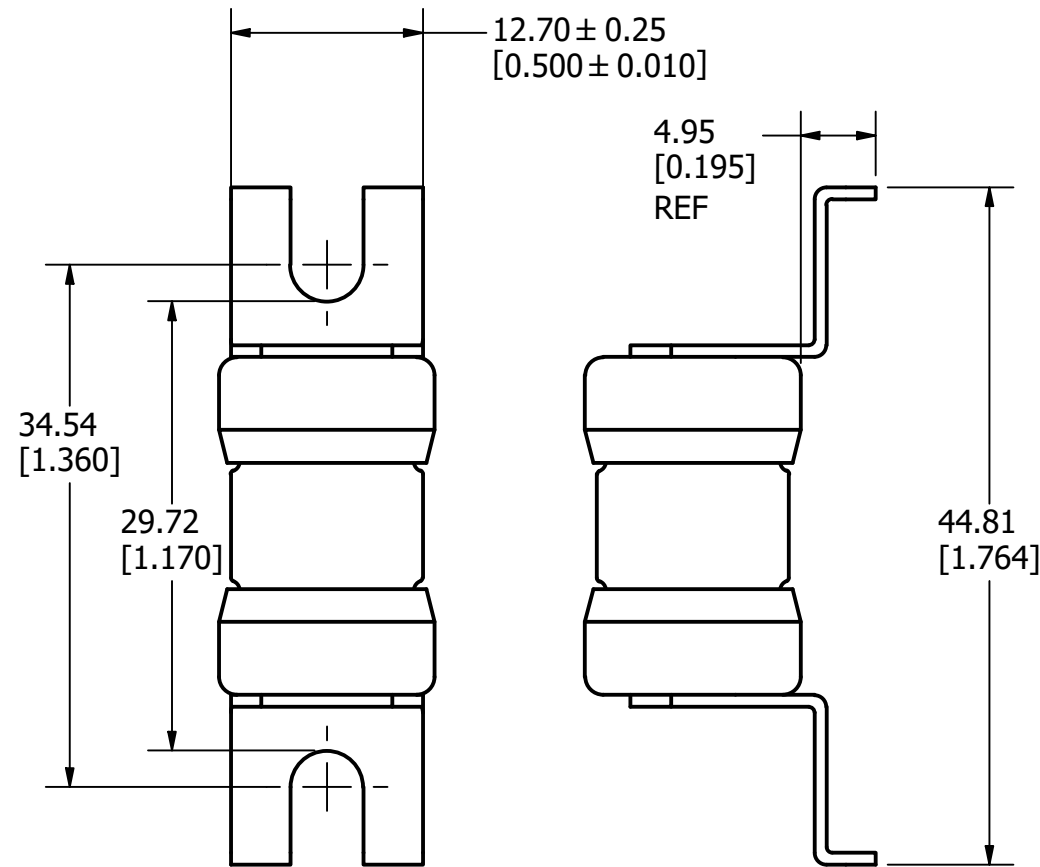


REVISION		
REV	DATE	DESCRIPTION
A	5/8/19	520782GCP - RELEASE MRY
B	5/14/20	522325ECP/D - ADD FRONT VIEW MRY



**LEAD-FREE SOLDERING PROFILE:**

PRE-HEAT: ABOVE 130°C FOR 75 SECONDS MAX.  
 REFLOW: 278°C FOR 8 SECONDS MAX.  
 TIME: 250 SECONDS MAX.  
 MAX. TEMP: 280°C

1	NO	COMPONENT NO	DESCRIPTION	QTY/M	U/M
---	----	--------------	-------------	-------	-----

**BILL OF MATERIAL**

<S>	CRITICAL CHARACTERISTIC FOR PART SAFETY/COMPLIANCE
●	DENOTES CRITICAL CHARACTERISTICS.
CPK	DENOTES CPK DIMENSIONS, -MINIMUM CPK VALUE
⊆	DENOTES A CHARACTERISTIC THAT PROVIDES AN INDICATION OF PROCESS PERFORMANCE. PROCEDURE FOR MEASUREMENT AND TRACKING TO BE DEFINED IN LITTELFUSE INSPECTION INSTRUCTIONS.
CP	DENOTES CP DIMENSIONS, -MINIMUM CP VALUE MUST BE WITHIN THE DIMENSIONAL LIMITATIONS SHOWN ON DRAWING AND INITIALLY LOCATED TO ALLOW FOR MAXIMUM TOOL LIFE.

**B**

MATL SPEC	FINISH		
DRW myork	DATE 5/7/2019	SCALE NTS	FINISH GOOD WT GRAMS/PIECE

UNLESS OTHERWISE SPECIFIED, DIMENSIONS ARE IN MILLIMETERS, DIMENSIONS IN BRACKETS [ ] ARE INCHES DIMENSIONING AND DO NOT INCLUDE PLATING. TOLERANCING TO BE INTERPRETED IN ACCORDANCE WITH ANSI Y14.5M-1994



<b>TITLE</b>	JLLN-L OUTLINE
--------------	----------------

<b>Littelfuse</b> CHICAGO, ILLINOIS 60631	REVISION <b>B</b>	DRWG NO. <b>OL-JLLN000L</b>	SHEET 1 OF 1
--	----------------------	--------------------------------	--------------