



## INSTALLATION INSTRUCTIONS FOR SYMCOM'S PUMPSAVER®

### MODEL 460-15-XXX-SLD SEAL LEAK DETECTOR

#### **DANGER!**



HAZARDOUS VOLTAGES MAY BE PRESENT DURING INSTALLATION.

Electrical shock can cause death or serious injury.

Installation should be done by qualified personnel following all national, state and local electrical codes.



**BE SURE POWER IS DISCONNECTED PRIOR TO INSTALLATION!  
FOLLOW NATIONAL, STATE AND LOCAL CODES!  
READ THESE INSTRUCTIONS ENTIRELY BEFORE INSTALLATION!**

#### **! WARNING !**

UNEXPECTED OUTPUT ACTUATION CAN OCCUR.

Use hard-wired safety interlocks where personnel and/or equipment hazards exist.

Failure to follow this instruction can result in death, injury or equipment damage.

The PumpSaver® 460-15-XXX-SLD is a seal leak detector to sense seal failures on submersible pumps. (XXX denotes 100 or 200)

### **CONNECTIONS**

1. Mount the PumpSaver® in a convenient location in or near the motor control panel. If the location is wet or dusty, the PumpSaver® should be mounted in a NEMA 4 or 12 enclosure. The PumpSaver® can be mounted to a back panel using two #6 or #8 x 5/8 screws or can be snapped onto a DIN rail.
2. Connect L1 and L2 on the PumpSaver's terminal strip to 120VAC for Model 460-15-100-SLD or 240VAC for Model 460-15-200-SLD.
3. Connect the output relay to the circuitry to be controlled.
4. Connect the probe.

II-460-15-SLD-B



[www.SymCom.com](http://www.SymCom.com)

...your electronic control & protection specialists

222 Disk Drive, Rapid City, SD 57701  
(800) 843-8848 [www.symcom.com](http://www.symcom.com)

## CONNECTIONS

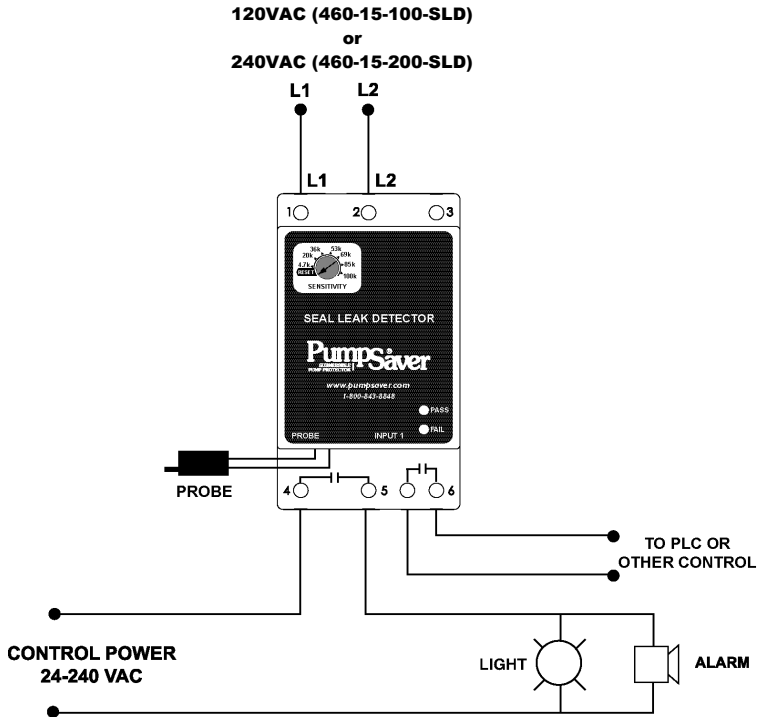


Figure 1. Typical Wiring Diagram

## OPERATION

As water leaks into the motor, the resistance measured by the probe decreases. When the resistance drops below the sensitivity control level, the unit will trip and the relay contacts will change state.

## SETTINGS

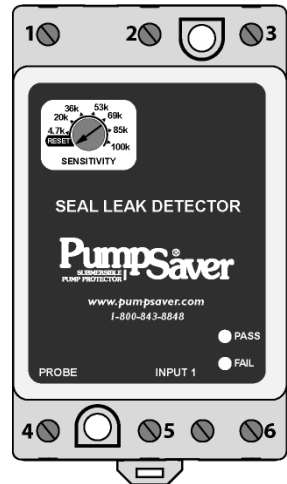
### 1. Sensitivity Adjustment:

Rotate this dial to the desired minimum resistance allowed before the unit trips.

**For this model, the reset position is not used; the unit will reset automatically when a fault is cleared. If the dial is left in the reset position, sensitivity is fixed at 4.7k.**

### 2. Input 1:

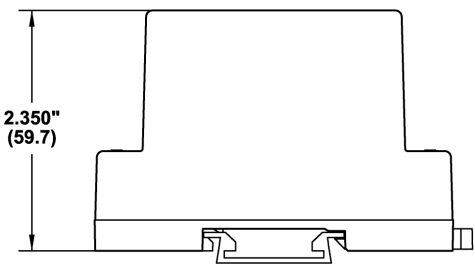
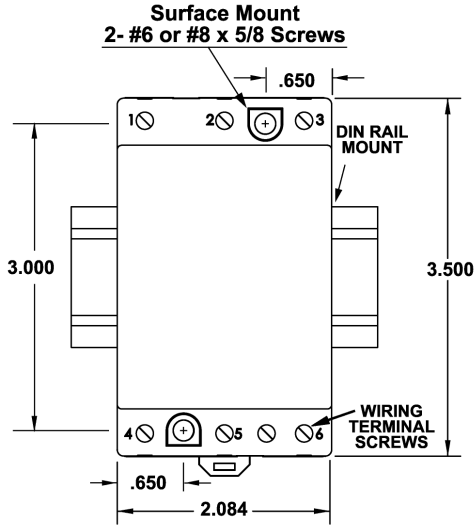
Leave jumper installed for positive logic (relay closed on a fault).  
Remove jumper for negative logic (relay open on a fault).



## PUMPSAVER 460-15-XXX-SLD SPECIFICATIONS

<b>Control Voltage</b>	110/120VAC nominal (Model 460-15-100-SLD)  220/240VAC nominal (Model 460-15-200-SLD)
<b>Frequency</b>	50 or 60Hz
<b>Sensitivity</b>	4.7k-100k
<b>Output contact Rating – DPST</b>	
Pilot Duty	360VA @ 240VAC
General Purpose	8A @ 240VAC
<b>Power Consumption</b>	2 Watts (max.)
<b>Weight</b>	1 lb. max
<b>Enclosure</b>	Polycarbonate
<b>Terminal</b>	
Torque	6 in.-lbs.
Wire AWG	12-20 AWG
<b>Safety Marks</b>	
UL	UL508 (File # E68520)
<b>Standards Passed</b>	
Electrostatic Discharge (ESD)	IEC 100-4-2, Level 3, 6kV contact, 8kV air
Radio Frequency Immunity, Radiated	159 MHz, 10 V/m
Fast Transient Burst	IEC 1000-4-4, Level 3, 3.5kV input power and controls
<b>Surge</b>	
IEC	IEC 1000-4-5, Level 3, 4kV line-to-line; Level 4, 4kV line-to-ground
ANSI/IEEE	C62.41 Surge and Ring Wave Compliance to a level of 6kV line-to-line
Hi-Potential Test	Meets UL508 (2 x rated V + 1000 V for 1 minute)
<b>Environmental</b>	
Temperature Range	Ambient Operating: -20° to 70°C (-4° to 158°F) Ambient Storage: -40° to 80°C (-40° to 176°F)
Class of Protection	IP20, NEMA 1 (finger safe)
Relative Humidity	10-95%, non-condensing per IEC 68-2-3

# DIMENSIONS



SymCom Inc. warrants its microcontroller-based products against defects in material or workmanship for a period of five (5) years from the date of manufacture. All other products manufactured by SymCom shall be warranted against defects in material and workmanship for a period of two (2) years from the date of manufacture. For complete information on warranty, liability, terms and conditions, please refer to the SymCom Terms and Conditions of Sale document.