

Hard Start Kit

HHS Series

1/12–12 Hp • 110 - 277 V ac • 50/60 Hz



Description

The HHS Series hard start kits are used to improve the starting torque of single-phase electric motors. The kit consists of a start capacitor and a switching mechanism. The start capacitor increases the current through the start winding of the motor and is eventually removed by the switching mechanism once the motor reaches an optimum speed.

Features & Benefits

FEATURES	BENEFITS
Use on 1/12 to 1/3 Hp (HHS 410 and 810)	Ideal for HVAC high efficiency compressor or refrigeration unit
Use on 1/2 to 10 Hp (HHS 5 and 6)	Ideal for single phase HVAC compressor or refrigeration unit
Use on 1 to 4 Hp (HHS 7 and 8)	Ideal for HVAC compressor or refrigeration unit
Easy 5-wire (HSS 410 and 810) or 2-wire (HHS 5, 6, 7 and 8) installations	Meets a broad range of applications

Applications

- HVAC/R

Specifications

Rated AC Voltage	110–277 V ac
Operating Temperature	-40 °C to 65 °C (65 °C Maximum)
Frequency	50/60 Hz
Capacitance mFd	43–292 uF
Mounting Method	Clip mount or screw mount

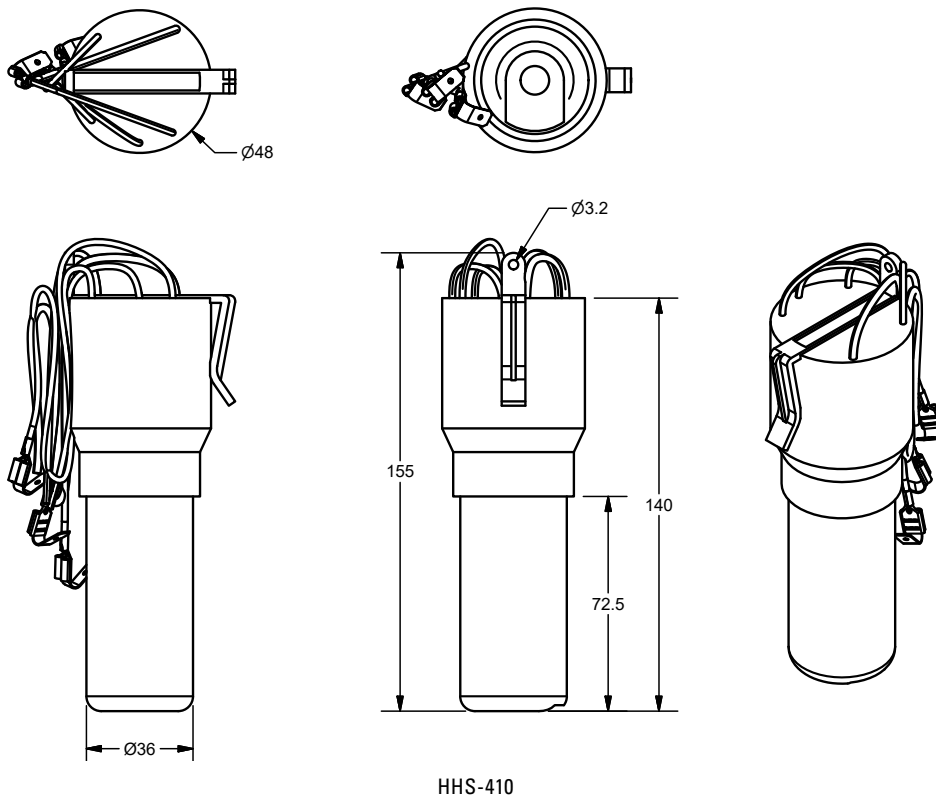
Hard Start Kit

HHS Series

Ordering Information

LITTELFUSE CATALOG NUMBER	SPECIAL FUNCTION	TERMINATION	INPUT VOLTAGE	CAPACITANCE MFD	FREQUENCY	WEIGHT
HHS-410	Solid state relays and capacitor. Works on RSIR; CSIR; PSC; and CSR compressors.	5 wire leads	110–125 V	243-292 Microfarad	50/60 Hz	0.5 Lb
HHS-5	Positive temperature coefficient (PTC) relay and capacitor; easy 2-wire installation	2 wire leads	90–277 V	43-52 Microfarad	50/60 Hz	0.5 Lb
HHS-6	Positive temperature coefficient (PTC) relay and capacitor; easy 2-wire installation	2 wire leads	90–277 V	130-156 Microfarad	50/60 Hz	0.5 Lb
HHS-7E	Electronic potential relay (EPR) and capacitor; easy 2 wire installation	2 wire leads	170–277 V	130-156 Microfarad	50/60 Hz	0.5 Lb
HHS-810	Solid state relays and capacitor. Works on RSIR; CSIR; PSC; and CSR compressors.	5 wire leads	110–125 V	145-173 Microfarad	50/60 Hz	0.5 Lb
HHS-8E	Electronic potential relay (EPR) and capacitor; easy 2 wire installation	2 wire leads	170–277 V	189-277 Microfarad	50/60 Hz	0.5 Lb

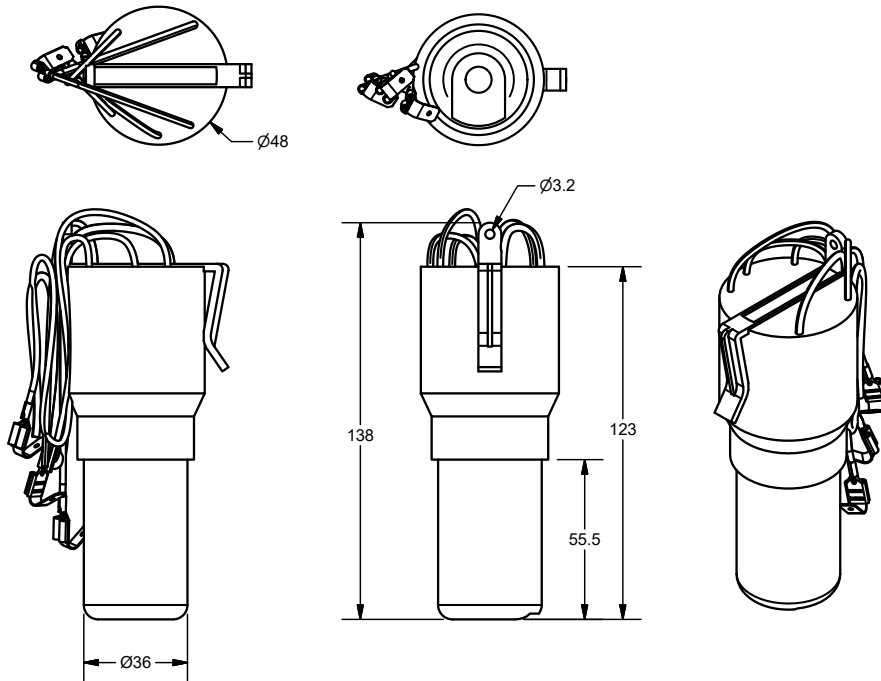
Dimensions (mm)



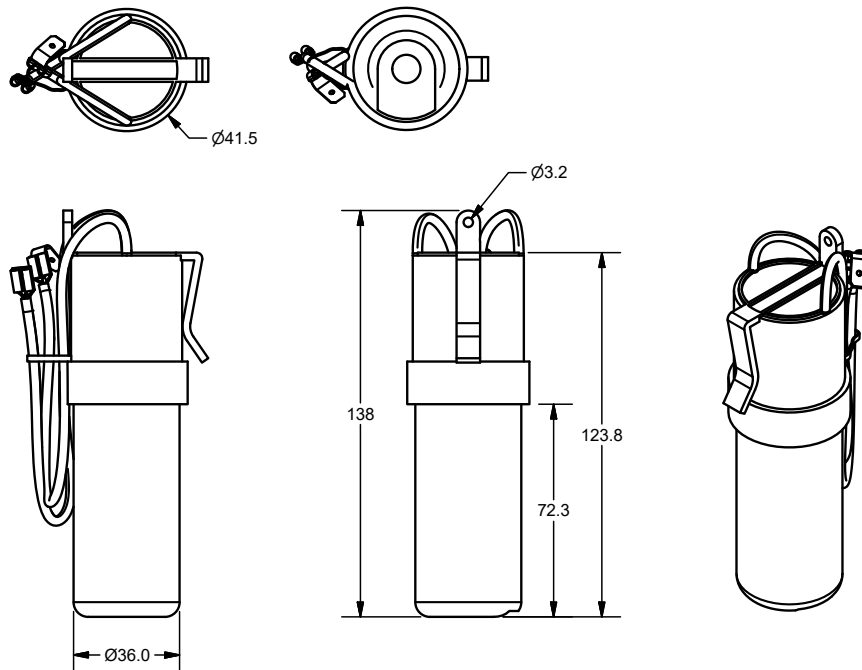
Hard Start Kit

HHS Series

Dimensions (mm) (cont.)



HHS-810

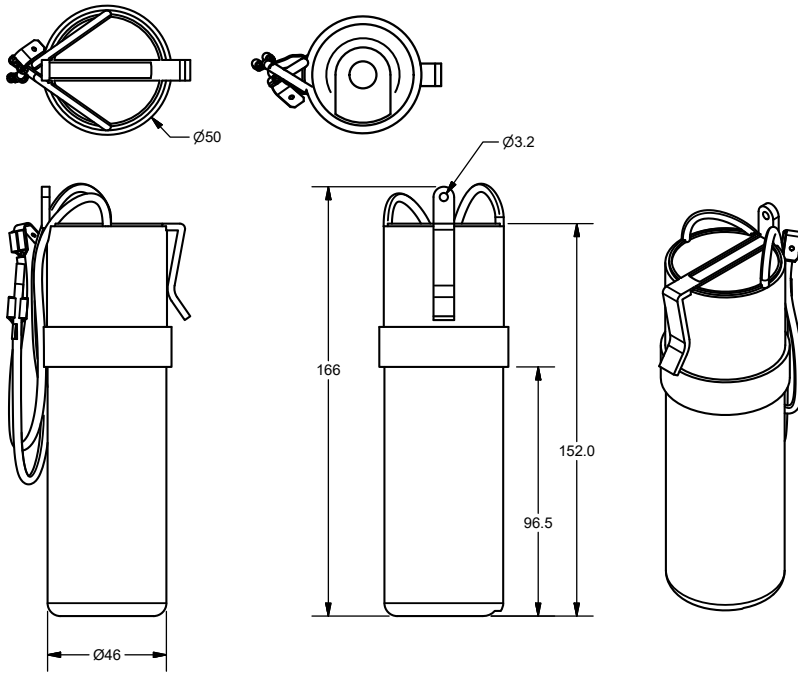


HHS-5

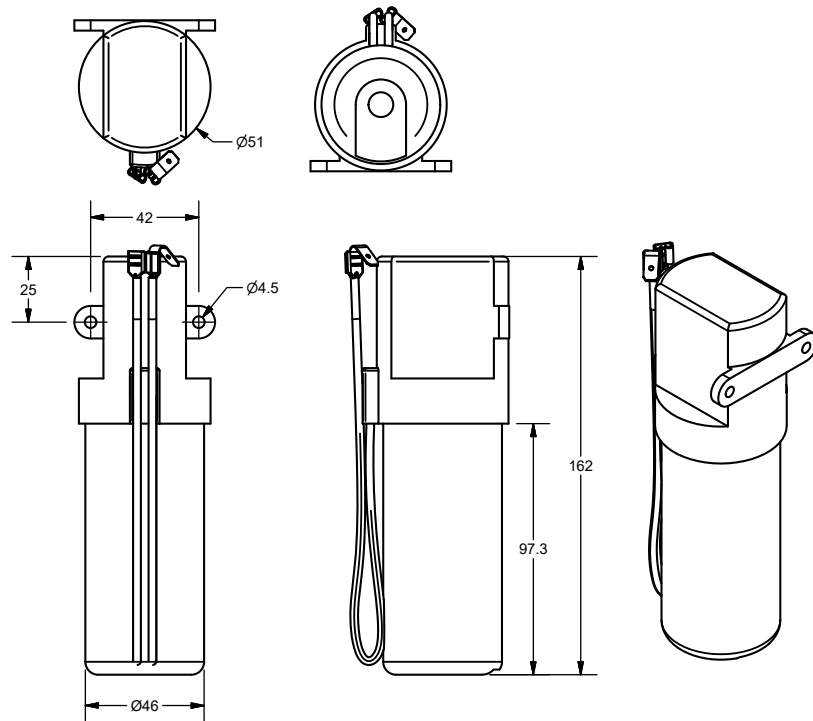
Hard Start Kit

HHS Series

Dimensions (mm) (cont.)



HHS-6

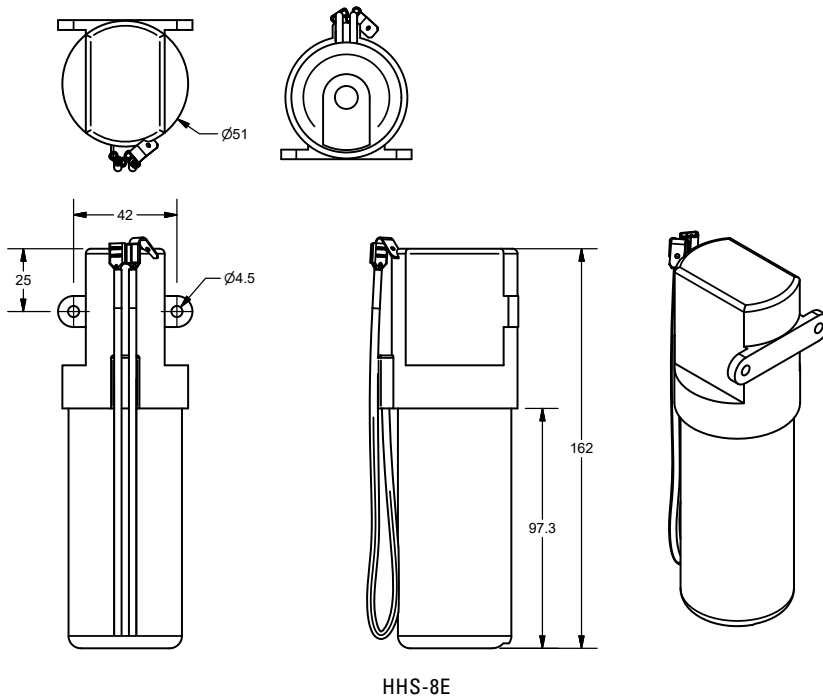


HHS-7E

Hard Start Kit

HHS Series

Dimensions (mm) (cont.)



Disclaimer Notice – Information furnished is believed to be accurate and reliable. However, users should independently evaluate the suitability of and test each product selected for their own applications. Littelfuse products are not designed for, and may not be used in, all applications. Read complete Disclaimer Notice at www.littelfuse.com/product-disclaimer.