

General Purpose Switching Relay

HCR-6 Series

3/4 Hp 125/250 V ac • 12 FLA 60 LRA 15 A Res. @ 125 V ac • 6 FLA 35 LRA 15 A Res. @ 250/277



Description

The HCR-6 Series relay can be used in many HVAC applications along with general purpose switching applications involving appliances and fan controls. The relay is a single pole or double pole unit that can be provided in various contact forms with power or pilot duty ratings.

Features & Benefits

FEATURES	BENEFITS
SPNO, SPDT, DPNO & DPDT switching configurations	Meets multiple application needs
Single make/single make contacts	Ideal for single contact arrangements
.250" (6.35 mm) quick connect terminals	For easy installation
Multi-positional mounting options	For increased flexibility
Dual coil terminals	Simplifies coil resetting

Applications

- HVAC/R
- Standby Power Supplies
- Telephone Exchanges

Specifications

Unit Weight	6.08 oz
Power Pole Terminations	0.250" quick connects
Coil Terminal Connections	0.250" quick connects
Operating Temperature	-55 °C to 125 °C
Arrangement	SPST-NO; SPST-NC; SPDT; DPST-NO; DPST-NC; DPDT
Specification Special Function	Class B insulation system
Mounting Method	Chassis Mount
Contact Material	Silver Cadmium Oxide Alloy
Power Rating	3/4 Hp 125/250 V ac; 12 FLA 60 LRA 15 A Res. @ 125 V ac; 6 FLA 35 LRA 15A Res. @ 250/277 V ac; 3 FLA 18 LRA 12.5A Res. @ 480 V ac; 3 FLA 14 LRA 600 V ac
Pilot Duty Rating	1/10 Hp 125/250 V ac; 125 Va @ 125/250/480 VAC; 3 A 277 V ac
Mechanical Life Expectancy	1 million cycles
Electrical Life Expectancy Resistive	250,000 cycles
Electrical Life Expectancy Inductive	100,000 cycles
Nominal Coil Power	AC 9.5 VA

General Purpose Switching Relay

HCR-6 Series

Certification & Compliance

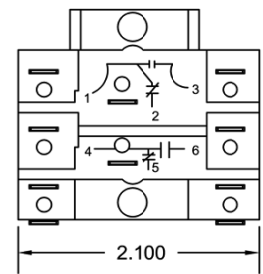
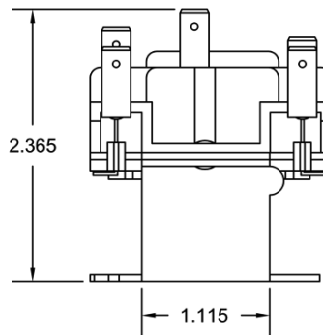
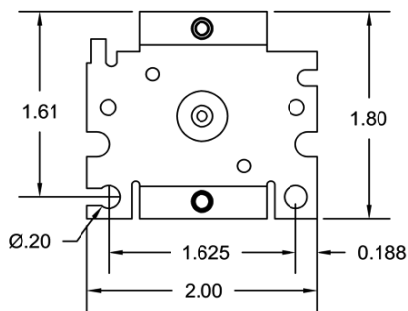
UL 508

File No. E227250

Ordering Information

LITTELFUSE CATALOG NUMBER	SPECIFICATION CONTACTOR FORM PER CIRCUIT	FULL LOAD CURRENT INDUCTIVE	FULL LOAD CURRENT INDUCTIVE	FULL LOAD CURRENT RESISTIVE	LOCKED ROTOR CURRENT	SPECIFICATION LOCKED ROTOR CURRENT	SPECIFICATION PULL IN VOLTAGE	NOMINAL COIL VOLTAGE	WEIGHT
90340	DPDT	12 A @ 125 V ac	6 A @ 250/277 V ac	15 A	60 A @ 125 V ac	35 A @ 250/277 Vac	20.4 V	24 V	0.4 Lb
90341	DPDT	12 A @ 125 V ac	6 A @ 250/277 V ac	15 A	60 A @ 125 V ac	35 A @ 250/277 Vac	102 V	120 V	0.4 Lb
90342	DPDT	12 A @ 125 V ac	6 A @ 250/277 V ac	15 A	60 A @ 125 V ac	35 A @ 250/277 Vac	176 V	240 V	0.4 Lb

Dimensions



Disclaimer Notice – Information furnished is believed to be accurate and reliable. However, users should independently evaluate the suitability of and test each product selected for their own applications. Littelfuse products are not designed for, and may not be used in, all applications. Read complete Disclaimer Notice at www.littelfuse.com/product-disclaimer.