

GDB SERIES TOUCH-SAFE POWR-BLOKS™

Global Distribution Blocks



Features/Benefits

- Global part meeting UL standards
- Space saving design
- Integrated touch-safe cover to increase safety
- IP20 protection rating
- Mounts to DIN rail or panels
- Reliable brass connections for excellent continuity in a smaller design

Specifications

Voltage Rating	UL: 600 VAC/VDC
Ampere Rating	80 – 335 A
Material	Thermoplastic
Connector	GDBxxxx: Brass GDBAxxxx: Aluminum (Tin Plated)
Flammability Rating	UL94 V-0
Approvals	UL Recognized (File: E309688, E171395) UL Listed (File: E482231) CSA Certified (File: 700111)
Operating Temperature	-40°C to +90°C
Storage Temperature	-40°C to +100°C
Relative Humidity	50% @ 40°C, 90% @ 20°C
Environmental	RoHS compliant

Description

POWR-BLOKS™ Global Distribution Blocks add safety and mounting versatility to our distribution block solutions. The Global Distribution Blocks are approved to UL standards. The Global Distribution Blocks are IP20 finger safe to reduce the risk of contact and eliminate the need for block or panel covers. Installation is quick and easy, with DIN-rail and panel mount options.

Web Resources

For additional information visit Littelfuse.com/gdb

Electrical Specifications

CATALOG/ ORDERING NUMBER	POLES	AMPS	WIRE RANGE			OVERCURRENT PROTECTION FUZE REQUIRED							SCCR IN RMS SYM AMPS	AGENCY APPROVALS				
			LINE CONNECTION		LOAD CONNECTION	CLASS J (JTD_ID)	Class T (JLLN, JLLS)	Class RK1 (LLNRK, LLSRK, KLNK, KLSR)	Class RK5 (FLNR, FLSR, IDSR)	CLASS G (SLC)	CLASS CC (CCMR, KLDK, KLKR)	UR		cURus	UL	CSA		
			LINE	OPENINGS PER POLE	OPENINGS PER POLE												LOAD	
GDB60801Z	1	80	1	#8 - #4	6	#8 - #4 #10 - #14	80	-	-	-	-	-	-	100,000	•			
GDB61151Z	1	115	1	#8 - #2 #10 - #6	6	#14 - #4	125	-	-	-	-	-	-	100,000	•			
GDB61153Z	3	115	1	#8 - #2	6	#14 - #4	125	-	-	-	-	-	-	100,000	•			
GDBAD241Z	1	115	1	#10 - #2	4	#14 - #10	125	200	100	30	60	30	65,000			•	•	
GDB61601Z	1	160	1	#8 - 2/0	6	#14 - #4	175	-	-	-	-	-	100,000	•				
GDB61753Z	3	175	1	#8 - 2/0	6	#14 - #4	175	-	-	-	-	-	100,000		•			
GDBAD451Z	1	200	1	#8 - 3/0 #8 - 3/0	4	#8 - #2 #14 - #8	225 100	225 110	200 100	60 30	60 60	30	100,000			•	•	
GDB63101Z	1	310	1	3/0 - 350 kcmil	11	#14 - #2 #14 - #6 #14 - #8	350	-	-	-	-	-	100,000	•				
GDBAD741Z	1	335	1	#6 - 400 kcmil #14 - 3/0	8	#14 - #2	-	-	-	-	-	-	10,000	•			•	

GDB SERIES TOUCH-SAFE POWR-BLOKS™

Global Distribution Blocks

Mechanical Specification

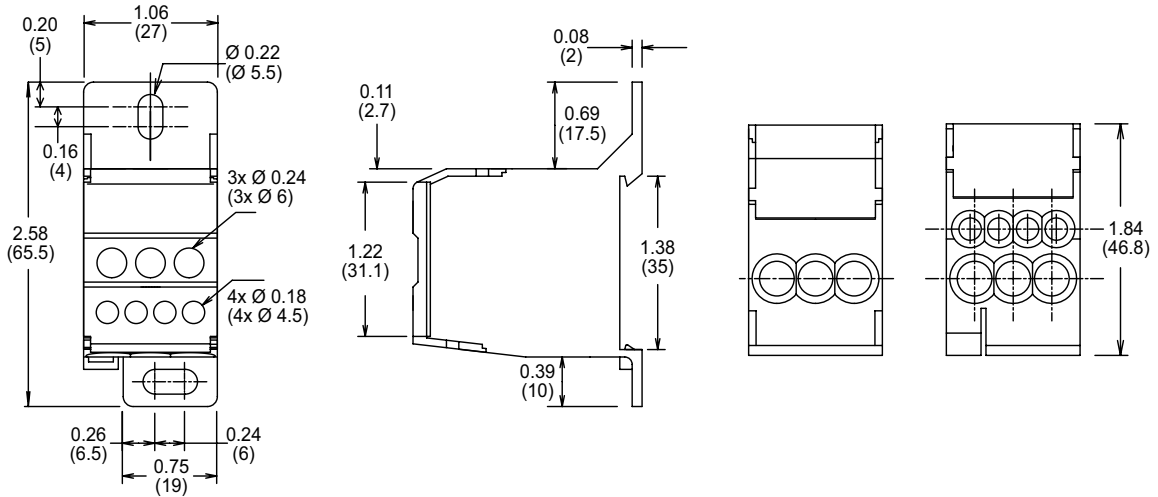
CATALOG/ ORDERING NUMBER	POLES	AMP RATING PER POLE (UL)	LINE CONNECTION					LOAD CONNECTION					
			OPENINGS PER POLE	OPENING DIAMETER	SCREW TYPE	WIRE RANGE	TORQUE LB-IN (NM)	OPENINGS PER POLE	OPENING DIAMETER	SCREW TYPE	WIRE RANGE	TORQUE LB-IN (NM)	
GDB60801Z	1	80	1	0.28 in (7.0 mm)	Slotted	#8 - #4 (Cu)	13.5 (1.5)	6	2x 0.28 in (2x 7.0 mm)	Slotted	#8 - #4 (Cu)	13.5 (1.5)	
									4x 0.18 in (4x 4.5 mm)			#10 - #14 (Cu)	7.2 (0.8)
GDB61151Z	1	115	2	0.39 in (10.0 mm)	Hex 4 mm	#8 - #2 (Cu) #10 - #6 (Cu)	31 (3.5)	6	0.28 in (7.0 mm)	Slotted	#14 - #4 (Cu)	17.5 (2)	
GDB61153Z	3	115	1	0.39 in (10.0 mm)	Hex 4mm	#8 - #2 (Cu)	31 (3.5)	6	0.25 in (6.5 mm)	Hex 3mm	#14 - #4 (Cu)	17.5 (2)	
GDBAD241Z	1	115	1	0.312 in (7.9 mm)	Hex 4 mm	#14 - #2 (Cu/Al)	35 (4.0) #14 - #10 40 (4.15) #8 45 (5.1) #6 - #4 50 (5.6) #3 - #2	4	0.159 in (4.0 mm)	Hex 2 mm	#14 - #10 (Cu/Al)	7 (0.8)	
GDB61601Z	1	160	1	0.49 in (12.5 mm)	Hex 5mm	#8 - 2/0 (Cu)	35.5 (4)	6	0.28 in (7.0 mm)	Slotted	#14 - #4 (Cu)	17.5 (2.0)	
GDB61753Z	3	175	1	0.47 in (12.0 mm)	Hex 5mm	#8 - 2/0 (Cu)	35.5 (4)	6	0.25 in (6.5 mm)	Hex 3mm	#14 - #4 (Cu)	17.5 (2.0)	
GDBAD451Z	1	200	1	0.531 in (13.5 mm)	Hex 6mm	#14 - 3/0 (Cu/Al)	50 (5.6) #14 - #10 180 (20.3) #8 - 3/0	4	0.313 in (7.9mm)	Hex 5mm	#14 - #2 (Cu/Al)	40 (4.5) #14 - #10 50 (5.6) #8 - #2	
GDB63101Z	1	310	1	0.75 in (19.0 mm)	Hex 8mm	3/0 - 350 kcmil (Cu)	230 (26.0)	11	2x 0.35 in (2x 9.0mm)	Slotted	#14 - #2 (Cu)	31 (3.5)	
									5x 0.25 in (5x 6.5mm)			#14 - #6 (Cu)	18 (2.0)
									4x 0.21 in (4x 5.3mm)			#14 - #8 (Cu)	
GDBAD741Z	1	335	1	0.516 in (13.1 mm)	Hex 8mm & 6mm	#14 - 400 kcmil (Cu/Al)	40 (4.5) #14 - #8 80 (9.0) #6 - #2	8	0.375 in (9.5 mm)	Hex 5mm	#14 - #2 (Cu/Al)	40 (4.5) #14 - #8	
							120 (13.6) #1 - #3/0 275 (31.10) #6 - #1/0 375 (42.4) 2/0 - 400 kcmil					80 (9.0) #6 - #2	

GDB SERIES TOUCH-SAFE POWR-BLOKS™

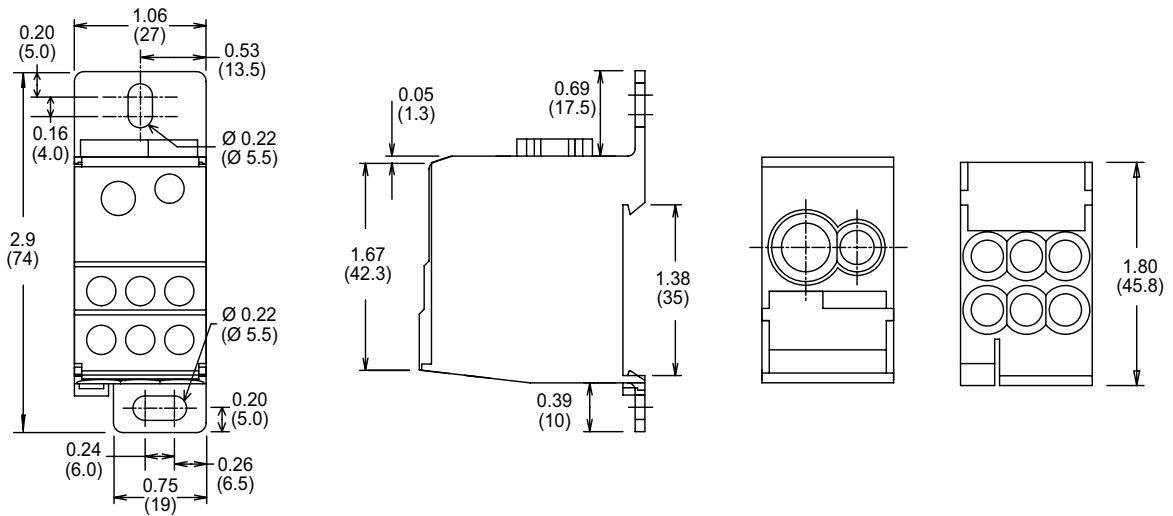
Global Distribution Blocks

Dimensions Inches (mm)

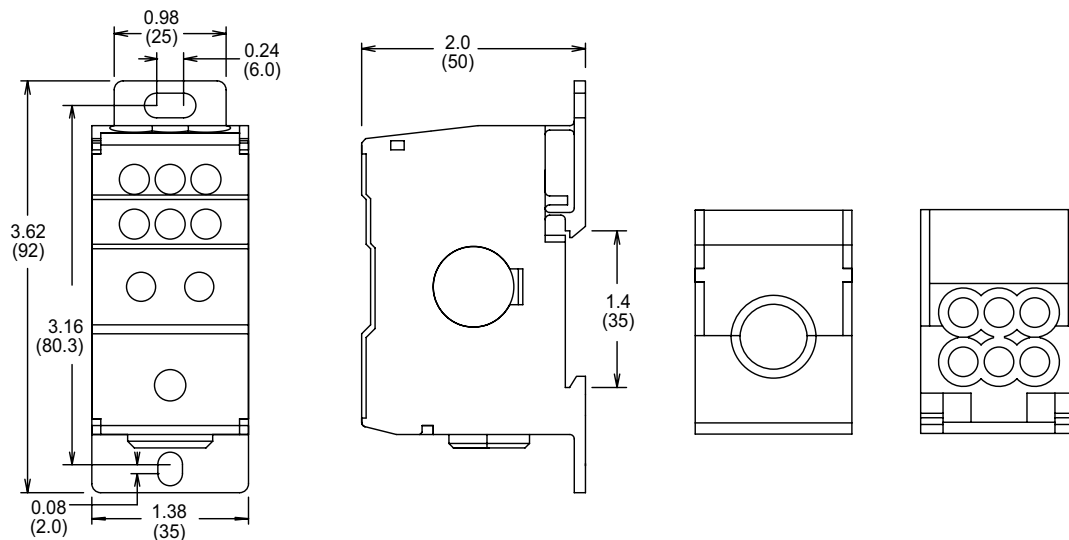
GDB60801Z



GDB61151Z



GDB61601Z

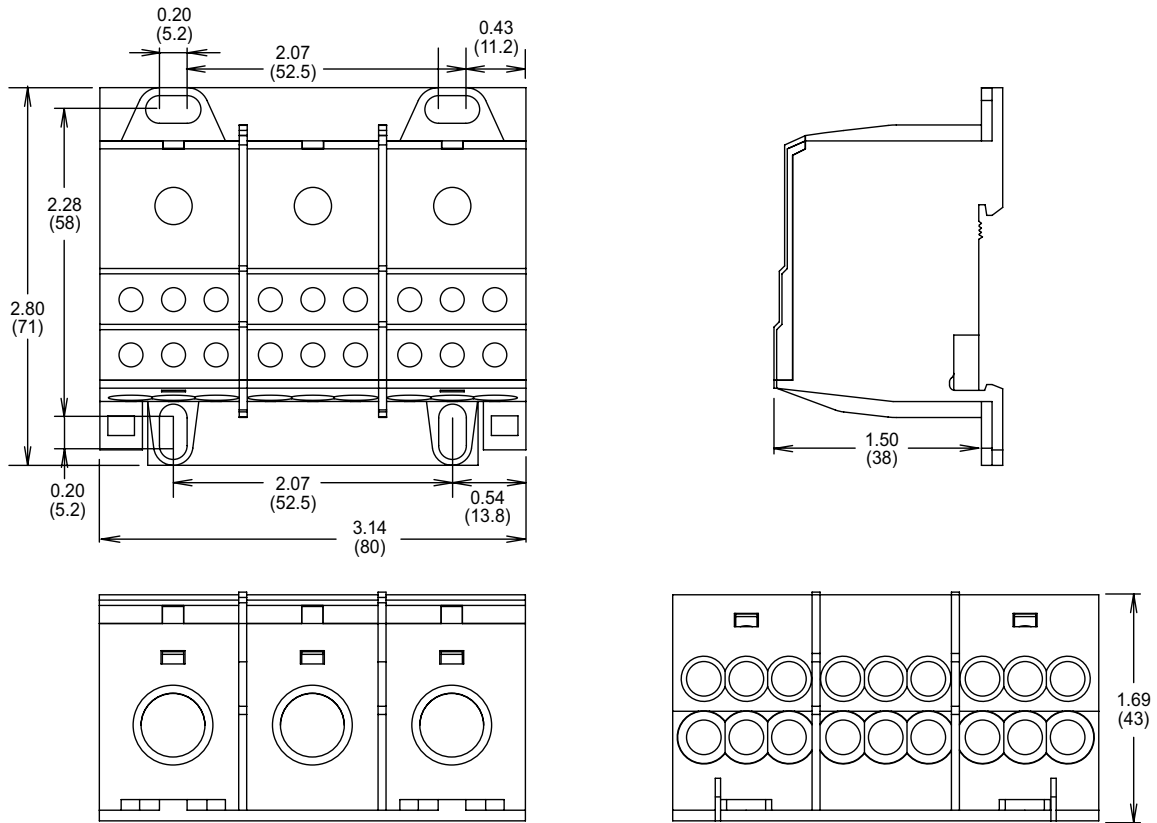


GDB SERIES TOUCH-SAFE POWR-BLOKS™

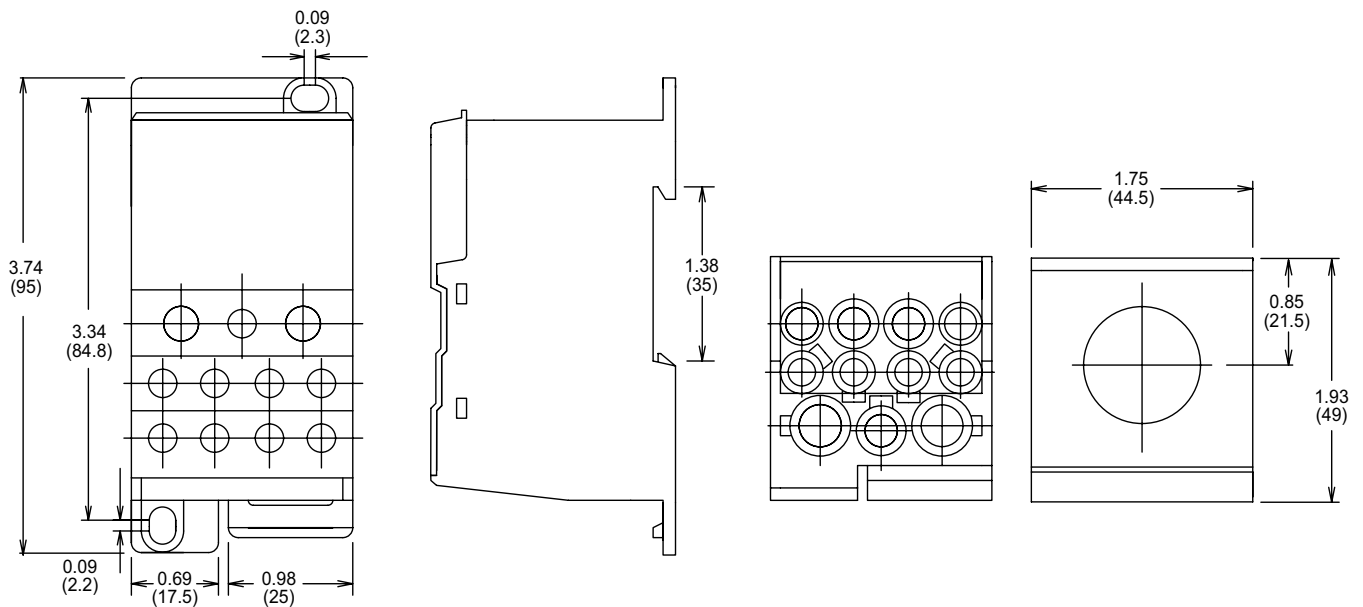
Global Distribution Blocks

Dimensions Inches (mm)

GDB61153Z
GDB61753Z



GDB63101Z

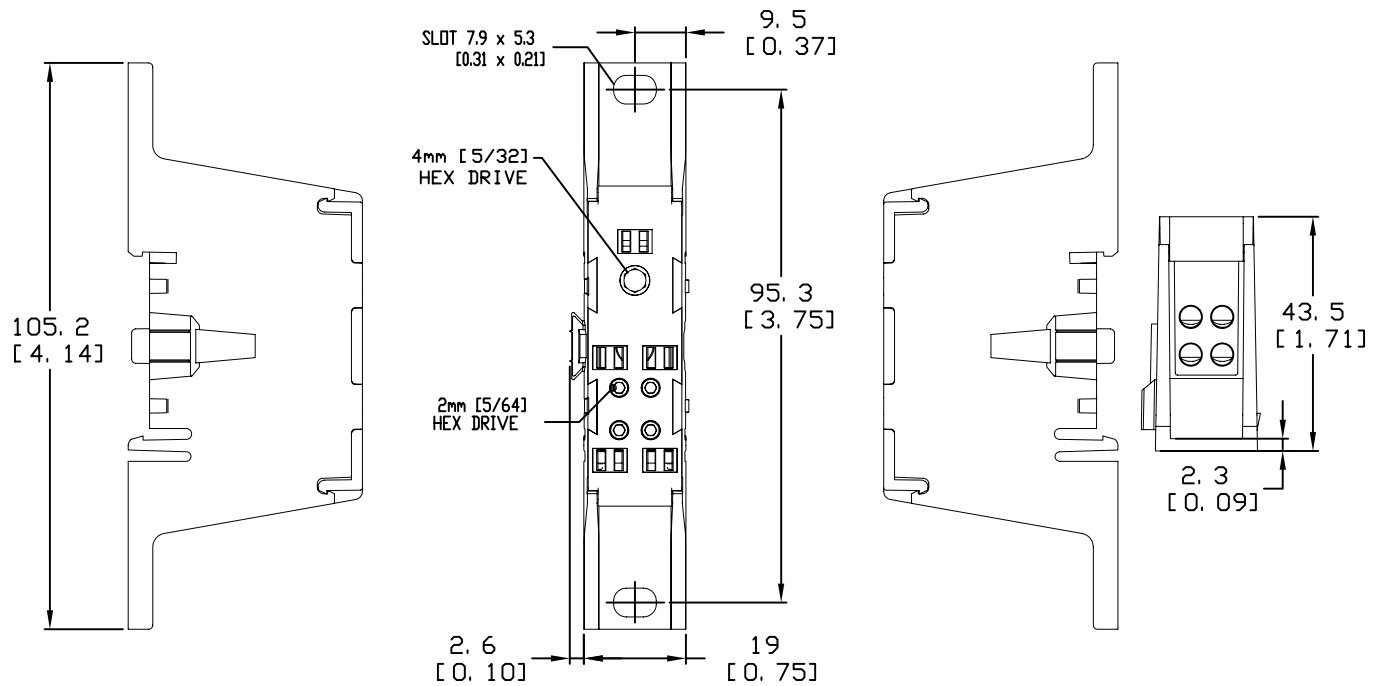


GDB SERIES TOUCH-SAFE POWR-BLOKS™

Global Distribution Blocks

Dimensions Millimeters (in)

GDBAD241Z

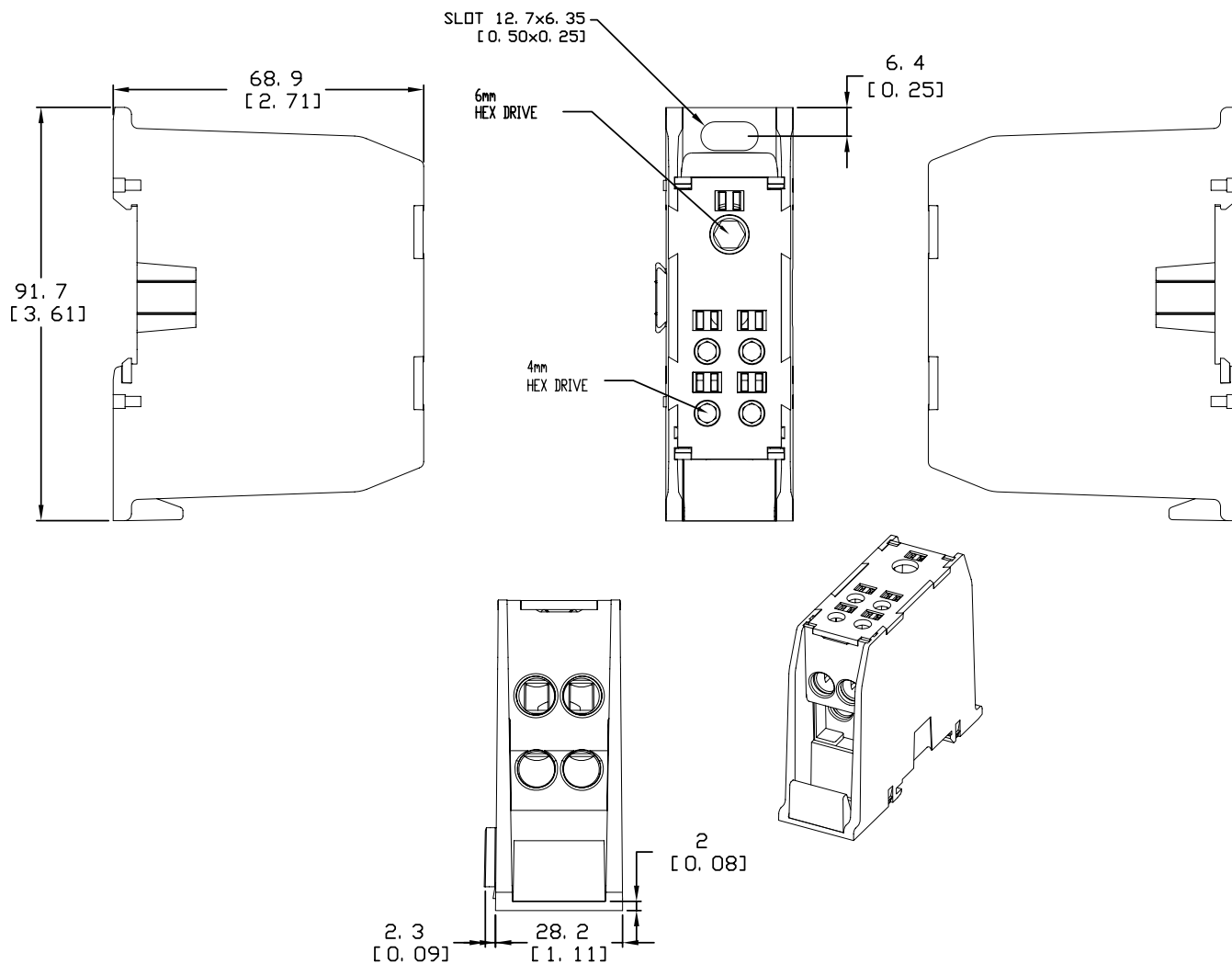


GDB SERIES TOUCH-SAFE POWR-BLOKS™

Global Distribution Blocks

Dimensions Millimeters (in)

GDBAD451Z

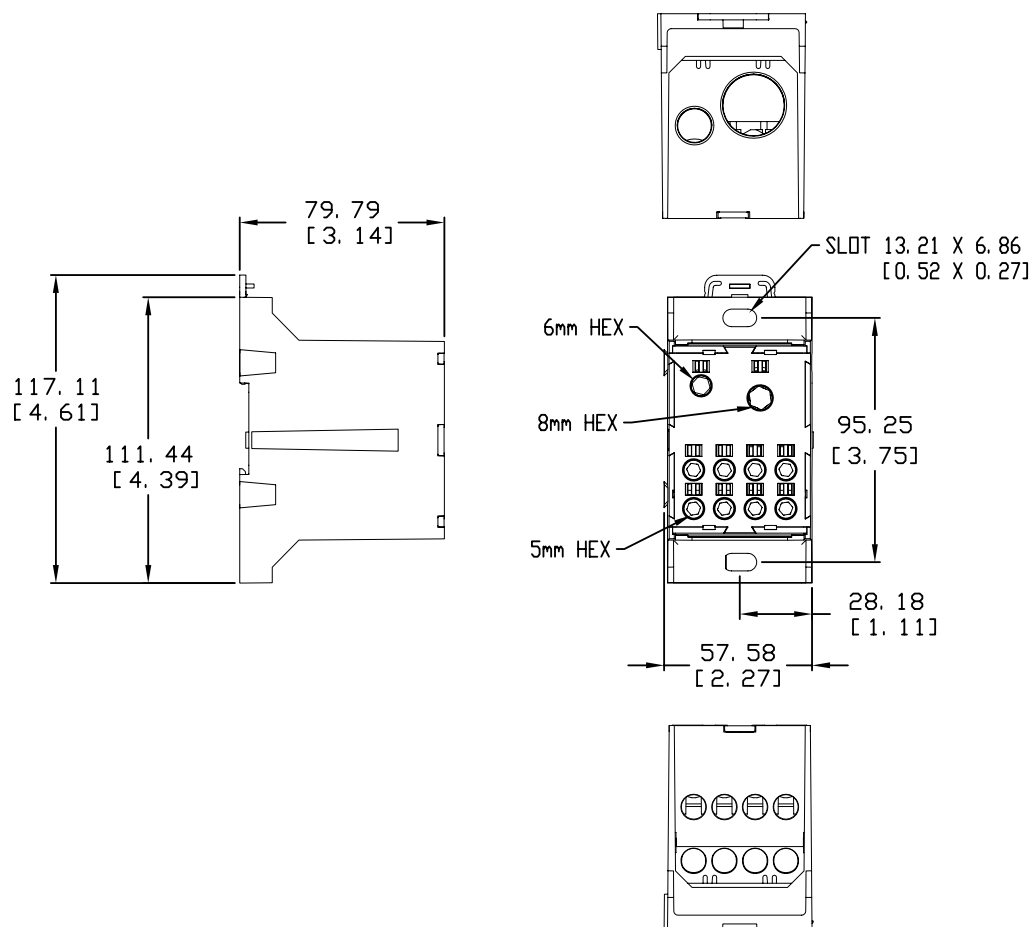


GDB SERIES TOUCH-SAFE POWR-BLOKS™

Global Distribution Blocks

Dimensions Millimeters (in)

GDBAD741Z



Disclaimer Notice – Information furnished is believed to be accurate and reliable. However, users should independently evaluate the suitability of and test each product selected for their own applications. Littelfuse products are not designed for, and may not be used in, all applications. Read complete Disclaimer Notice at www.littelfuse.com/product-disclaimer.