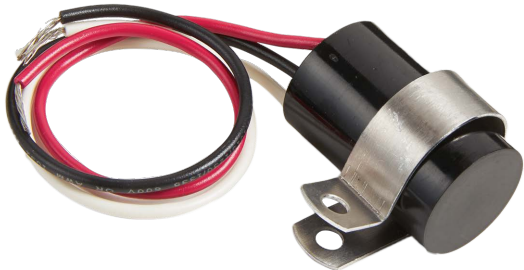
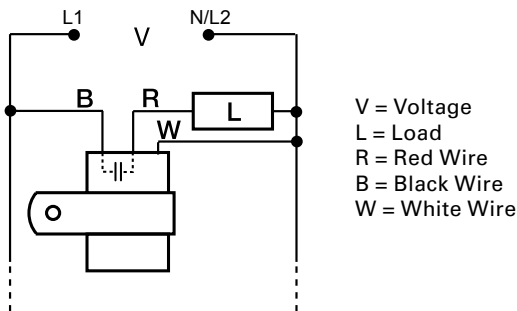


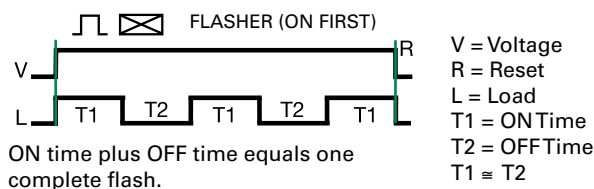
FS491



Wiring Diagram



Function Diagram



Description

The FS491 is a low leakage AC flasher designed to control LED, or resistive loads. This product offers a solid-state output and may be ordered with an input voltage of 24V to 240VAC, in two ranges. It offers a factory fixed flash rate of 75 FPM or may be ordered with a fixed, custom flash rate ranging from 45 to 150 FPM. The FS491 is the perfect solution for LED lamp flashing.

Operation

Upon application of input voltage, the output energizes and the ON time begins. At the end of the ON time, the output de-energizes and the OFF time begins. At the end of the OFF time, the output energizes and the cycle repeats as long as input voltage is applied.

Reset: Removing input voltage resets the output and the flash sequence.

Features & Benefits

FEATURES	BENEFITS
Totally solid state	No moving parts to arc and wear out, up to 100 million operations under typical conditions
Fully encapsulated	Protects circuitry from shock, vibration and humidity
Extremely low leakage current	Ideal for use in LED lighting applications

Specifications

Technical Data

Operation	ON/OFF solid-state flasher (continuous duty)
Flash Rate	Fixed at 75 FPM ±20%
Custom Flash Rates	45 - 150 FPM ±20%
ON/OFF Ratio	≈ 50%
Input	
Voltage	24, or 120 - 240VAC
Tolerance	± 15%
AC Line Frequency	50/60Hz
Output	
Load Type	LED or resistive
Output	Bridge Rectifier & FET
Maximum Load Rating	
120VAC to 240VAC	0.5A steady state; 5A inrush
Max. Load Leakage Current	250µA
Voltage Drop	2V typical
Mechanical	
Mounting	Surface mount with one #8 (M4 x 0.7) screw
Dimensions	Dia. 23.9 mm (0.94"); D 38.1 mm (1.5")
Protection	
Surge	IEEE C62.41 - 1991 Level A
Circuitry	Encapsulated
Environmental	
Operating/Storage	
Temperature	-20° to 60°C / -40° to 85°C
Humidity	95% relative, non-condensing
Weight	≈ 1.1 oz (31 g)