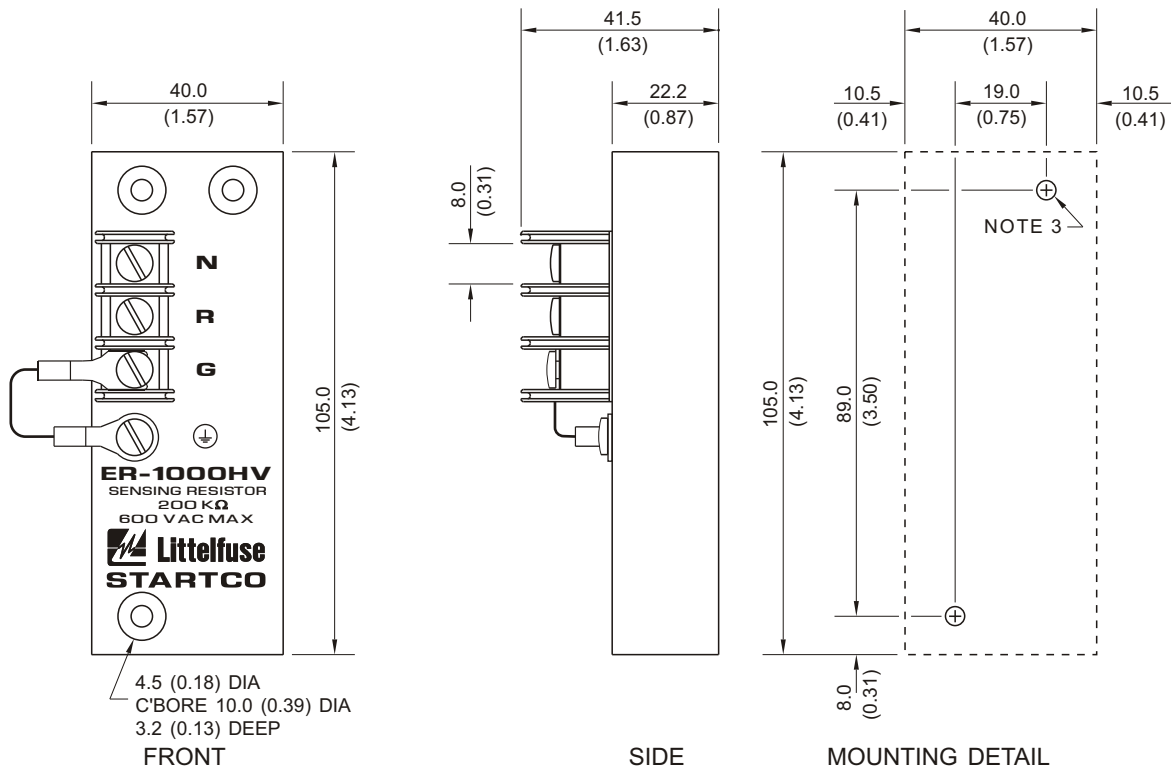


**RATINGS:**

MAXIMUM VOLTAGE . 600 Vac  
 MAXIMUM CURRENT . 3 mA  
 RESISTANCE . . . . . 200 kΩ  
 THERMAL . . . . . CONTINUOUS



**NOTES:**

1. DIMENSIONS IN MILLIMETRES (INCHES).
2. TERMINAL-BLOCK SCREWS: 6-32 x 0.25.
3. MOUNTING SCREWS: M4 OR 8-32.
4. ENCLOSURE IS ELECTRICALLY CONNECTED TO TERMINAL G THROUGH JUMPER FROM TERMINAL G TO ⚡ SCREW. THIS CONNECTION MAY BE REMOVED FOR DIELECTRIC STRENGTH TESTING. ENSURE THAT THE JUMPER IS INSTALLED AFTER TESTING.

**ER-1000HV SENSING RESISTOR**