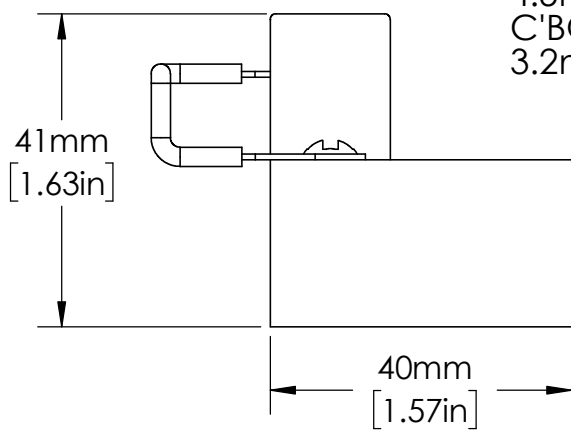
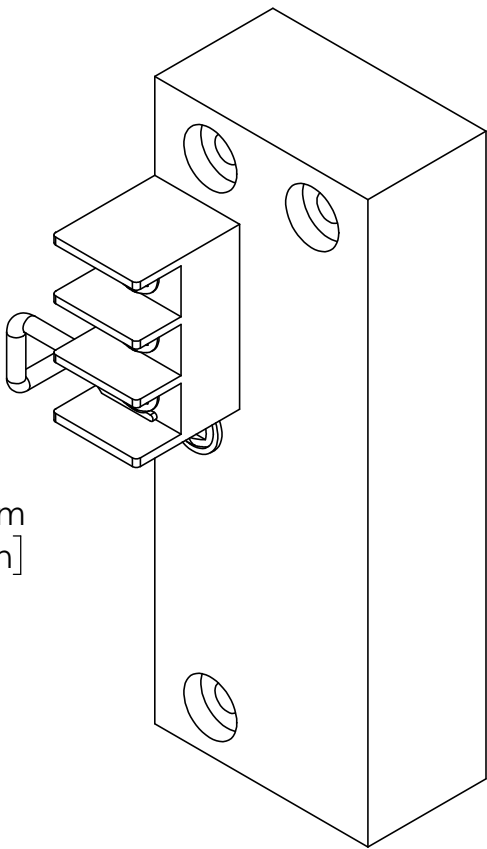


MOUNTING HOLES
 4.5mm (.18) DIA.
 C'BORE 10mm (.39) DIA.
 3.2mm (.13) DEEP



UNLESS NOTED OTHERWISE
 DIMENSIONS ARE IN INCHES
 TOLERANCES:
 TWO PLACE DECIMAL ±0.05
 NOT DRAWN TO SCALE

| | |
|---------------------------|------|
| MATERIAL | |
| NAME | DATE |
| DRAWN BY J.MOLER 03/09/23 | |



Littelfuse®

DESCRIPTION: SENSING RESISTOR
 ACCESSORY SERIES

PART NUMBER: ER-1000HV

WEIGHT:

REV A

SHEET 1 OF 1