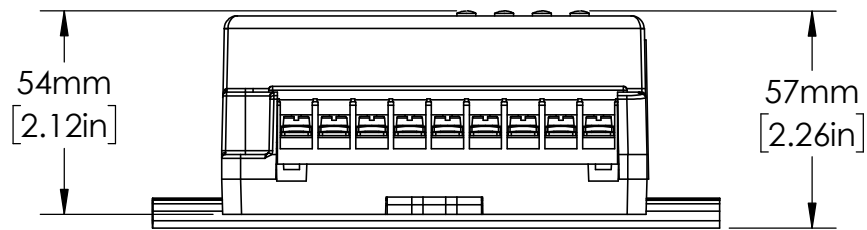
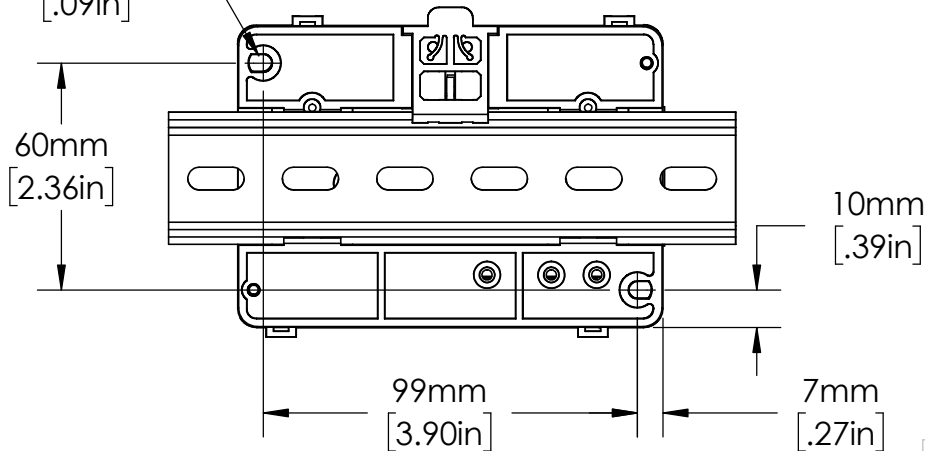


EN550022 (35.0 x 7.5mm)  
DIN RAIL SHOWN



MOUNTING  
HOLES  
R2mm  
[.09in]



UNLESS NOTED OTHERWISE  
DIMENSIONS ARE IN INCHES  
TOLERANCES:  
TWO PLACE DECIMAL ±0.05  
NOT DRAWN TO SCALE

MATERIAL	
NAME	DATE
DRAWN BY J.MOLER 03/01/23	



DESCRIPTION: GROUND FAULT PROTECTION AND 3-PHASE VOLTAGE INDICATION	
PART NUMBER: EL3100 SERIES	REV A
WEIGHT:	SHEET 1 OF 1