



IECQ Certificate of Conformity Qualification

IECQ Certificate No.:	IECQ-C BSI 15.0009	Issue No.:	6	Status:	Current
Supersedes:	IECQ-C BSI 15.0009 Issue 5	Issue Date:	2021/09/29	Org Issue:	2005/10/25
CB Reference No.:	E1274/F Issue 10	Expiration:	2024/09/30		

Dongguan Littelfuse Electronics Co Ltd
Nanfang East Road, Beiche
Humen Town, Dongguan
GuangDong
China

The organization has developed and implemented procedures and related processes which have been assessed by the IECQ Certification Body issuing this certificate and found to comply with the applicable requirements of the IECQ Approved Component Scheme "Qualification Approval" which is in accordance with the Basic Rules IECQ 01 "Rules of Procedure", IECQ 03-1 "IECQ General Requirements for all Schemes" and IECQ 03-3 Annex C "IECQ Approved Components Scheme" of the IEC Quality Assessment System for Electronic Component (IECQ), and in respect of standard(s) or specification(s):

- For a complete list of standards and specifications see the attached schedule of scope.

Process Manual Reference: DG1-QA75-0008 & DG1-QA75-0012

Details of Components/Assemblies/Materials:

Thermally Protected Varistors
Product Series: TMOV and iTMOV

-- Attached Schedule: E1274_F Scope Issue 10.pdf --

Issued by the Certification Body (CB): BSI

Kitemark Court, Davy Avenue
Knowlhill, Milton Keynes MK5 8PP
United Kingdom

Authorized person:
Paul Turner

PT



The validity of this certificate is maintained through on-going surveillance audits by the IECQ CB issuing this certificate.
This Certificate of Conformity may be suspended or withdrawn in accordance with the Rules of Procedure of the IECQ System and its Schemes.
This certificate and any schedule(s) may only be reproduced in full.
This certificate is not transferable and remains the property of the issuing IECQ CB.
The Status and authenticity of this certificate may be verified by visiting www.iecq.org



IEC QUALITY ASSESSMENT SYSTEM (IECQ)

covering Electronic Components,
Assemblies, Related Materials and Processes
For rules and details of the IECQ visit www.iecq.org

Schedule of Scope to Certificate of Conformity

Approved Component – Qualification Approval

IECQ Certificate No.: IECQ-C BSI 15.0009

CB Certificate No.: E1274/F

Schedule Number: IECQ-C BSI 15.0009-S Rev No.: 10 Revision Date: 2021/09/29 Page 1 of 3

Manufacturer's Approval Number: M1069 IECQ

Factory Code: LIL

Place(s) of Manufacture: Nanfang East Road, Humen Town, Dongguan, China

Approved Standard(s)/Specification(s)	Title
BS EN IEC 61051-1 {2018}	Varistors for use in electronic equipment. Generic specification.
BS IEC 61051-2 {1992, +A1:2009}	Harmonized system of quality assessment for electric components. Varistors for use in electronic equipment. Sectional specification for surge suppression varistors
IEC 61051-2-2 {1991-02}	Varistors for use in electronic equipment - Part 2: Blank detail specification for zinc oxide surge suppression varistors. Assessment level E.
BS EN 60950-1 {2006 + A2 2013}	Information technology equipment. Safety. General requirements - Annex Q Components.
IEC 60950-1 {Ed2.2, 2013-05}	Information technology equipment – Safety – Part 1: Annex Q – Voltage Dependent Resistors (VDRs)
EN 62368-1:2014 {2014}	Audio/video, information and communication technology equipment - Part 1: Safety Requirements – Annex G Components
IEC 62368-1 {2018}	Audio/video, information and communication technology equipment - Part 1: Safety Requirements – Annex G Components

Test Report	Dated	Accepted by BSI
TR002	June 2005	20 September 2005
TR009 (incl. Revision 1)	April 2007	23 April 2007
TR011	May 2007	22 June 2007
TR012	July 2009	16 October 2009
TR015	August 2010	1 October 2010
TRC040	September 2020	17 November 2020

This schedule is only valid in conjunction with the referenced Certificate of Approval
This approval and any schedule(s) may only be reproduced in full.
This approval is not transferable and remains the property of the issuing body.
The Status and authenticity of this approval and any schedule(s) may be verified by visiting the
Official IECQ Website. www.iecq.org

BSI, Kitemark Court Davy Avenue Knowlhill Milton Keynes MK5 8PP UK





IEC QUALITY ASSESSMENT SYSTEM (IECQ)

covering Electronic Components,
Assemblies, Related Materials and Processes

For rules and details of the IECQ visit www.iecq.org

Schedule of Scope to Certificate of Conformity

Approved Component – Qualification Approval

IECQ Certificate No.: IECQ-C BSI 15.0009

CB Certificate No.: E1274/F

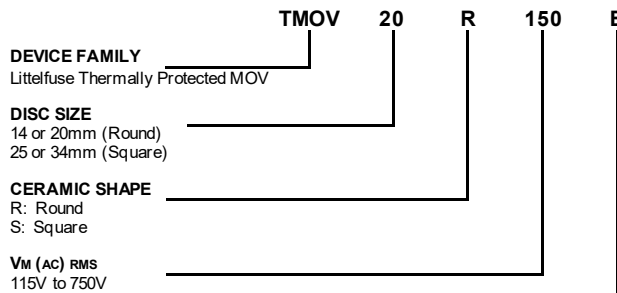
Schedule Number: IECQ-C BSI 15.0009-S

Rev No.: 10

Revision Date: 2021/09/29

Page 2 of 3

Non Lead (Pb) Free devices:

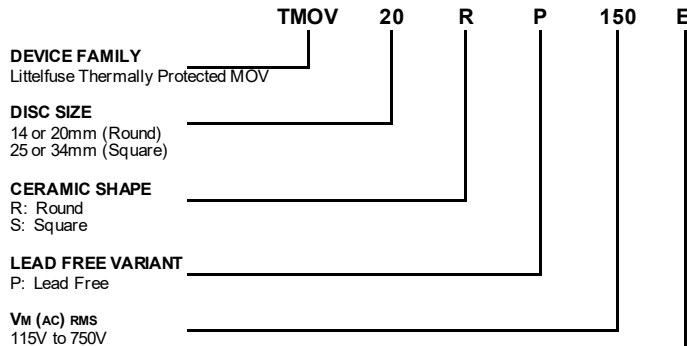


Note:
The thermal cut-off has a nominal opening temperature of 182°C.

The above Product Key may be followed by additional suffixes to cover available customer options.

Series Designator
E: 2-Leaded TMOV Varistor Series Supplied in Bulk Pack with 7.5mm lead spacing.
M: 3-Leaded iTMOV Varistor Series Supplied in Bulk Pack with 7.5mm lead spacing (between leads 1 & 2) (Available in 20mm Round and 34mm Square only)

Lead (Pb) Free devices:



Note:
The thermal cut-off has a nominal opening temperature of 215°C.

The above Product Key may be followed by additional suffixes to cover available customer options.

Series Designator
E: 2-Leaded TMOV Varistor Series Supplied in Bulk Pack with 7.5mm lead spacing.
M: 3-Leaded iTMOV Varistor Series Supplied in Bulk Pack with 7.5mm lead spacing (between leads 1 & 2) (Available in 20mm Round and 34mm Square only)

This schedule is only valid in conjunction with the referenced Certificate of Approval
This approval and any schedule(s) may only be reproduced in full.
This approval is not transferable and remains the property of the issuing body.
The Status and authenticity of this approval and any schedule(s) may be verified by visiting the Official IECQ Website. www.iecq.org

BSI, Kitemark Court Davy Avenue Knowlhill Milton Keynes MK5 8PP UK





IEC QUALITY ASSESSMENT SYSTEM (IECQ)

covering Electronic Components,
Assemblies, Related Materials and Processes

For rules and details of the IECQ visit www.iecq.org

Schedule of Scope to Certificate of Conformity

Approved Component – Qualification Approval

IECQ Certificate No.: IECQ-C BSI 15.0009

CB Certificate No.: E1274/F

Schedule Number: IECQ-C BSI 15.0009-S

Rev No.: 10

Revision Date: 2021/09/29

Page 3 of 3

Certified Parts:

Parts as detailed in QC 42201-C001 and as demonstrated by testing in accordance with QC 42201-A001 and therefore limited in the matrix following.

Device Rating (Vac)	Applied Overvoltage (Vac)	Limited Current (A)
115	240	0.125, 0.5, 2.5, 5.0
130	240	0.125, 0.5, 2.5, 5.0
140	240	0.125, 0.5, 2.5, 5.0
150	240	0.125, 0.5, 2.5, 5.0
175	240	0.125, 0.5, 2.5, 5.0
180	240	0.125, 0.5, 2.5, 5.0
200	415	0.125, 0.5, 2.5, 5.0
230	415	0.125, 0.5, 2.5, 5.0
250	415	0.125, 0.5, 2.5, 5.0
275	415	0.125, 0.5, 2.5, 5.0
300	480	0.125, 0.5, 2.5, 5.0
320	480	0.125, 0.5, 2.5, 5.0
330	480	0.125, 0.5, 2.5, 5.0
350	480	0.125, 0.5, 2.5, 5.0
385	600	0.125, 0.5, 2.5, 5.0
420	600	0.125, 0.5, 2.5, 5.0
440	600	0.125, 0.5, 2.5, 5.0
460	600	0.125, 0.5, 2.5, 5.0
510	1000	0.125, 0.5, 2.5, 5.0
550	1000	0.125, 0.5, 2.5, 5.0
575	1000	0.125, 0.5, 2.5, 5.0
620	1000	0.125, 0.5, 2.5, 5.0
625	1000	0.125, 0.5, 2.5, 5.0
660	1000	0.125, 0.5, 2.5, 5.0
680	1000	0.125, 0.5, 2.5, 5.0
750	1000	0.125, 0.5, 2.5, 5.0

This schedule is only valid in conjunction with the referenced Certificate of Approval

This approval and any schedule(s) may only be reproduced in full.

This approval is not transferable and remains the property of the issuing body.

The Status and authenticity of this approval and any schedule(s) may be verified by visiting the
Official IECQ Website. www.iecq.org

BSI, Kitemark Court Davy Avenue Knowlhill Milton Keynes MK5 8PP UK

