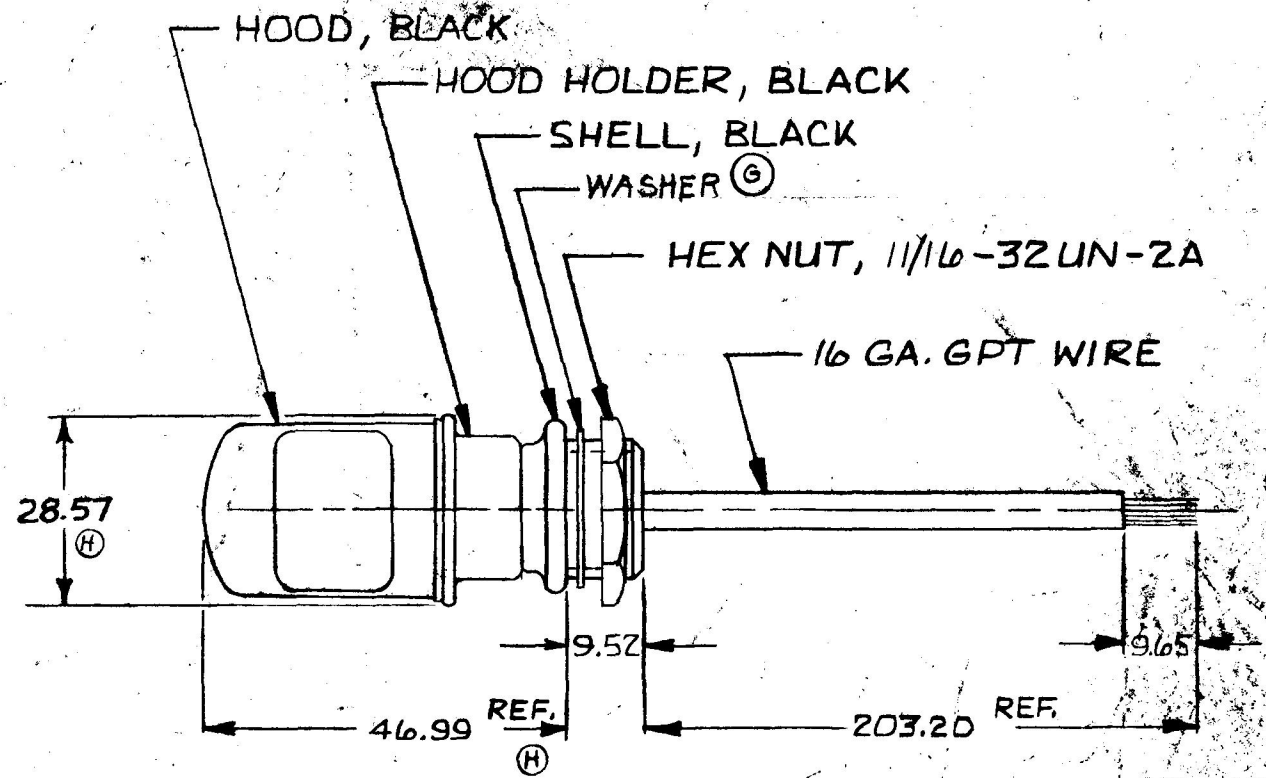


MM IN

25	.010
9.52	.375
9.65	.380
28.57	1.124
46.99	1.850
203.20	8.000

DL 21




DL 21-24V	623
DL 21-12V	67
DL 21-6V	63
DL 21	NONE
PART NO.	BULB

NOTE:  
ALL STEEL PARTS PLATED

METRIC

DO NOT SCALE

LET.	WAS	DATE	BY	LET	WAS	DATE	BY	MATERIAL	DRAWN	CHECKED	APPR'D.	SCALE	DATE DRAWN
								—H—	GK	RJZ		1:1	11-15-55
				H	CORRECT VIEW / 23093	5-11-86	VAK	FINISH	 Cole Hersee Co. <small>20 OLD COLONY AVENUE, SOUTH BOSTON, MA, U.S.A. 02127</small>				DATE BLUEPRINT
				G	CHANGE WASHER TO 21939	5-11-84	VAK	—H—					
				F	1252 IN ESSG	11-5-83	AVF	TOLERANCES	DASH LAMP				DL 21
				E	REDRAWN ADDED CHART	1-19-81	CB	DECIMAL ± METRIC ±.25					

CH-188(4-78)