

LF SERIES FUSE BLOCK COVERS



Specifications

| | |
|----------------------------|--|
| Connection | Snap to fuse body |
| Molded Base | Black thermoplastic |
| Flammability Rating | UL94 V-0 |
| Approvals | UL Listed (File: E184929) CSA Certified (File: 007316_0_000 Class 6225-01) |

Features/Benefits

- Added safety to personnel
- Ventilated to avoid fuse derating
- Reusable
- UL listed and CSA certified
- Available for Class H/R, Class J, Class T and Class CD
- Convenient snap-on feature
- Allows visibility of indicator fuse block light

Description

Littelfuse fuse block covers protect personnel from accidentally coming into contact with energized parts. Covers are for use with Littelfuse UL class fuse blocks. Review the ordering information or contact the factory for available covers

Web Resources

Downloadable CAD drawings, dimensions and other technical information, visit Littelfuse.com/fuseblocks

Ordering Information

| UL CLASS | FUSE BLOCK BASE PART NUMBER* | VOLTAGE | AMPERAGE | COVER ORDERING NUMBER |
|-----------|------------------------------|---------|----------|-----------------------|
| Class H/R | LFH25030 / LFR25030 | 250 | 30 | LFH25030FBC |
| Class H/R | LFH25060 / LFR25030 | 250 | 60 | LFH25060FBC |
| Class H/R | LFH25100 / LFR25100 | 250 | 100 | LFH25100FBC |
| Class H/R | LFH60030 / LFR60030 | 600 | 30 | LFH60030FBC |
| Class H/R | LFH60060 / LFR60060 | 600 | 60 | LFH60060FBC |
| Class H/R | LFH60100 / LFR60100 | 600 | 100 | LFH60100FBC |
| Class J | LFJ60030 | 600 | 30 | LFJ60030FBC |
| Class J | LFJ60060 | 600 | 60 | LFJ60060FBC |
| Class J | LFJ60100 | 600 | 100 | LFJ60100FBC† |
| Class T | LFT30030 | 300 | 30 | LFT30030FBC |
| Class T | LFT30060 | 300 | 60 | LFT30060FBC |
| Class T | LFT30100 | 300 | 100 | LFT30100FBC |
| Class T | LFT60030 | 600 | 30 | LFT60030FBC |
| Class T | LFT60060 | 600 | 60 | LFT60060FBC |
| Class T | LFT60100 | 600 | 100 | LT60100FBC |
| Class T | LFT60200 | 600 | 200 | LT60200FBC |
| Class T | LFT60400 | 600 | 400 | LT60400FBC |
| Class T | LFT60600 | 600 | 600 | LT60600FBC |
| Class CD | LFC60060 | 600 | 60 | LFC60060FBC |
| Class CC | L60030C | 600 | 30 | SPL001 |

* Part number shown excludes reference to number of poles and terminal type

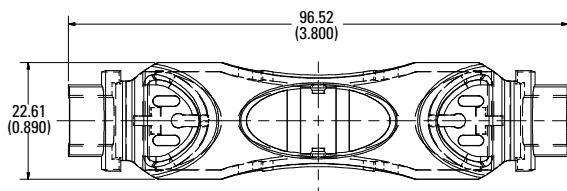
† Cover is not compatible with 70-100 A JLS series fuses

LF SERIES FUSE BLOCK COVERS

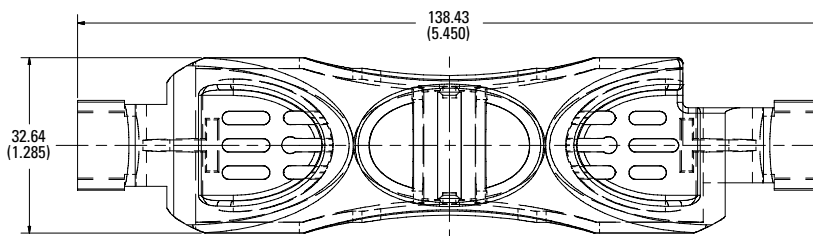
Dimensions in mm (inches)

Class H/R

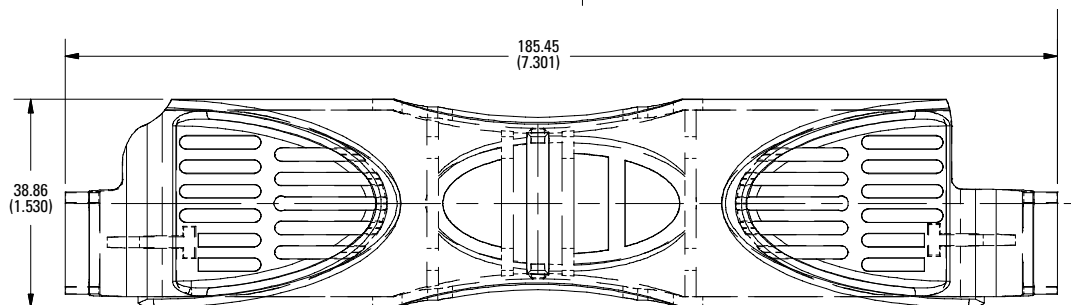
250 V 30 A



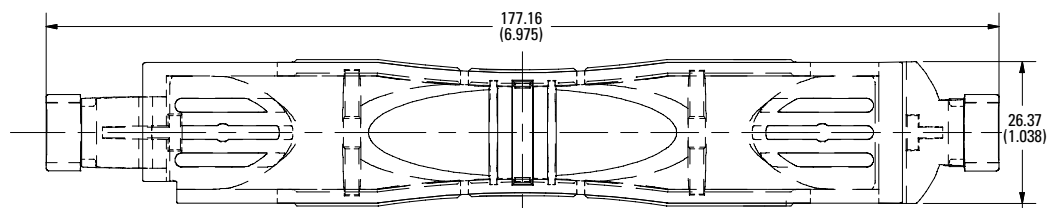
250 V 60 A



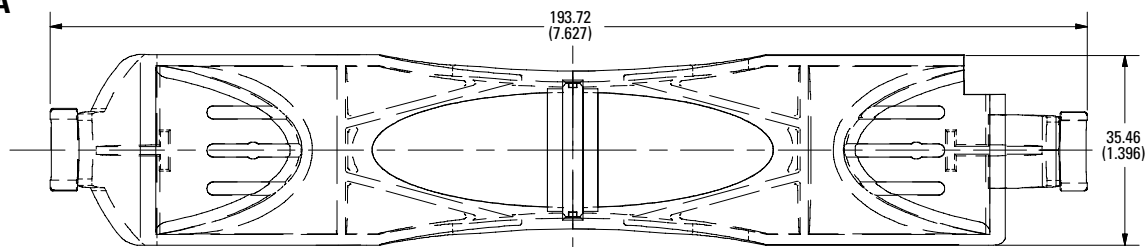
250 V 100 A



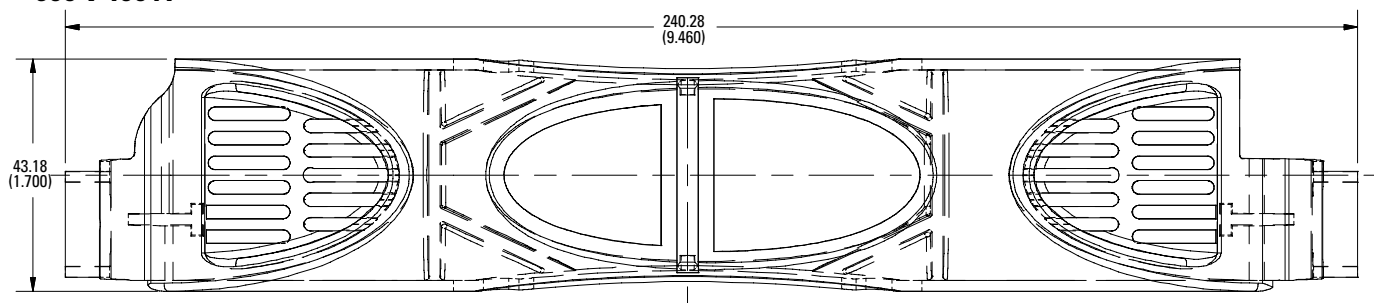
600 V 30 A



600 V 60 A



600 V 100 A



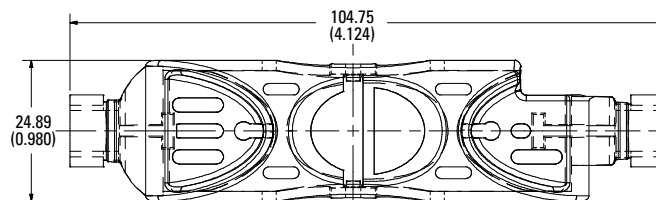
Also available at Littelfuse.com/fuseblocks

LF SERIES FUSE BLOCK COVERS

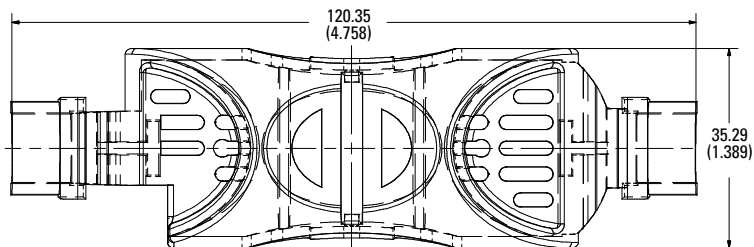
Dimensions in mm (inches)

Class J

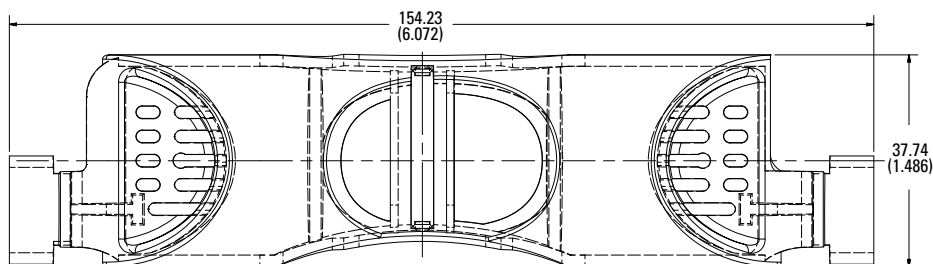
600 V 30 A



600 V 60 A



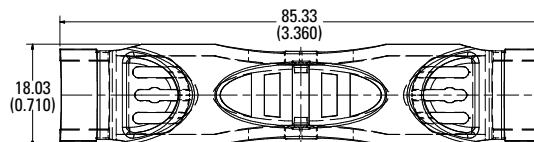
600 V 100 A



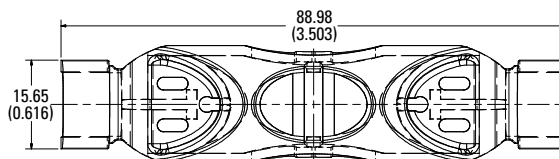
Dimensions in mm (inches)

Class T

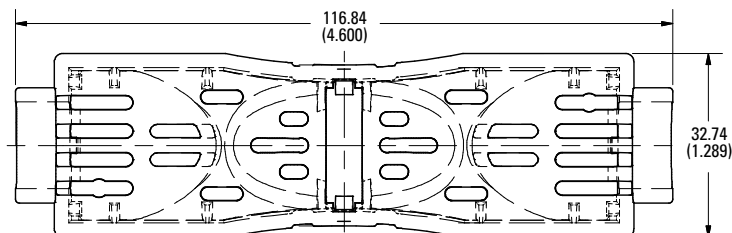
300 V 30 A



300 V 60 A



300 V 100 A



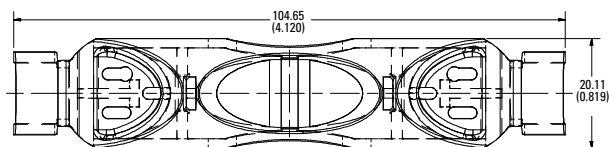
Also available at Littelfuse.com/fuseblocks

LF SERIES FUSE BLOCK COVERS

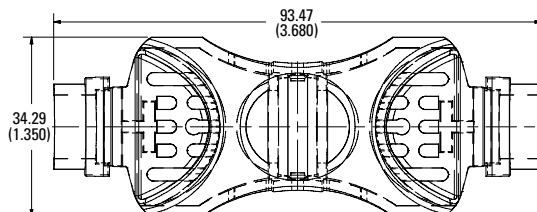
Dimensions in mm (inches)

Class T

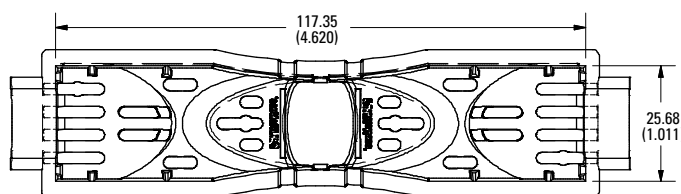
600 V 30 A



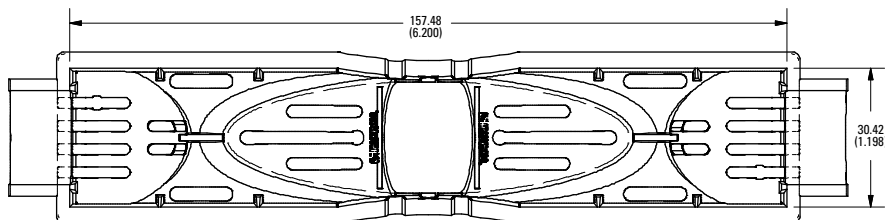
600 V 60 A



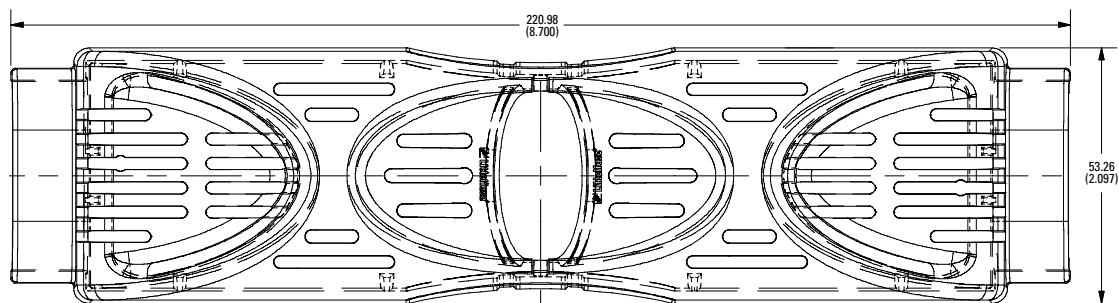
600 V 100 A



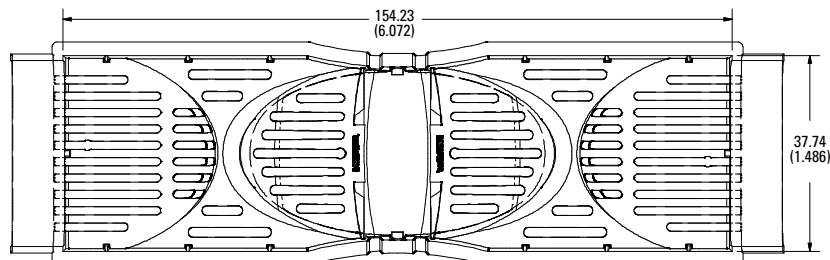
600 V 200 A



600 V 400 A



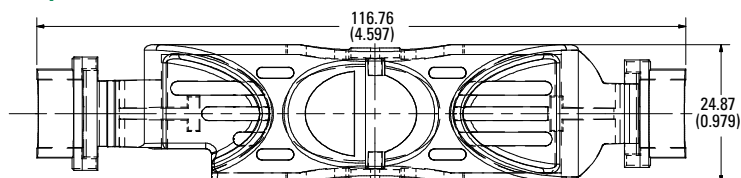
600 V 600 A



Dimensions in mm (inches)

Class CD

600 V 60 A



Also available at Littelfuse.com/fuseblocks