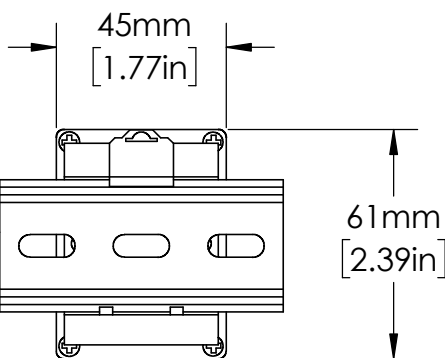


OT08PC
RELAY SOCKET

35mm
DIN RAIL



UNLESS NOTED OTHERWISE
DIMENSIONS ARE IN INCHES
TOLERANCES:
TWO PLACE DECIMAL ±0.05
NOT DRAWN TO SCALE

MATERIAL	
NAME	DATE
DRAWN BY J.MOLER	01/03/23



DESCRIPTION: VOLTAGE MONITORING, PUMP & LIQUID LEVEL CONTROL	
PART NUMBER: ALT-XXX-3 SW SERIES	REV A
WEIGHT:	SHEET 1 OF 1