

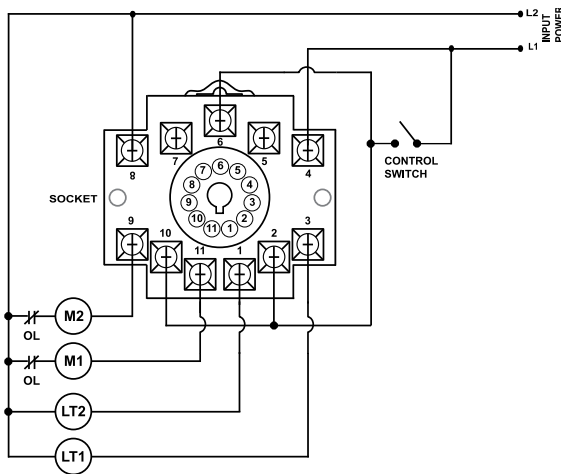
ALT-XXX-1-SW / ALT-XXX-3-SW SERIES

Alternating Relay

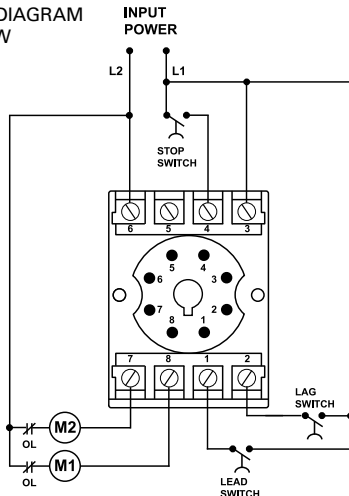


Wiring Diagram

TYPICAL WIRING DIAGRAM FOR ALT-XXX-1-SW



TYPICAL WIRING DIAGRAM FOR ALT-XXX-3-SW



Description

The ALT-xxx-1-SW/ALT-xxx-3-SW Series are used to alternate between two loads and are commonly used in duplex pump-up and pump-down applications to balance the runtime of both pumps.

The ALT relays have a built-in debounce time delay that prevents the relay from changing state if the float momentarily bounces, and they have a built-in switch to manually force a specific load (pump) to operate each time the input float closes. This is helpful when performing periodic maintenance or pump repair.

Must use the OT08PC socket for the 8-pin models, and the OT11PC socket for the 11-pin models, for UL Rating!

*Note: Manufacturer's recommended screw terminal torque for the OT Series Octal Sockets is 12 in.-lbs.

Features & Benefits

FEATURES	BENEFITS
Debounce time delay	Prevents rapid cycling caused by waves or splashing in the tank
LED indicators	Visual indication of load operation in duplex application
Built-in manual switch to force load operation	Helpful to control load operation when performing periodic maintenance or pump repair
ALT-xxx-3-SW offers duplexing	Allows lag pump to energize if lead pump can't handle current demand

Accessories



OT08PC 8-pin Octal Socket

Octal Socket for plug-in units. 8-pin surface & DIN rail mountable. Rated for 10A @ 600VAC.



OT11PC 11-pin Magnal Socket

11-pin surface & DIN rail mountable. Rated for 10A @ 300VAC

Ordering Information

MODEL	LINE VOTAGE	MOUNTING	DESCRIPTION
ALT-100-1-SW	95-120VAC	11-pin magnal	Single float input, two isolated Form C relays (DPDT), 2 LEDs for load indication
ALT-100-3-SW	95-120VAC	8-pin octal	Three float inputs (lead, lag, stop floats), actuating latching relays on lead/lag floats, 2 LEDs for load indication
ALT-200-3-SW	190-240VAC	8-pin octal	Three float inputs (lead, lag, stop floats), actuating latching relays on lead/lag floats, 2 LEDs for load indication

ALT-XXX-1-SW / ALT-XXX-3-SW SERIES

Specifications

Input Characteristics

Supply Voltage

ALT-100-1-SW, ALT-100-3-SW	95-120VAC
ALT-200-3-SW	190-240VAC
Frequency	50/60Hz

Functional Characteristics

Debounce Time Delay

ALT-100-1-SW, ALT-100-3-SW,	1 second
ALT-200-3-SW	5 seconds

Output Characteristics

Output Relay (DPDT)

Pilot Duty	480VA @ 240VAC
General Purpose	10A @ 240VAC

General Characteristics

Temperature Range	-40° to 70°C (-40° to 158°F)
Maximum Input Power	5 W

Standards Passed

Electrostatic Discharge (ESD)	IEC 61000-4-2, Level 3, 6kV contact, 8kV air
Radio Frequency, Radiated	150MHz, 10V/m
Fast Transient Burst	IEC 61000-4-4, Level 3, 3.5kV input power and controls

Safety Marks

UL (OT08PC or OT11PC octal socket required)

UL508 (File #E68520)

CE

IEC 60947-6-2

Dimensions

H 44.45 mm (1.75"); **W** 60.33 mm (2.375");
D 104.78 mm (4.125") (with socket)

Weight

0.65 lb. (10.4 oz., 294.84 g)

Mounting Method

DIN rail or surface mount (plug into OT08PC
or OT11PC socket)

Sockets Available

Model OT08PC

UL Rating 600V

Model OT11PC

UL Rating 300V

The sockets can be surface mounted or installed on DIN Rail.