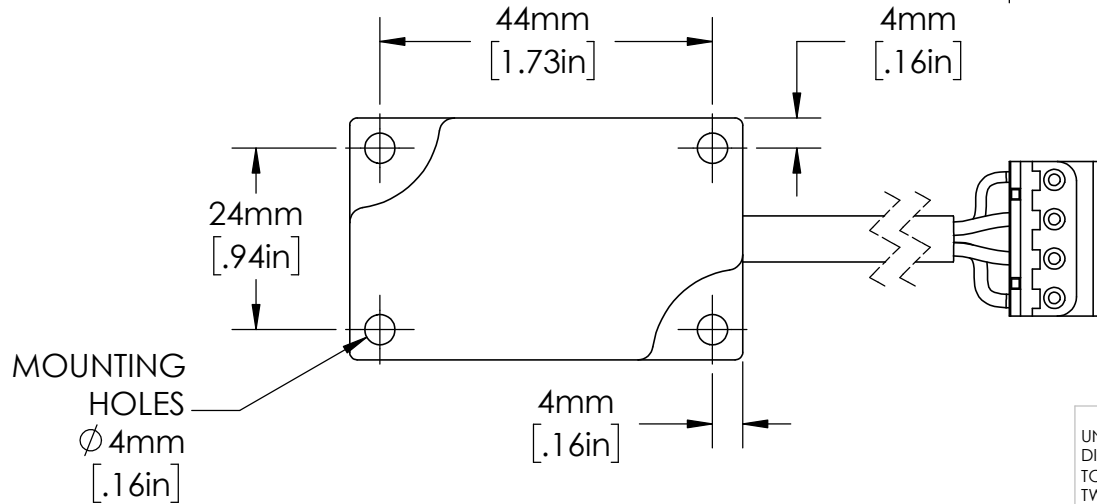
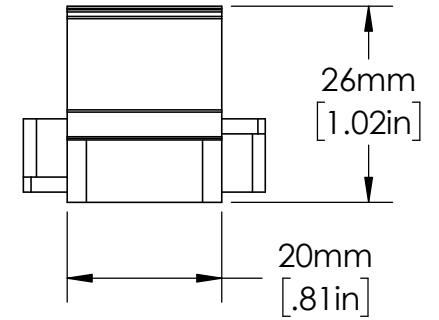
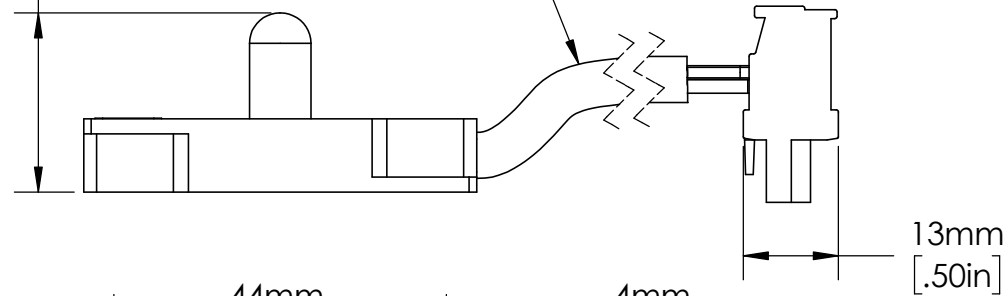
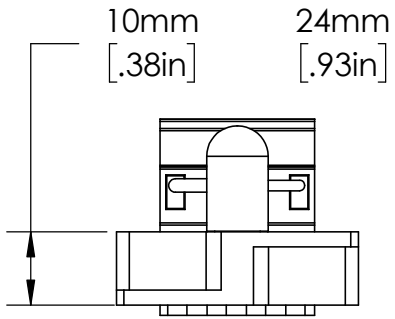


SENSOR IS SUPPLIED WITH 10 METER (32.8ft.) LONG CABLE.



UNLESS NOTED OTHERWISE DIMENSIONS ARE IN INCHES
TOLERANCES:
TWO PLACE DECIMAL ±0.05
NOT DRAWN TO SCALE

MATERIAL	
NAME	DATE
DRAWN BY J.MOLER 04/06/23	



DESCRIPTION:
ARC FLASH DETECTION
POINT SENSOR RELAY ACCESSORY
PART NUMBER:
A 1000 SERIES
WEIGHT:

REV
A

SHEET 1 OF 1