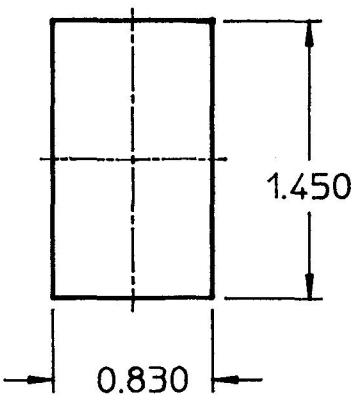
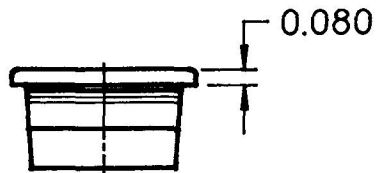
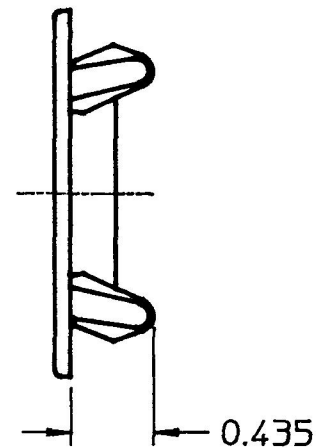
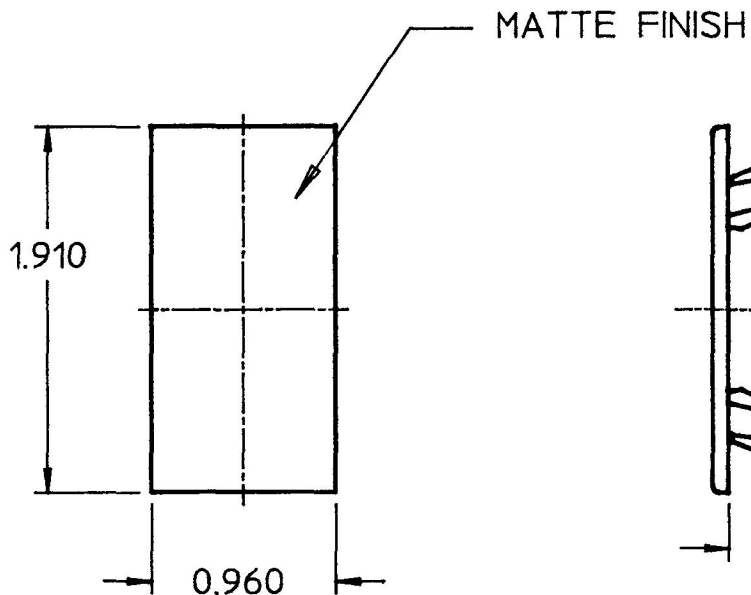


98628




PANEL
OPENING



- NOTES:
 1. MATERIAL: NYLON 6/6, BLACK
 2. PANEL THICKNESS 0.030-0.250

DO NOT SCALE

LET.	WAS	DATE	BY	LET.	WAS	DATE	BY	MATERIAL	DRAWN	CHK	APVD	SCALE	DATE DRAWN
									DPS	<i>[Signature]</i>		1:1	2/2/93
								FINISH	 Cole Hersee Co. 20 OLD COLONY AVENUE, BOSTON, MA, U.S.A. 02127				DATE BLUEPRINTED
								TOLERANCES	COVER				98628
							ISSUED	DECIMAL ± 0.005					
							6/9/93	ANGLE ±	AF				