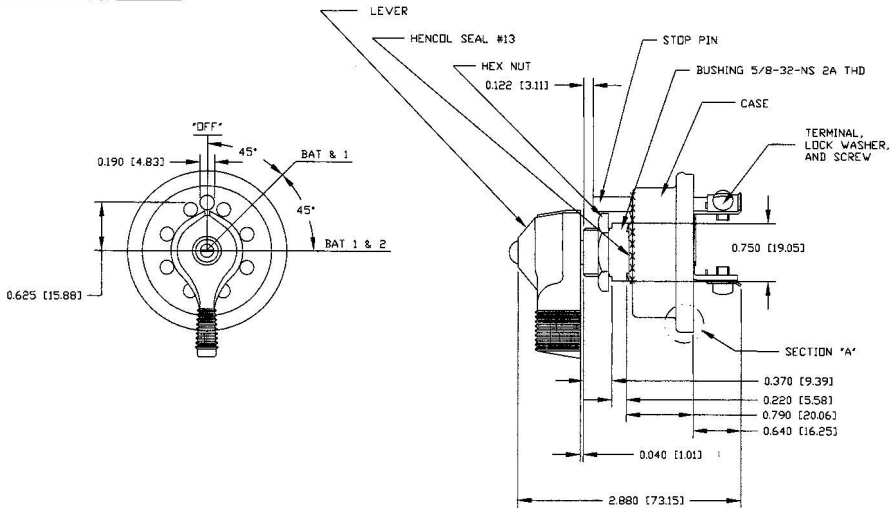


GASKET-NEOPRENE OR EQUIVALENT

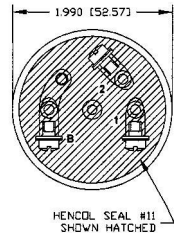


SCALE 2:1  
VIEW OF SECTION "A"

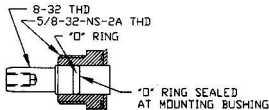


Revision Control Record

Rev.	Description of Change	ECN No.	Date
N	ADDED HENCOL SEAL	01421	7/19/01
P	BOM CHANGE	17464	5/10/17



- NOTES:
1. SOLDER LAMINATED SHOULDER RIVETS & SOLID SILVER RIVETS (3 REQ'D) ON INTERNAL CONTACT PLATE
  2. MELAMINE LINER
  3. SWITCH HAS 20 AMP CAPACITY



**Tolerances:** Unless otherwise specifically noted, the following apply:  
 • 2-place Decimal Dimensional:  $\pm .02$ "  
 • 3-place Decimal Dimensional:  $\pm .002$ "  
 • Angular Dimensional:  $\pm 1.0$  Deg.  
 • Holes: Refer to applicable English Dimensional Tolerances  
 • Holes: All tolerances are Non-Compliance, unless otherwise specified.

**Dimensional Note:** All dimensions are expressed in inches unless otherwise indicated in brackets (inch) are expressed in millimeters.

**UNIT:** INCHES, UNLESS OTHERWISE SPECIFIED.  
 DIMENSIONS: ALL DIMENSIONS ARE UNLESS OTHERWISE SPECIFIED.

**PROPRIETARY INFORMATION:** This Engineering Drawing, and the information contained herein, is proprietary to Cole Hersee Company and may not be disclosed, reproduced, or in any other way transmitted or communicated to any other party without the express written consent of an authorized representative of Cole Hersee Company.

**DESIGN CONTROL:** It is the responsibility of the individual using information derived from this drawing to ensure that the actual design remains in accordance with the version of the Controlled Document (Drawing) used. This is a non-compliance (N/C) unless otherwise specifically noted.

**DO NOT SCALE:** Dimensional variation may occur during printing/ reproduction.

**For Use Based Characteristics:**  
 Critical Characteristics: relating to safety and/or Regulatory Compliance  
 Significant Characteristics: relating to Process Control (IPC)

Control Characteristics relating to Form - Fit - Function as defined by Cole Hersee Company and/or the Customer.

Notes that the modification of any characteristic as being "Special" does not alter the requirement that ALL specified dimensions & tolerances must be met.

**Cole Hersee Co.**  
 20 Old Colony Ave., South Boston, MA, 02127  
 P.O. Box 697-369-2160 Web: www.colehersee.com

Description: 3 POSITION ROTARY SWITCH

Drawing / Part No.: 9802  
 Current Rev.: P