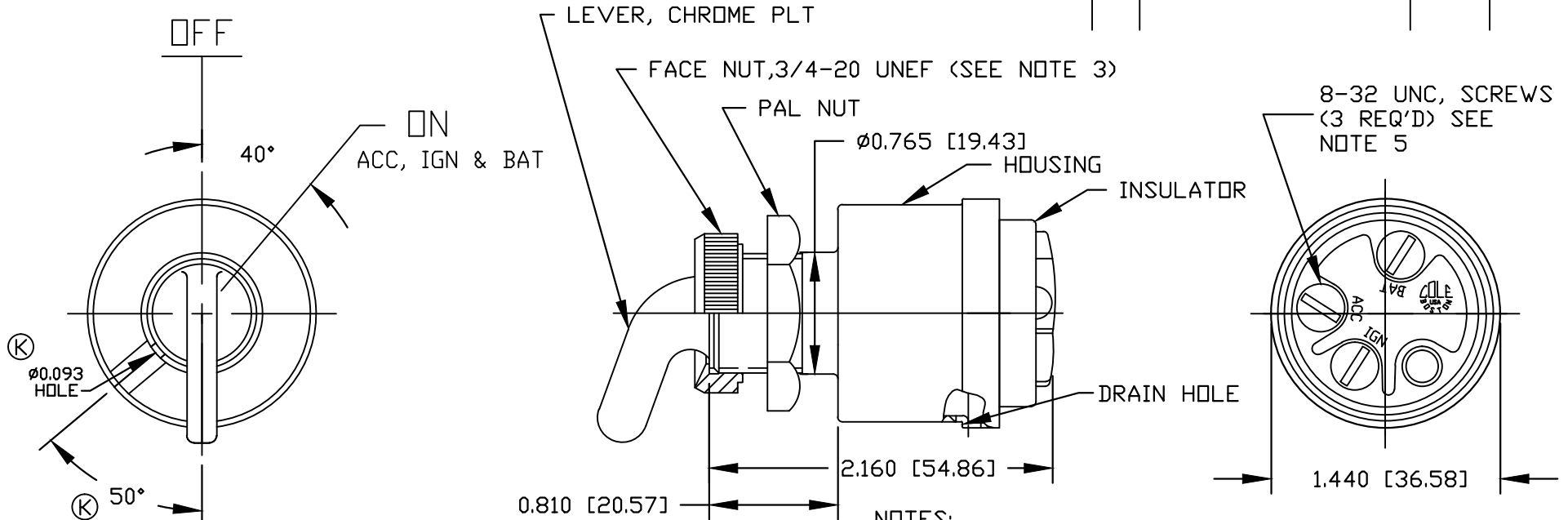


**Revision Control Record**

Rev.	Description of Change	ECN No.	Date
<b>K</b>	SHOW SECOND DRAIN HOLE	05395	10/05/05
<b>L</b>	ADD NOTES	15986	06/21/16



95633-A	MINUS FUNGUS PROOF
95633	AS SHOWN
PART NO.	DESCRIPTION

- NOTES:
1. APPLICABLE SAE STANDARDS OR RECOMMENED PRACTICE SAE J259
  2. ALL STEEL PARTS PLATED
  3. FACE NUT ADAPTS TO 0.750/0.875 [19.05/22.22 DIA
  4. TERM INSUL & CONT INSUL. MOISTURE & FUNGUS RESISTANT (HENCOL SEAL #24)
  5. NOT EXCED TORQUE IN SCREWS 8/32 (10-12 LBS-IN)

**Tolerances** Unless otherwise specifically noted, the following are default tolerances;  
 \* 2-place Decimal Dimensions +/- .02"  
 \* 3-place Decimal Dimensions +/- .005"  
 \* Angular Dimensions +/- 1.0 Deg.  
 \* Metric: Refer to equivalent English Dimension Tolerance  
 >>> NOTE: All tolerances are Non-Cumulative. <<<

**Dimensional Units** All dimensions are expressed in inches except those shown in brackets (xxx) are expressed in millimeters

"REF." or an Asterisk (\*) = Non-Toleranced Reference Dimension, shown for clarification purposes only.

**PROPRIETARY INFORMATION** This Engineering Drawing, and the information contained herein, is proprietary to Cole Hersee Company and may not be disclosed, re-produced, or in any other way transferred or communicated to any other party without the express written consent of an authorized representative of Cole Hersee Company.

**DESIGN CONTROL** It is the responsibility of the individual using / referencing this drawing to assure that the noted design revision level agrees with the revision level of the Controlled Document (Master Drawing). This is a NON-CONTROLLED DOCUMENT unless otherwise specifically noted.

DO NOT SCALE - Dimensional variation may occur during printing / reproduction.

**Special Characteristics:**

- Critical Characteristic, relating to Safety and/or Regulatory Compliance
- Significant Characteristic relating to Process Control (SPC)
- Key Characteristic relating to Form - Fit - Function as defined by Cole Hersee Company and/or the Customer

(Note that the identification of any Characteristics as being "Special" does not alter the requirement that ALL specified dimensions & tolerances must be met.)



**Cole Hersee Co.**

20 Old Colony Ave., South Boston, MA, 02127  
 Phn: 617-268-2100 Web: www.colehersee.com

**Description:**

**2 POSITON SW**

**Drawing / Part No.:**

**95633**

**Current Rev.:**

**L**

Used On or Ref.:

Scale: **1:1**

Drawn By: **EA**

Date Drawn: **12/30/65**

Responsible Engineer:

**Pg. 1 of 1**