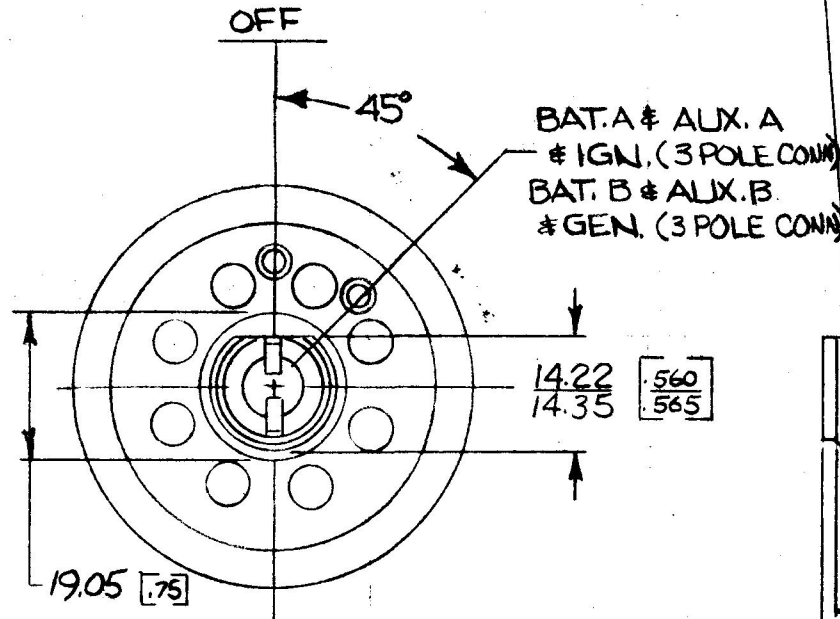
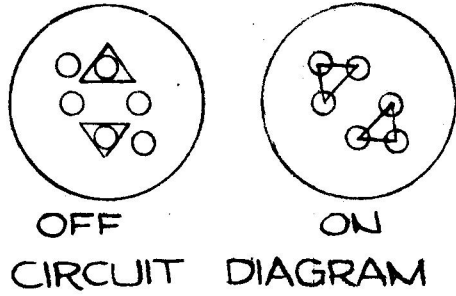


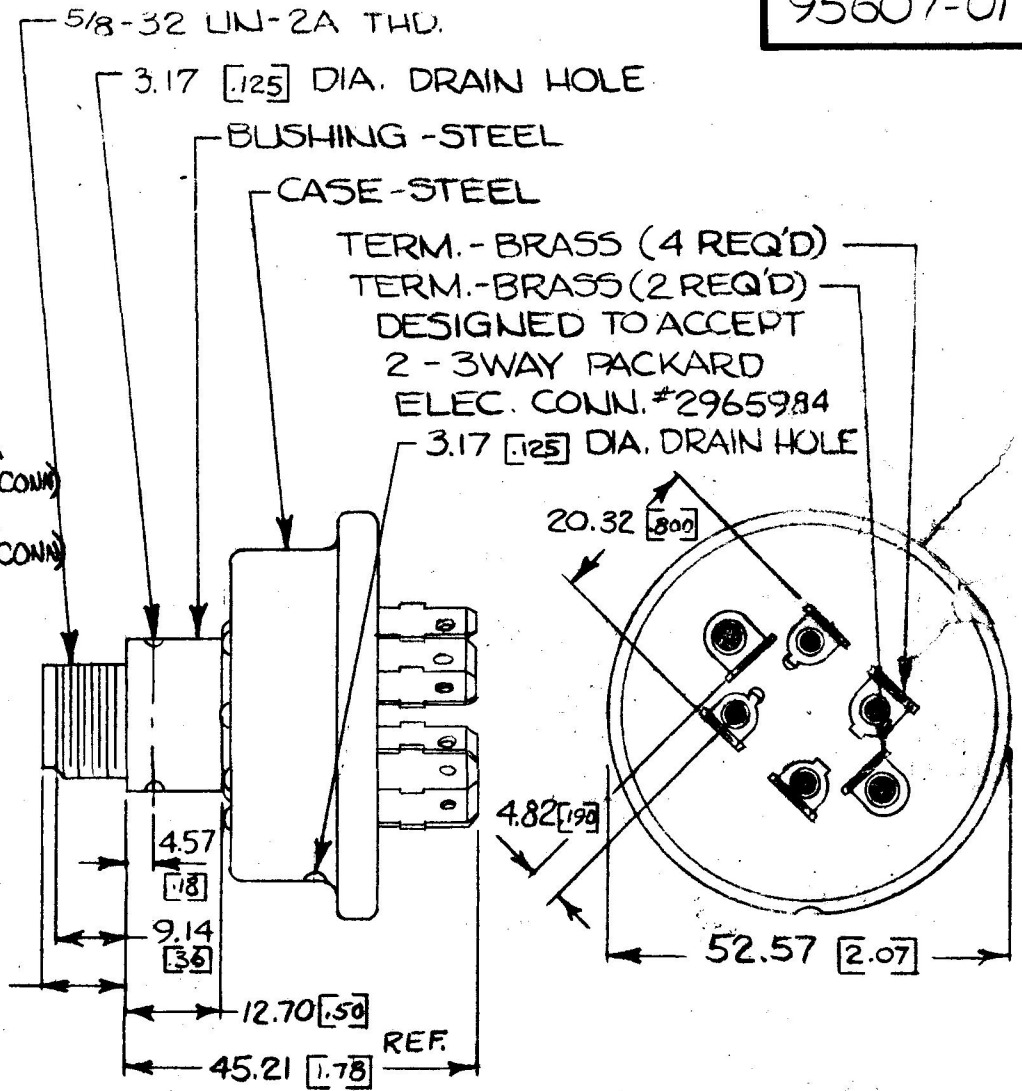
COLE-HERSEE CO. NPM 10-3-72

95607-01



NOTE: (P)  
ALL EXTERIOR STEEL PARTS PLATED

APPLICABLE SAE STANDARD OR  
RECOMMENDED PRACTICE SAE J259



- 1) ● DENOTES SILVER CONTACT SURFACES
- 2) O-RING SEALED AT BUSHING
- 3) TS GRADE GLASS MATTE TERM. INSUL.
- 4) MELAMINE LINER
- 5) DESIGNED TO OPERATE BY 8394 KEY DO NOT SCALE

LET	WAS	DATE	BY	LET	WAS	DATE	BY	MATERIAL	DRAWN	CHECKED	APPR'D.	SCALE	BASIC 95607 EXCEPT WITH DRAIN HOLE	DATE DRAWN
								H	HA	✓		1:1		6-28-71
								FINISH	<b>COLE-HERSEE COMPANY</b> BOSTON, MASS. 02127, U.S.A. <b>AUXILIARY &amp; IGNITION SWITCH</b>					DATE BLUEPRINT
				F	25234	11/5/72	TJH	TOLERANCES						
				E	REDRAWN	12-27-75	ua	FRACTIONAL ±						
								DECIMAL ±.010						

SPAULDING CO., INC. 21-56481