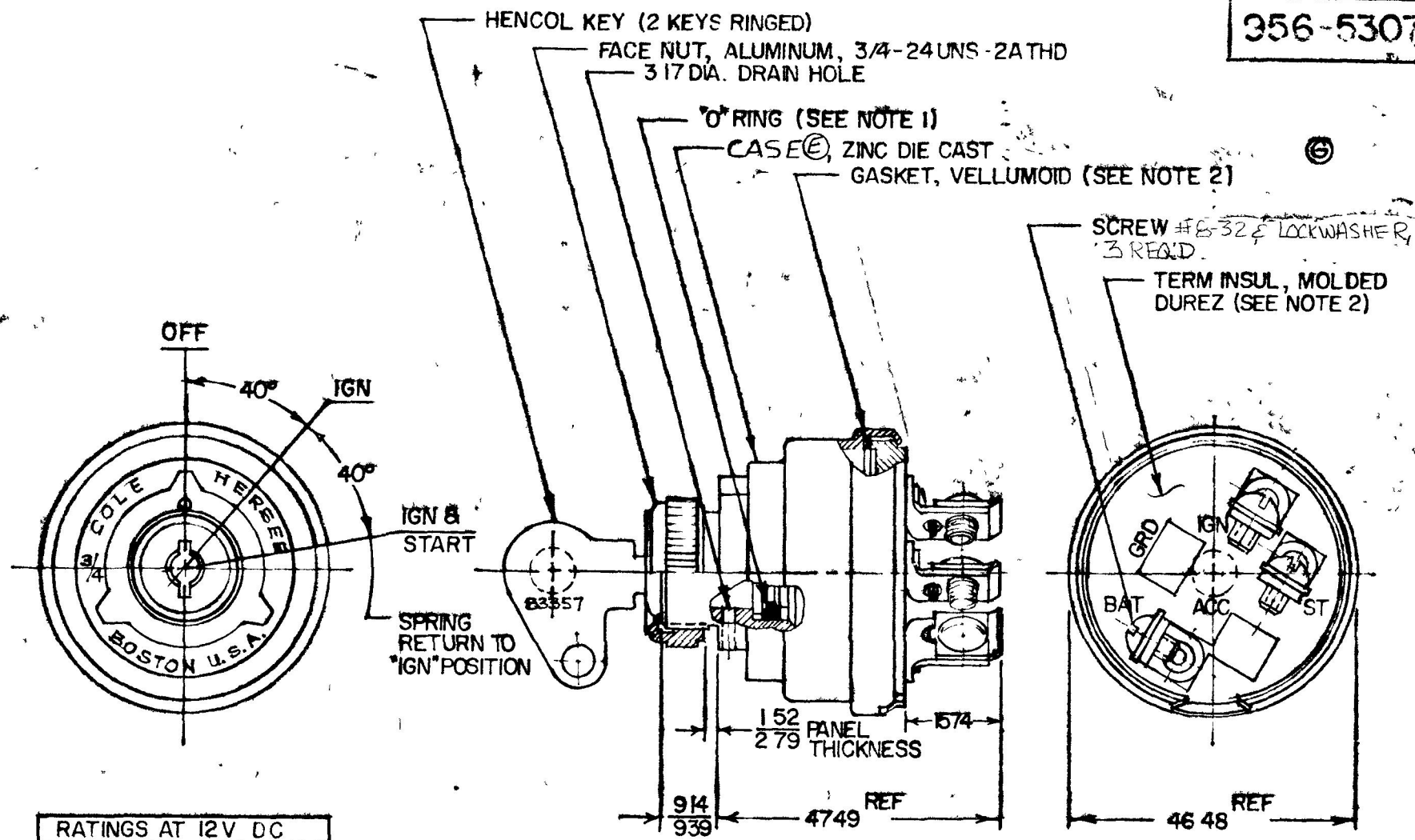


MM	IN
1.52	.010
2.79	.110
3.14	.360
3.39	.370
5.74	.620
6.48	.830
7.49	1.070
8.17	1.25

356-5307



RATINGS AT 12V DC	
IGN CIRCUIT	10 AMPS
START	5

- NOTE
1. SHAFT O-RING SEALED TO CASE
  2. TERM INSUL GASKET SEALED
  3. ALL STEEL PARTS PLATED 11T W/DIC-IRON, FL DIP OR CAL 17
  4. APPLICABLE SAE STANDARD OR RECOMMENDED PRACTICE SAE J259

**METRIC**

DO NOT SCALE

LET	WAS	DATE	BY	LET	WAS	DATE	BY	MATERIAL	DRAWN	CHECKED	APPRV D	SCALE	DATE DRAWN
								—	CF	11-20-78		1:1	1-10-66
				G	LEN # 60139	3/1/00	KF	FINISH	 WOLD COLONY AVENUE SOUTH BOSTON MA U.S.A. 02127				DATE BLUEPRINT
				F	CADU 725239	12/18/92	TH	—					
				E	HOUSING	8-17-82	PS	TOLERANCES	<b>3 POS IGNITION &amp; START SW 956-5307</b>				<b>956-5307</b>
				D	REDRAWN	11-8-78	RR	FRACTIONAL ±					
								DECIMAL ± .25					

CH-188 (4-78)