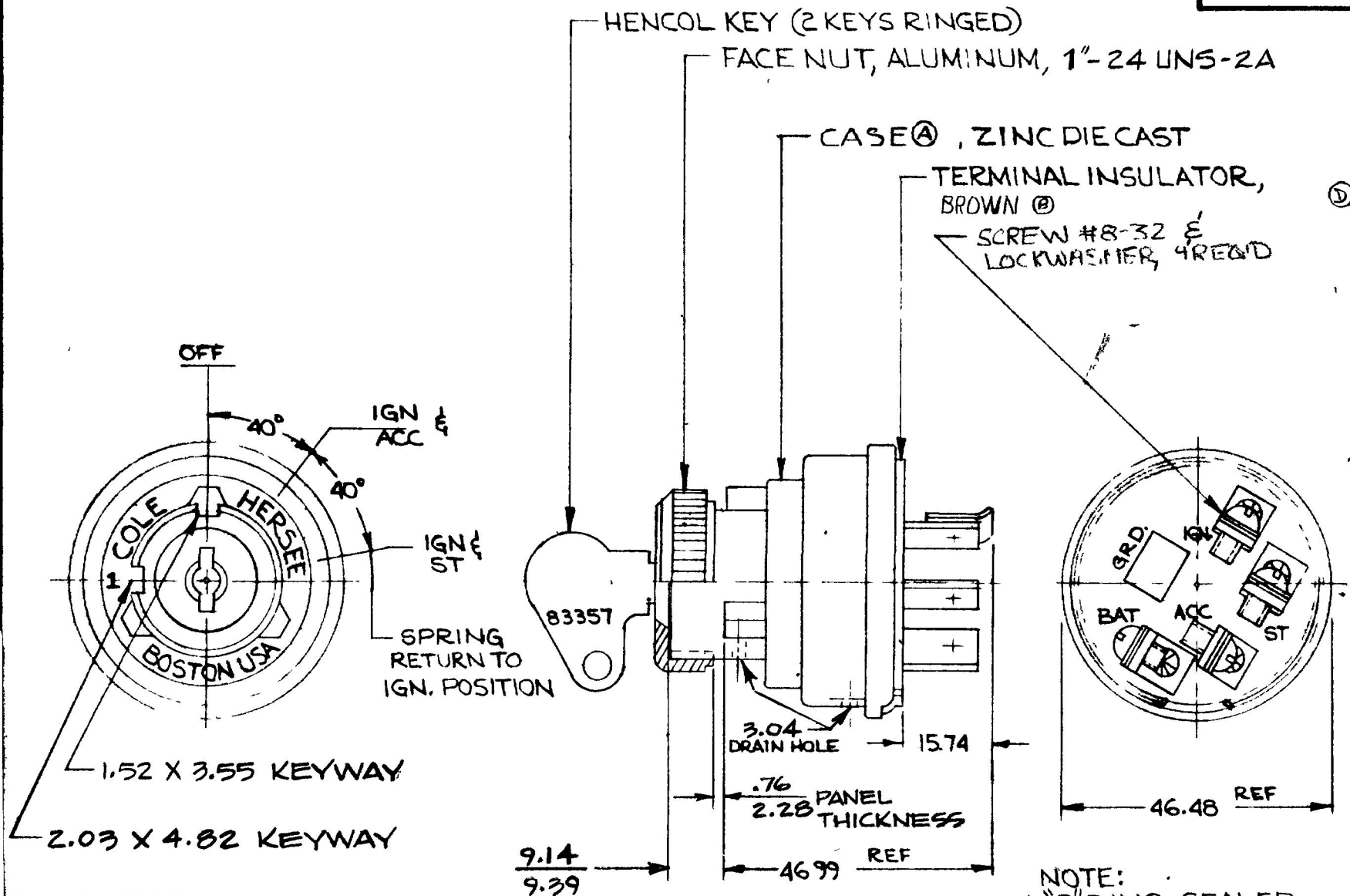


MM	IN.
.25	.010
.70	.030
1.15	.060
2.03	.080
2.28	.090
3.04	.120
3.55	.140
4.82	.190
9.14	.360
9.39	.370
15.74	.620
46.48	1.830
46.99	1.850

APPLICABLE SAE STANDARD OR RECOMMENDED PRACTICE SAE J259

956-5124

COLE-HERSEE CO.  
N.P.M.



METRIC

NOTE:  
1. O-RING SEALED.

2. ALL STEEL PARTS PLATED DO NOT SCALE

LET	WAS	DATE	BY	LET	WAS	DATE	BY	MATERIAL	DRAWN	CHECKED	APPRV'D	SCALE	BASIC 956-5115 EXCEPT O-RING SEALED	DATE DRAWN
				D	ECN#00138	3/11/75	KF	—	KG	11-5-75		FULL		11-4-75
				C	HOLE ADDED / J50239	12/23/80	LH	FINISH						
				B	ECN 25189	8-19-92	JH	—						
				A	HOUSING ISSUED	8-17-82	PS	TOLERANCES						
						3-3-77	PS	FRACTIONAL ±						
								DECIMAL ±.25						
<b>COLE-HERSEE COMPANY</b> BOSTON, MASS. 02127, U.S.A.													DATE BLUEPRINT	
<b>IGN. START SWITCH</b>													956-5124	