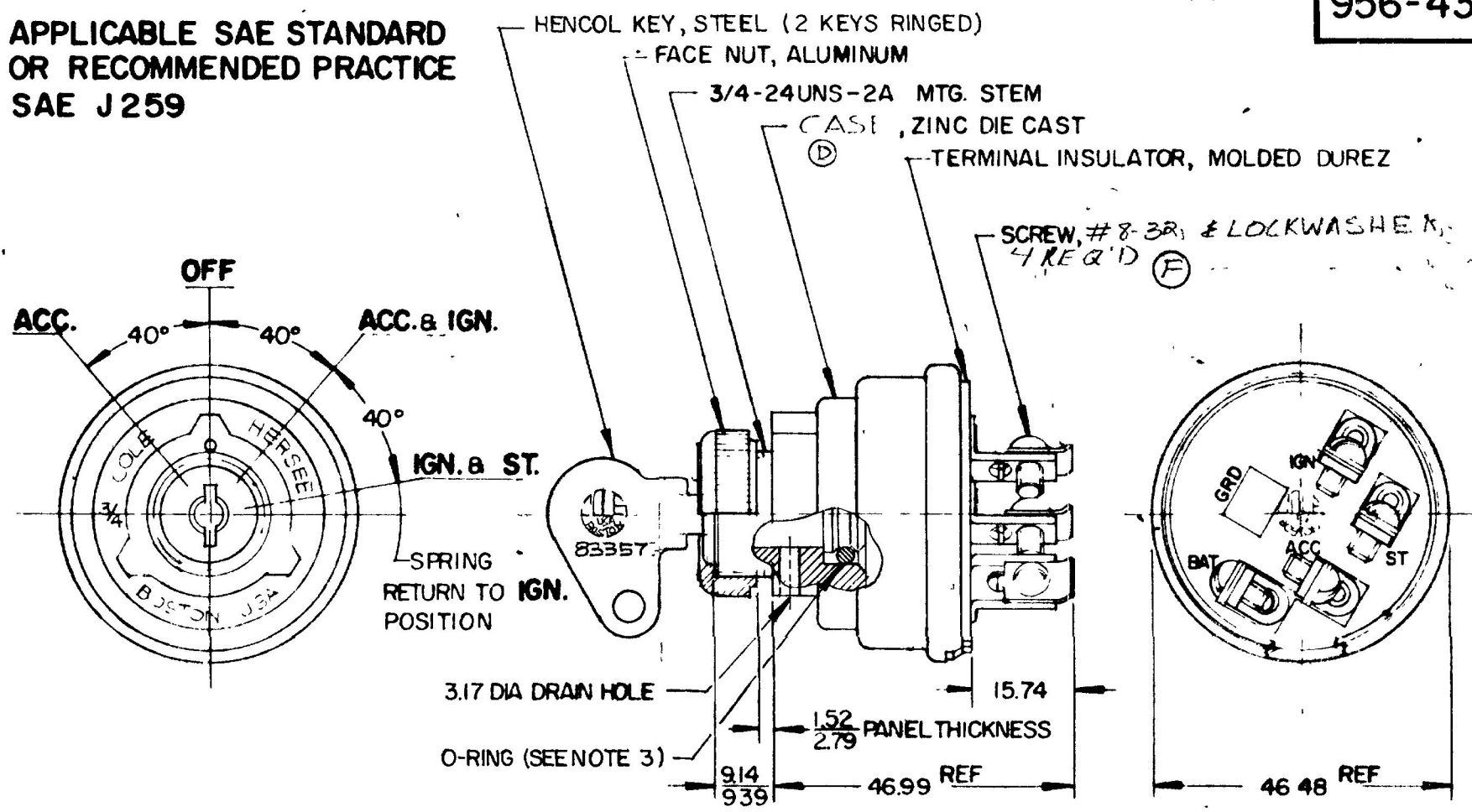


MM	IN
0.25	.010
1.27	.050
2.79	.110
3.17	.125
9.14	.360
9.39	.370
15.74	.620
46.48	1.830
46.99	1.850

956-4307

APPLICABLE SAE STANDARD
OR RECOMMENDED PRACTICE
SAE J259



RATINGS AT 12 V.D.C.	
ACC. CIRCUIT	10 AMPS
IGN. "	10 "
ST. "	5 "

METRIC

NOTES:

- 1 TERMINAL INSUL GASKET SEALED
- 2 ALL STEEL PARTS PLATED
- 3 SHAFT O-RING SEALED TO HOUSING.

DO NOT SCALE

LET	WAS	DATE	BY	LET	WAS	DATE	BY	MATERIAL	DRAWN	APPRVD	SCALE	DATE DRAWN
								#	CF	6-1-79	11	12-12-66
				F	ECN 00137	3/1/00	HA	FINISH				DATE BLUEPRINT
				I	CAD OR ZINC / 25234	12/18/92	111	#				
				D	HOUSING	8-16-82	PB	TOLERANCES				
				C	REDRAWN	5-21-79	JV	DECIMAL ± .010				
								METRIC ± .25				

CH Cole Hersee Co.
3700 AVENUE SIX - BOSTON, MASS. U.S.A. 02134

**4- POSITION
IGNITION & START SWITCH**

956-4307

CH 188(4 78)