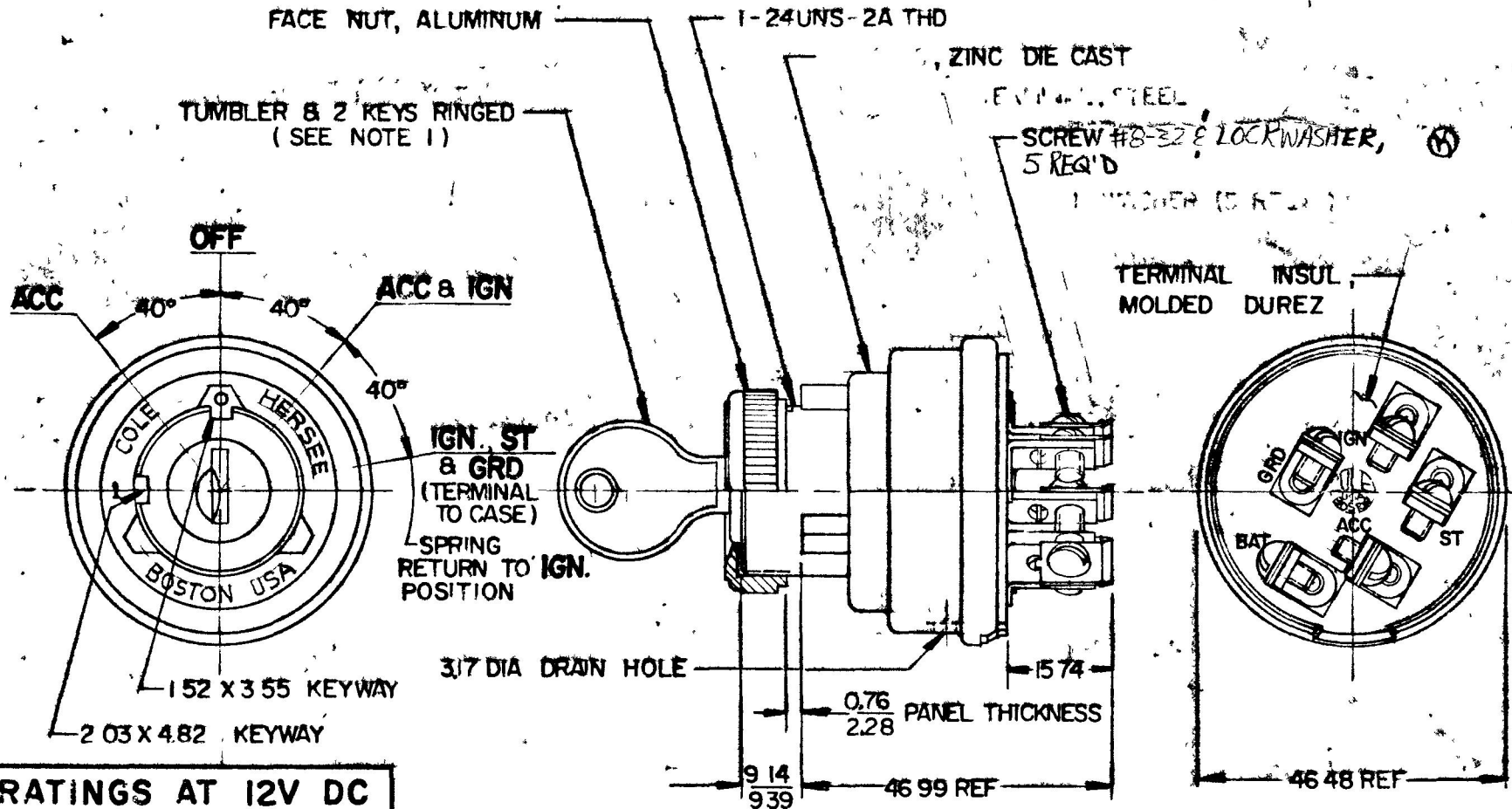


MM	N
0.25	.00
0.76	.030
1.52	.060
2.03	.080
2.28	.090
3.17	.125
3.55	.140
4.82	.190
9.14	.360
9.59	.370
15.74	.620
46.48	1.830
46.99	1.850

APPLICABLE SAE STANDARD OR RECOMMENDED PRACTICE SAE J259

956-4154



RATINGS AT 12V DC

ACC CIRCUIT	10 AMPS
IGN CIRCUIT	10 AMPS
ST CIRCUIT	5 AMPS
GRD CIRCUIT	1 AMP

METRIC

NOTES:

- 1 SHUTTER TYPE SEAL ON LOCK FACE
- 2 ALL STEEL PARTS PLATED WITH GALV. PLATE

DO NOT SCALE

LET	WAS	DATE	BY	LET	WAS	DATE	BY	MATERIAL	DRAWN	CHECKED	APPR'D	SCALE	DATE DRAWN
								—H—	C F	4/13/78		FULL	2-23-67
								FINISH	COLE-HERSEE COMPANY				DATE BLUEPRINT
									BOSTON, MASS 02127, U.S.A.				
								TOLERANCES	4-POSITION				956-4154
								FRACTIONAL ±	IGNITION & START SWITCH				
								DECIMAL ±0.25					