

RATING AT 12 V.D.C.

ACC CIRCUIT	20 AMPS
IGN. CIRCUIT	20 AMPS
ST. CIRCUIT	20 AMPS

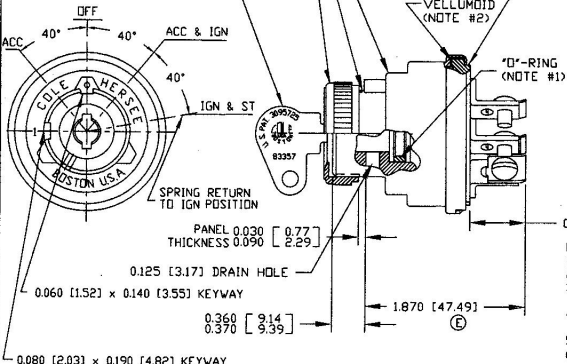
TERMINAL INSULATOR, BROWN

HENCOL KEY (2 KEYS RINGED)

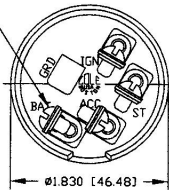
FACE NUT, ALUMINUM

 1-24-UNS-2A THD
 CASE, ZINC DIE CAST
 GASKET,
 VELLUMOID
 (NOTE #2)

 O-RING
 (NOTE #1)

 SCREW #8-32 &
 LOCKWASHER, 4 REQ'D


0.620 [15.74]



- NOTES:
1. SHAFT O RING SEALED TO HOUSING
 2. TERMINAL INSULATOR GASKET SEALED
 3. SILVER LAMINATED CONTACT SURFACE AT TERMINALS
 4. SOLID SILVER RIVETS ON MOVING CONTACT
 5. ALL STEEL PARTS PLATED
 6. ALL DIMENSIONS REFERENCE ONLY UNLESS NOTED OTHERWISE

Tolerances: Unless otherwise specifically noted, the following are default tolerances:
 * 2-place Decimal Dimensiones - ".XX"
 * 3-place Decimal Dimensiones - ".XXX"
 * Angular Dimensiones - ".1 Deg."
 * Metric: Refer to equivalent English Dimension Tolerance
 *** NOTE: All tolerances are *Non-Cumulative*. ***

Dimensional Units: All dimensiones are expressed in inches except those shown in brackets (mm) are expressed in millimetres.

IMP. or Metric: Non-Tolerance Reference Dimension, shown for distribution purposes only.

Used On or Ref.: **TERM INSUL & SILVER CONTACTS**

Scale: **1:1**

PROPRIETARY INFORMATION: This Engineering Drawing, and the information contained herein, is proprietary to Cole Hersee Company and may not be obtained, reproduced, or in any other way transmitted or communicated to any other party without the express written consent of an authorized representative of Cole Hersee Company.

DESIGN CONTROL: It is the responsibility of the individual using/referencing this drawing to ensure that the noted design revision level agrees with the revision level of the Controlled Document (Master Drawing). This is a **NON-CONTROLLED DOCUMENT** unless otherwise specifically noted.

DO NOT SCALE! - Dimensional variation may occur during printing/reproduction.

Drawn: **VK**
 Date: **9/5/78**

Key for Special Characteristics:

- ⊕ Critical Characteristics, relating to Safety under Regulatory Compliance
- ⊗ Significant Characteristics relating to Process Control (SPC)
- ⊙ Control Dimension relating to Form - Fit - Function as defined by Cole Hersee Company and/or the Customer

Note that the identification of any Characteristics as being "Special" does not alter the requirement that ALL specified dimensiones & tolerances must be met.

Responsible Engineer: **N/A**
 Pg. 1 of 1

Revision Control Record

Rev.	Description of Change	ECN No.	Date
E	FIXED DIMENSION	01438	7/26/01

Cole Hersee Co.
 20 Old Colony Ave., South Boston, MA, 02127
 Ph: 617-288-2100 Web: www.colehersee.com

Description: 4 POSITION IGNITION & START SWITCH

Drawing / Part No.: **956-4141**

Current Rev.: **E**