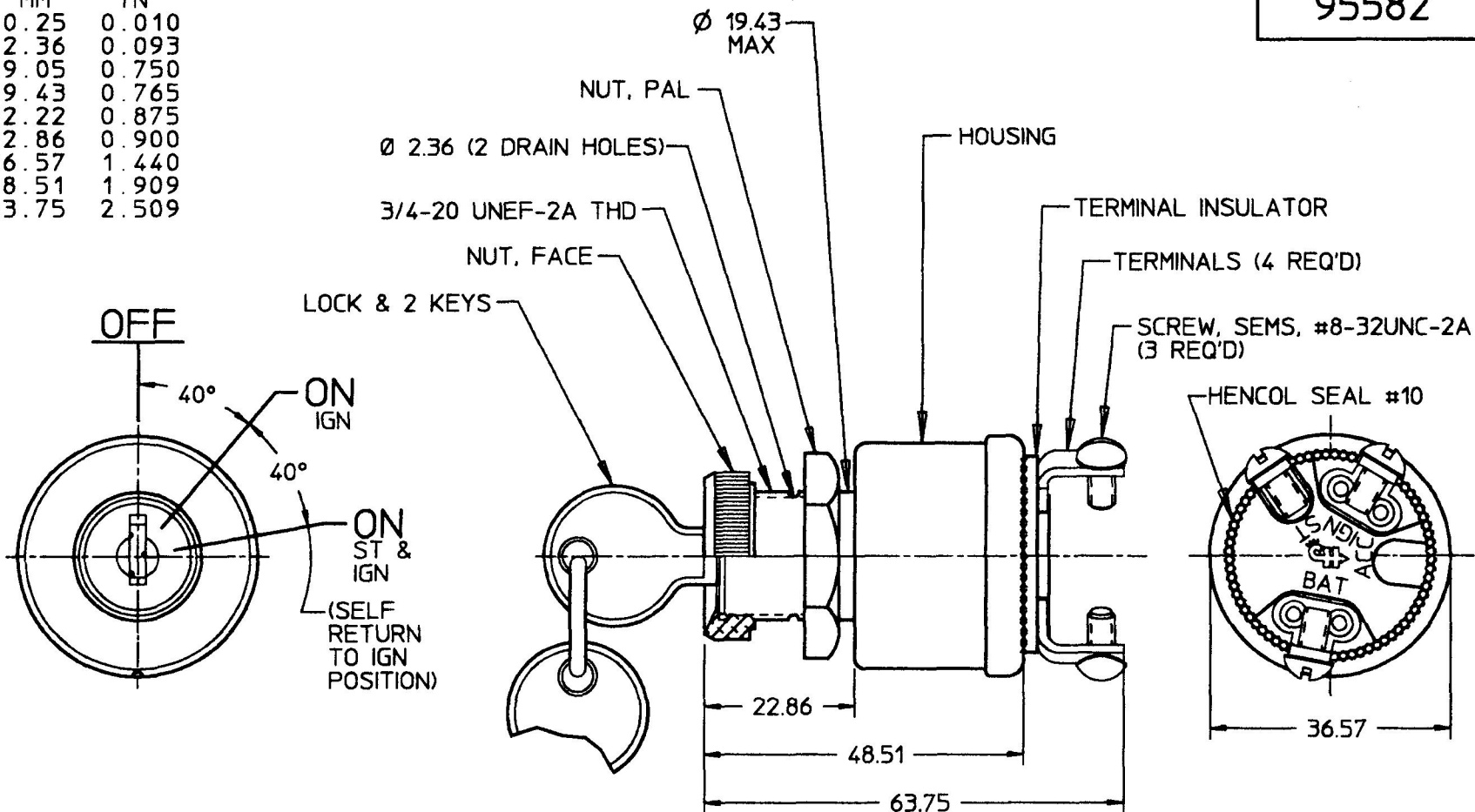


95582

MM	IN
0.25	0.010
2.36	0.093
19.05	0.750
19.43	0.765
22.22	0.875
22.86	0.900
36.57	1.440
48.51	1.909
63.75	2.509



NOTES:

1. ALL STEEL PARTS EITHER ZINC PLT, DICHROMATE DIP. OR CAD PLT
2. ADAPTER FACE NUT PERMITS SWITCH TO BE MOUNTED TO Ø 19.05 & 22.22 PANEL HOLES
3. "O" RING SEALED AT MOUNTING STEM
4. APPLICABLE SAE STANDARD OR RECOMMENDED PRACTICE SAE J259

DO NOT SCALE

METRIC

LET.	WAS	DATE	BY	LET.	WAS	DATE	BY	MATERIAL	DRAWN	CHK	APVD	SCALE	DATE DRAWN
									RZ	AP		1:1	7/2/65
								FINISH	<b>Cole Hersee Co.</b> 20 OLD COLONY AVENUE, BOSTON, MA., U.S.A., 02127				DATE BLUEPRINTED
				N	PUT ON CAD ECN# 26017	11/2/95	JPT	TOLERANCES DECIMAL ±0.25 ANGLE ±	SW, ROT, 3 POS				95582