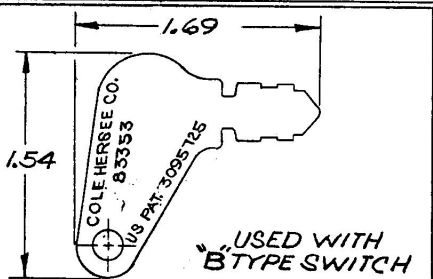
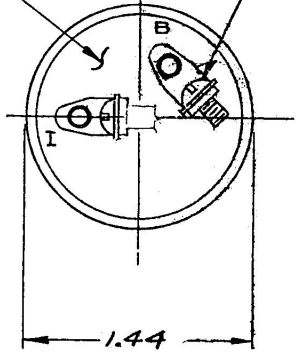
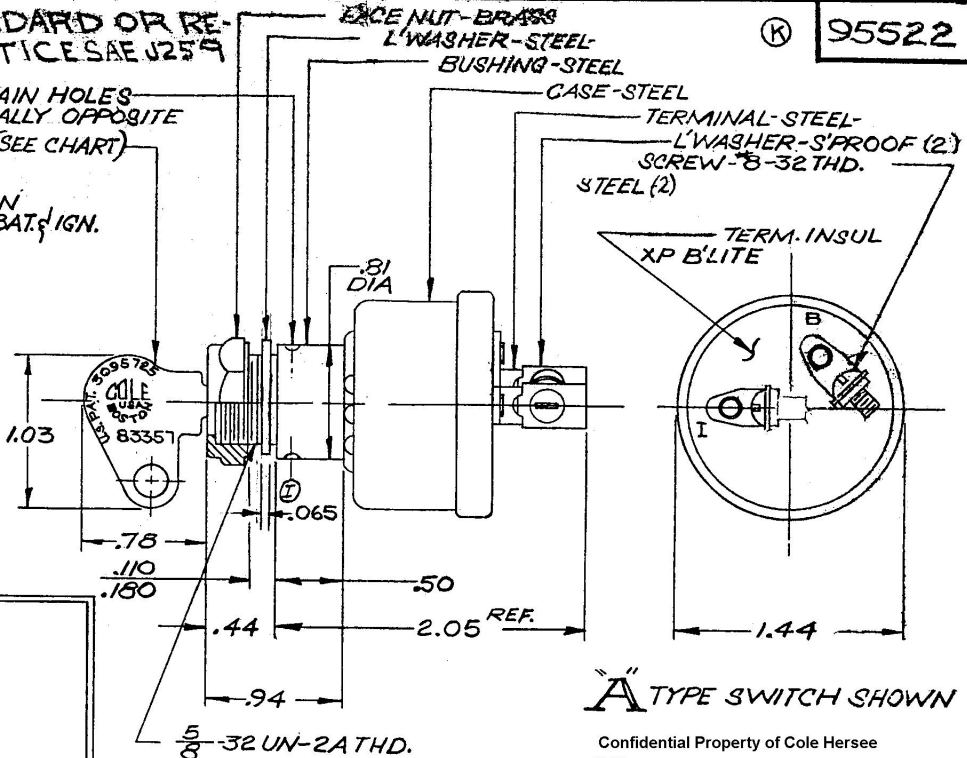
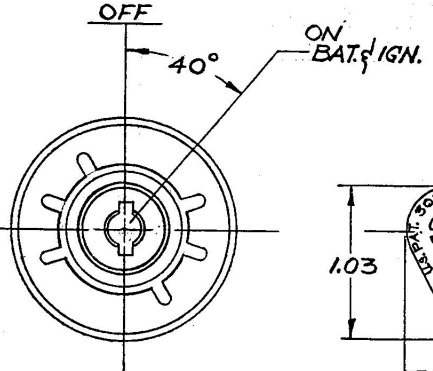


COLE-HERSEE CO. TSE #147

APPLICABLE SAE STANDARD OR RECOMMENDED PRACTICE SAE J259

(K) 95522

(2) .125 DIA DRAIN HOLES DIAMETRICALLY OPPOSITE  
KEY-STEEL (SEE CHART)



OPTIONAL KEY

NOTE:  
1. O'RING SEALED AT BUSHING  
2 ALL STEEL PARTS PLATED  
10 AMPS @ 12 VDC

A TYPE SWITCH SHOWN

Confidential Property of Cole Hersee

95522 B	83353-2 KEYS RINGED
95522A	83357-2 KEYS RINGED
95522 BASIC	_____
SWITCH NO.	KEY PART NO.

DO NOT SCALE

LET	WAS	DATE	BY	LET	WAS	DATE	BY	MATERIAL	DRAWN	CHECKED	APPR'D.	SCALE	DATE DRAWN
				L	NOTE 2 ADDED / 25234	11/17/92	TN	FINISH	EA	✓		FULL	12-12-62
				K	CAD 118606	6-12-74	DD						DATE BLUEPRINT
				J	SAE SPEC ADDED	3-14-74	JL						
				Z	REV 118038	3-5-79	RB	TOLERANCES FRACTIONAL ± DECIMAL ± 01					
				H	REDRAWN NO CHANGE	2-16-72	CT						

COLE-HERSEE COMPANY  
BOSTON, MASS. 02127, U.S.A.

WEATHERPROOF  
IGNITION SWITCH

95522