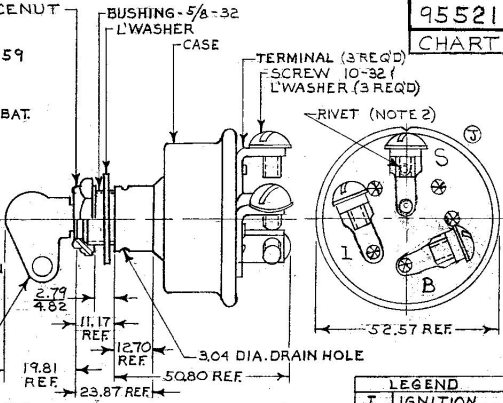
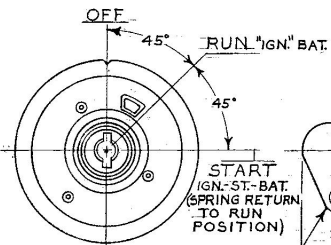


95521  
CHART

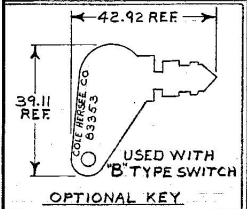
MM IN  
2.79 .110  
3.04 .120  
4.82 .190  
11.17 .440  
12.70 .500  
19.81 .780  
23.87 .940  
39.11 1.54  
42.92 1.69  
50.80 2.00  
52.57 2.07

APPLICABLE SAE STANDARD OR  
RECOMMENDED PRACTICE SAE J259



METRIC

KEY (SEE CHART)



"A" TYPE SWITCH SHOWN

- NOTES:
1. KEY REMOVABLE IN "OFF" POSITION ONLY.
  2. SILVER LAMINATED CONTACT SURFACES AT START POSITION.
  3. "O" RING SEALED AT MTG. STEM.
  4. DESIGNED FOR MAX. OF 70 AMP AT "START" CIRCUIT (MAY PERMIT ELIMINATION OF SOLENOID).
  5. ALL STEEL PARTS PLATED.
  6. RATING: 70 AMPS @ 12VDC (COMBINED LOAD).

LEGEND	
I	IGNITION
S	START
B	BATTERY

95521-B	83353 2 KEYS RINGED
95521-A	83357 2 KEYS RINGED
95521 BASIC	
SWITCH NO.	KEY PART NO.

DO NOT SCALE

LET.	WAS	DATE	BY	LET.	WAS	DATE	BY	MATERIAL	DRAWN	CHECKED	APPROVD.	SCALE	DATE DRAWN
								PH	T.N.			1:1	11-26-62
								FINISH					DATE BLUEPRINT
								TOLERANCES	 COLE HERSEE CO. 2015 COLONY AVENUE, SOUTH BETHLEHEM, PA. U.S.A. 18017				
								DECIMAL ±					SWITCH, IGN. & ST. 3 POS.
								METRIC ±					